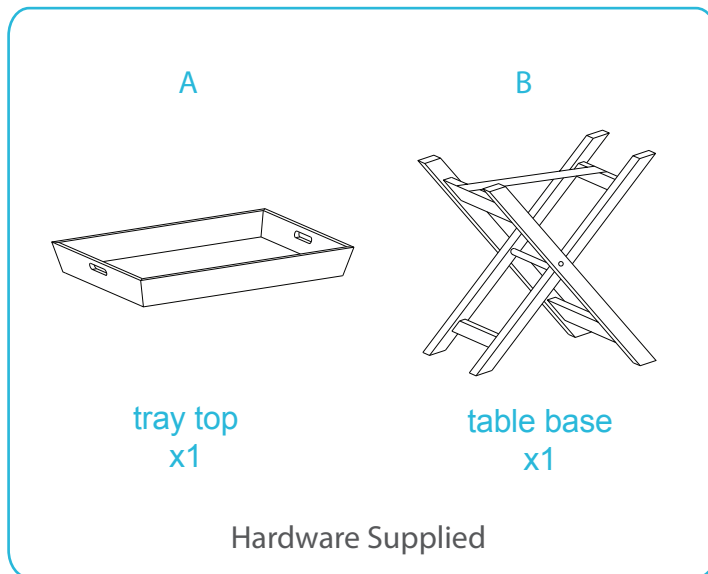


# Maya Tray

## Assembly Instructions

Thank you for your purchase.  
Please follow the instructions below for correct assembly.

# mocka

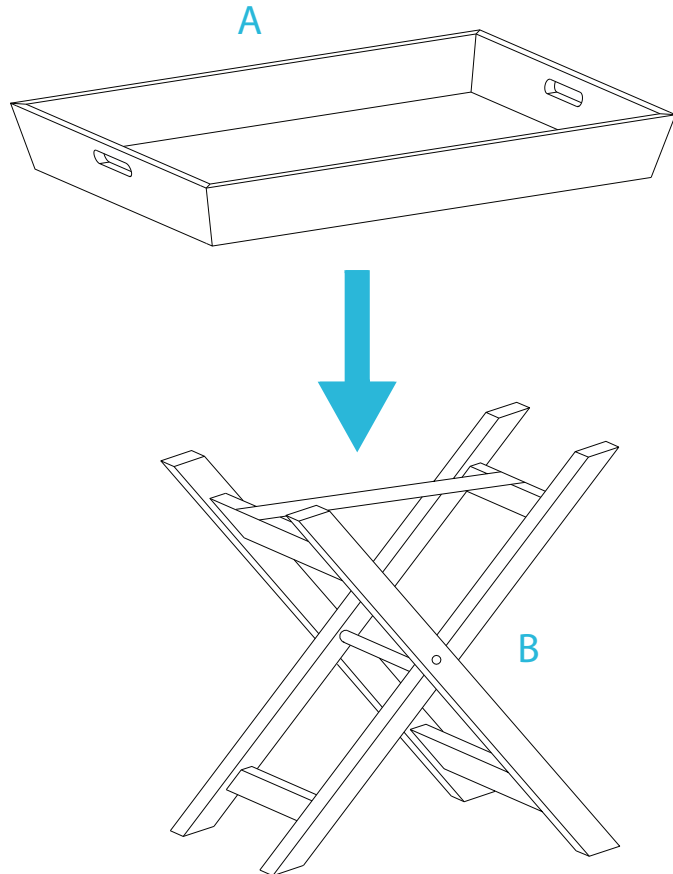


# Maya Tray

## Assembly Instructions

mocka

1



Place tray top (A) onto table base (B).

2



That's it, you're done. Enjoy!