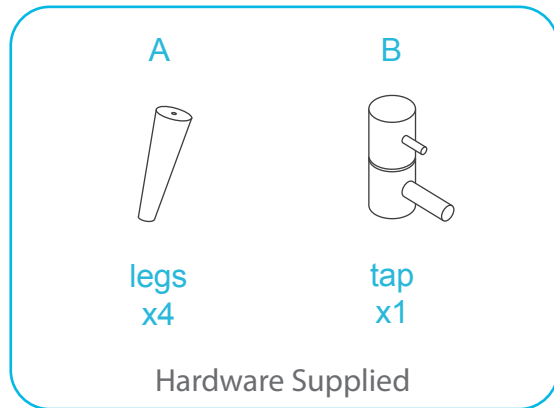


# Mezzi Kitchen

## Assembly Instructions

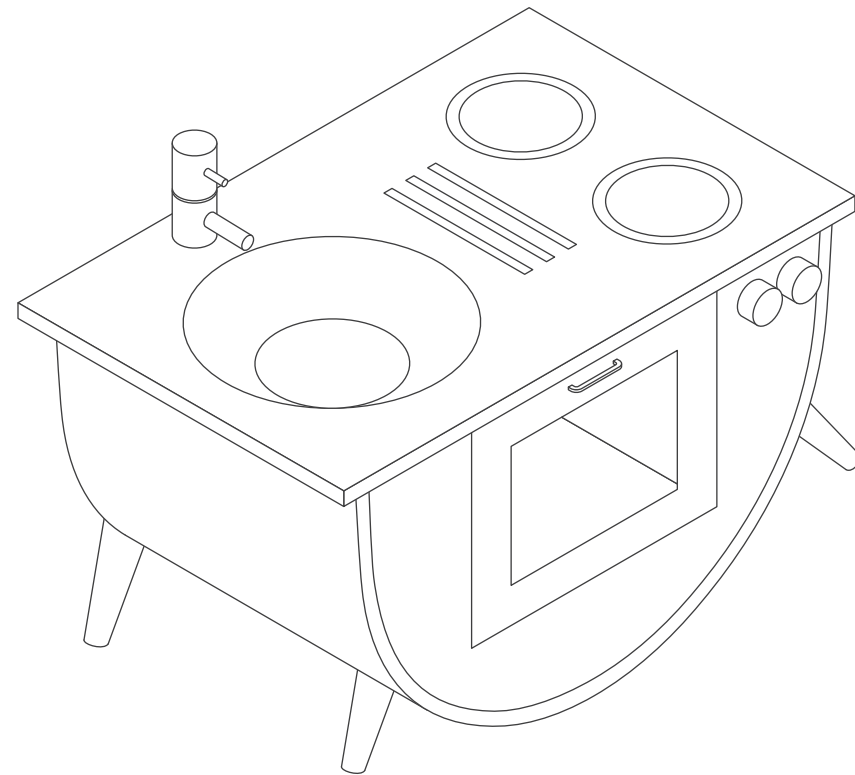
Thank you for your purchase.  
Please follow the instructions below for correct assembly.

# mocka



**WARNING:**  
Keep out of direct sunlight  
Clean with a damp cloth only

Recommended for children 12 months and over

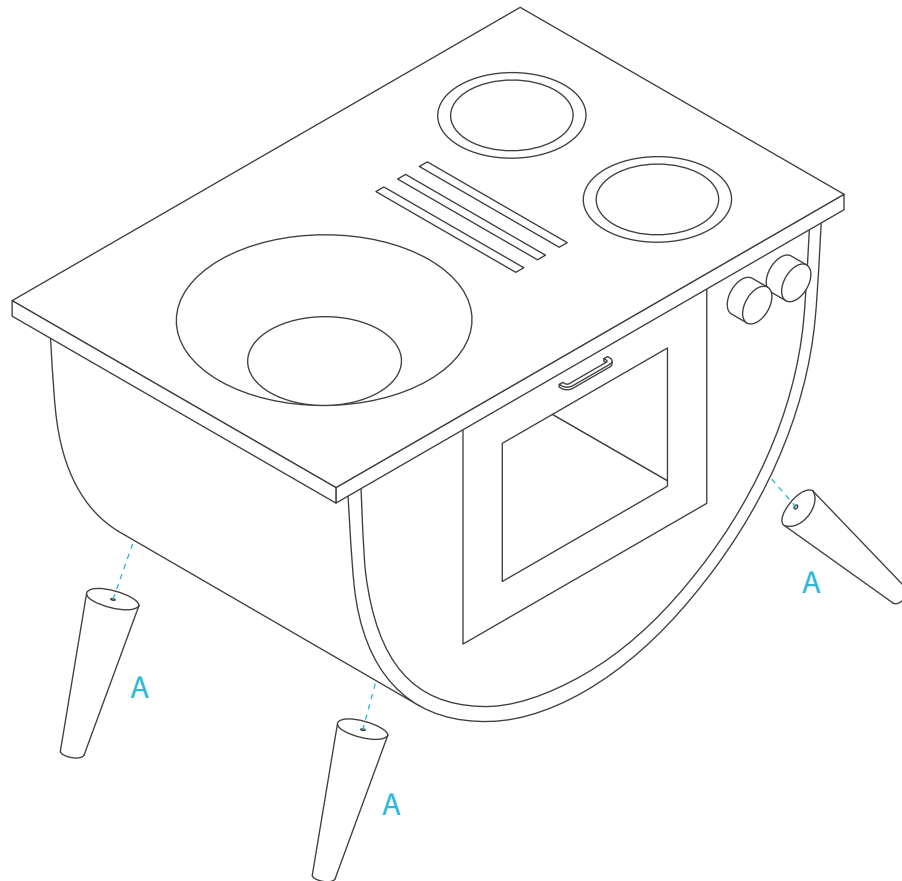


# Mezzi Kitchen

## Assembly Instructions

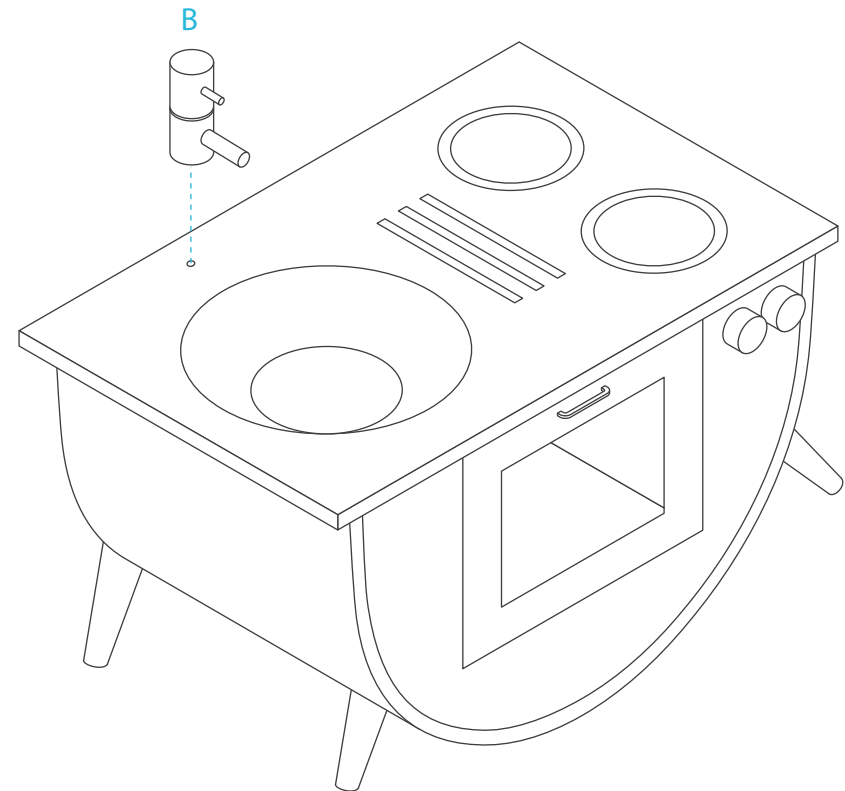
mocka

1



Attach the 4x legs (A) to the underside of the Mezzi Kitchen using the screws already attached to the body.

2



Attach the tap (B) to the table top as shown. You're done, enjoy!