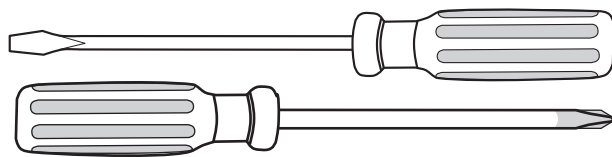
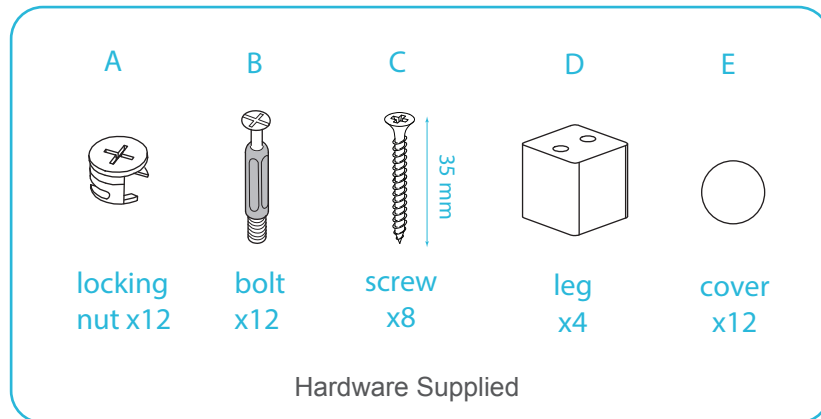


# Mocka Essentials Coffee Table

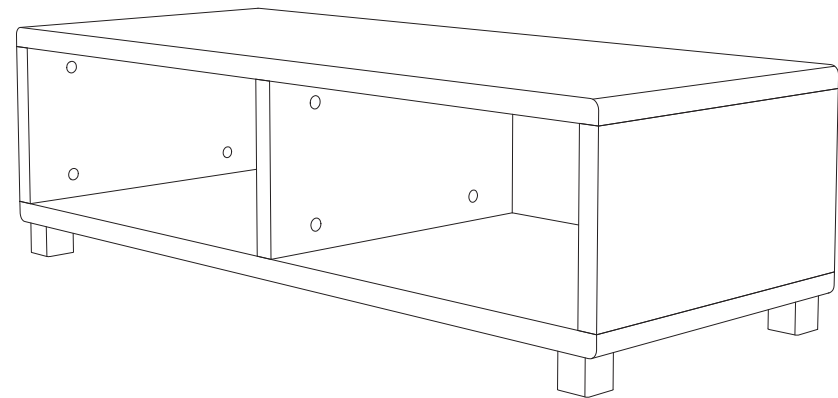
## Assembly Instructions

# mocka

Thank you for your purchase.  
Please follow the instructions below for correct assembly.



Phillips & Flathead screwdrivers required

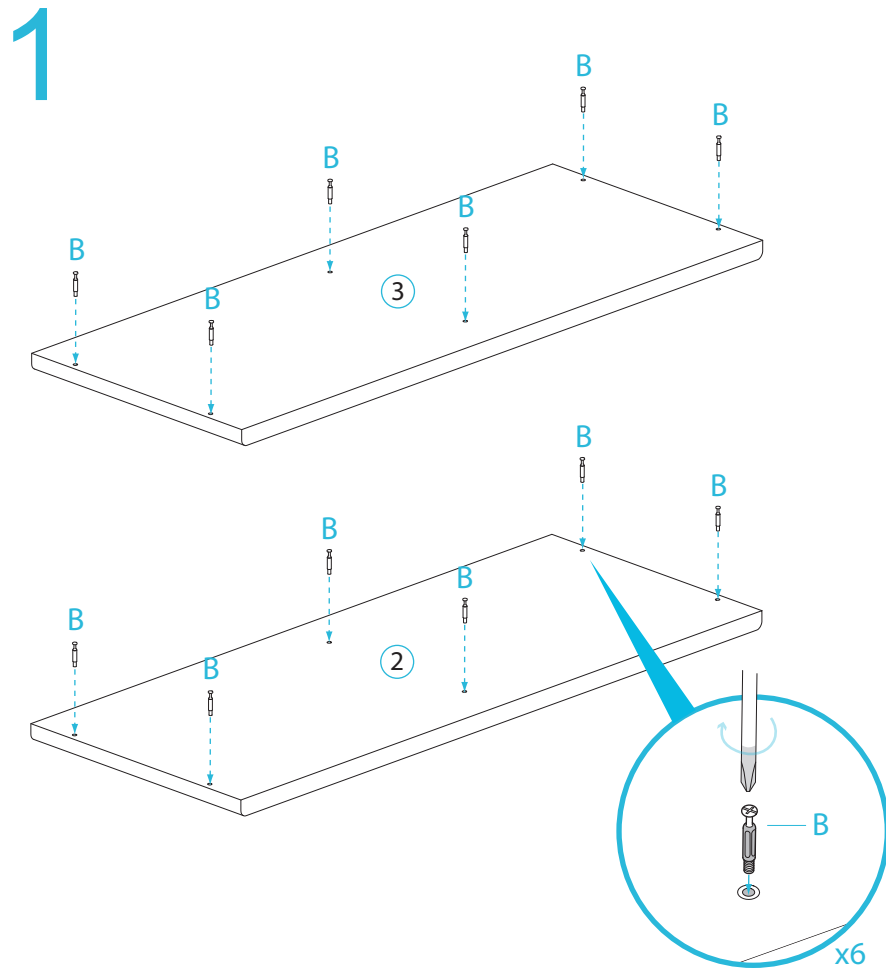


\*We recommend using a Flathead screwdriver to tighten all locking nuts 100% before first use.  
Please clear any loose wood from the locking nut holes before inserting the nut to ensure it locks 100%.

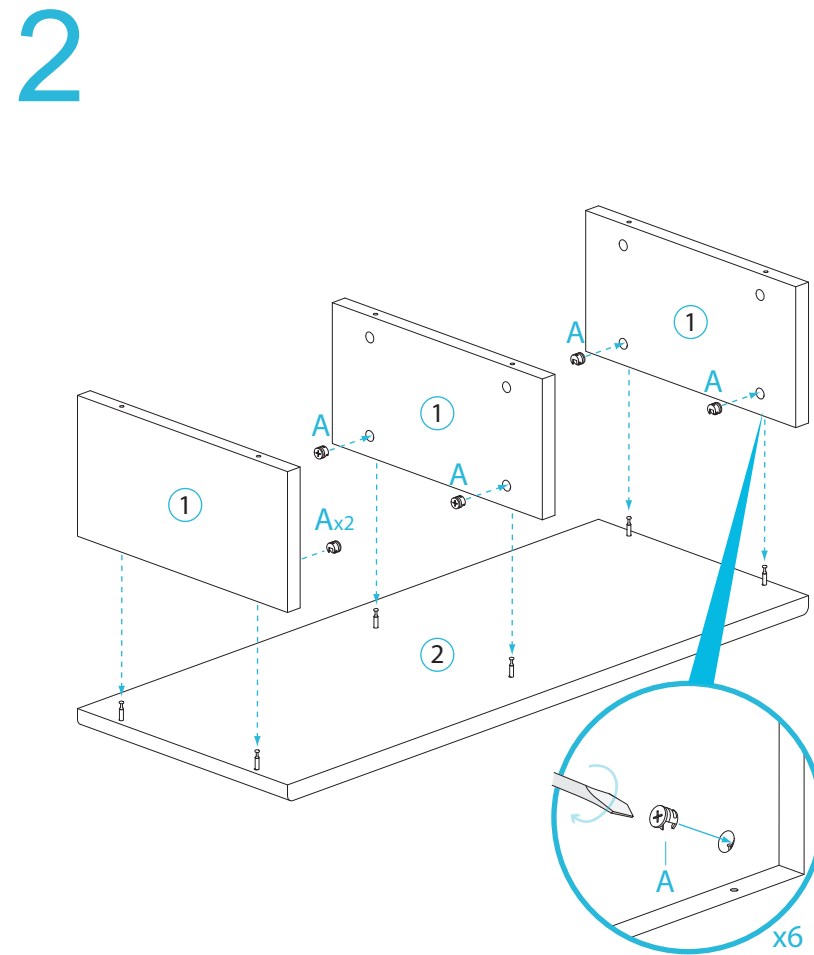
# Mocka Essentials Coffee Table

## Assembly Instructions

mocka



To begin assembly first screw in 12x bolts (B) into holes in both top and bottom panels [2 & 3].



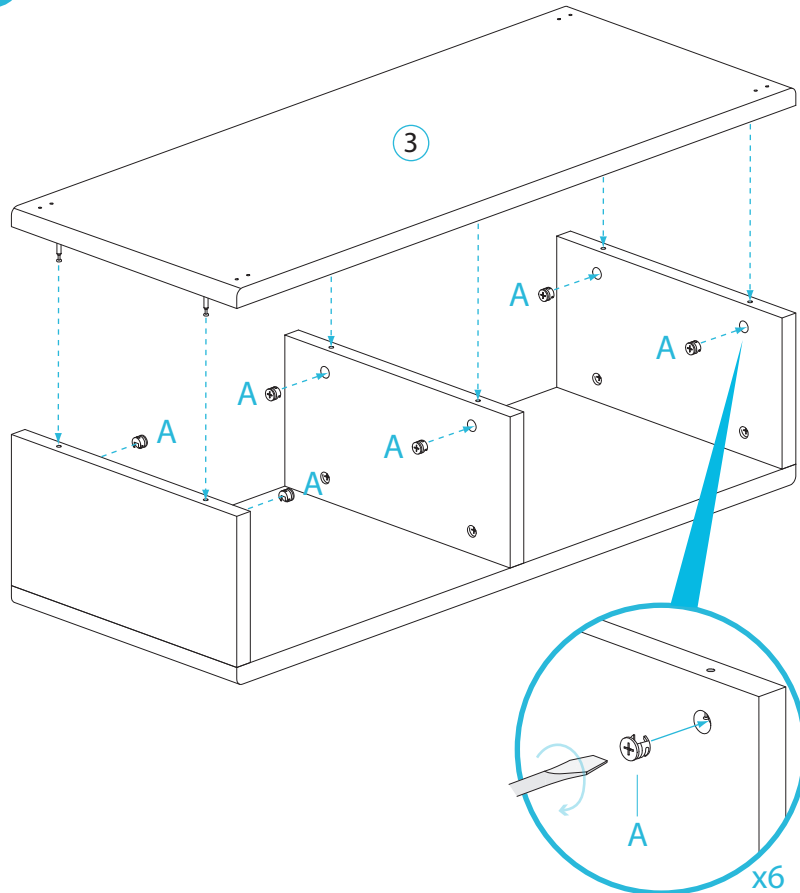
Slide three vertical panels [1] onto the screw tops in the correct position as shown. Insert 6x locking nuts (A) into the lower holes in side of panels and tighten with screwdriver.

# Mocka Essentials Coffee Table

## Assembly Instructions

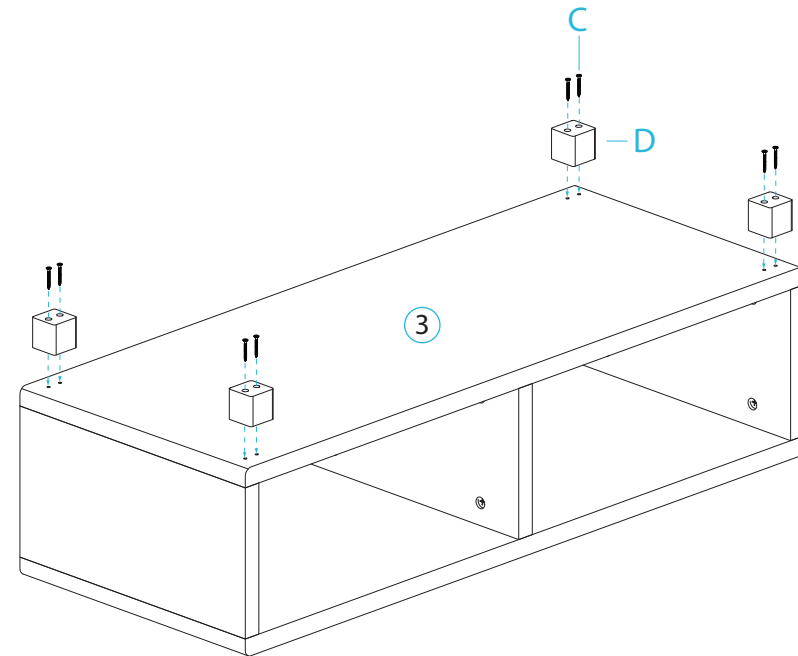
mocka

3



Place base panel [3] with bolts (B) already attached into holes on top of vertical panels. Insert 6x locking nuts (A) into remaining holes in all vertical panels [1] and tighten with screwdriver.

4



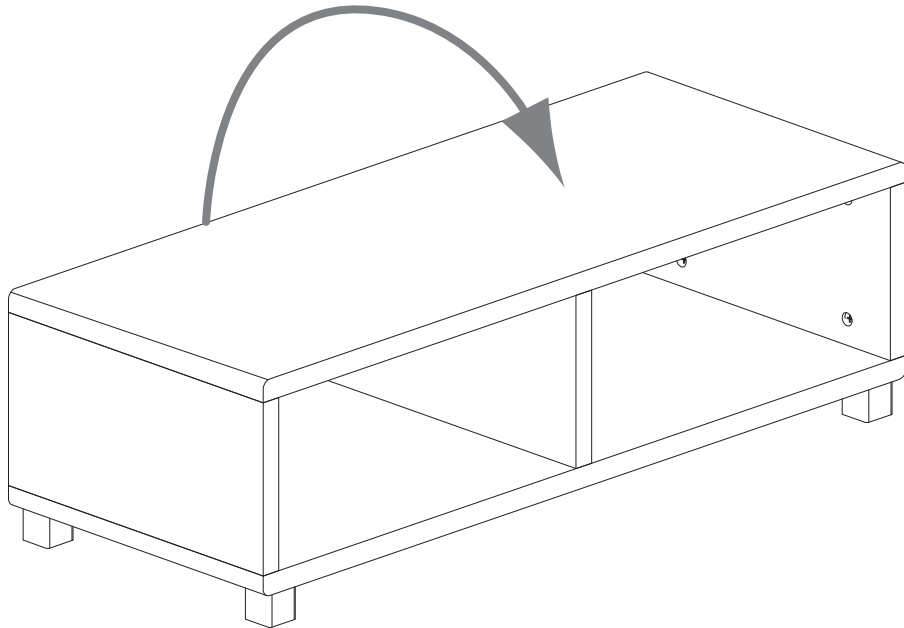
Attach all feet (D) to the base panel [3] using 2x screws (C) in each. Ensure all screws are securely tightened with a screwdriver.

# Mocka Essentials Coffee Table

## Assembly Instructions

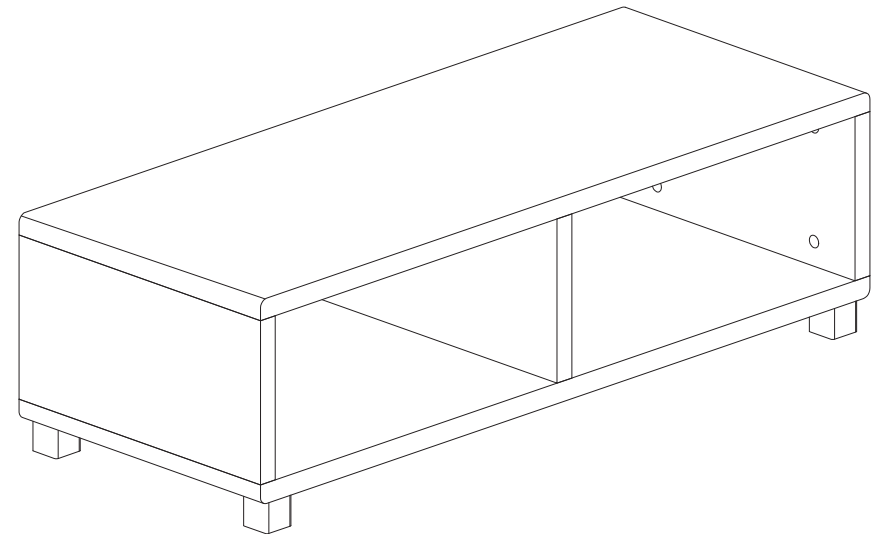
mocka

5



Flip table over so feet sit on the floor. Check all screws and hardware are secure. Lift furniture into desired position, do not drag.

6



To finish use (E) to cover the holes where hardware (A) is used. You're done, enjoy!