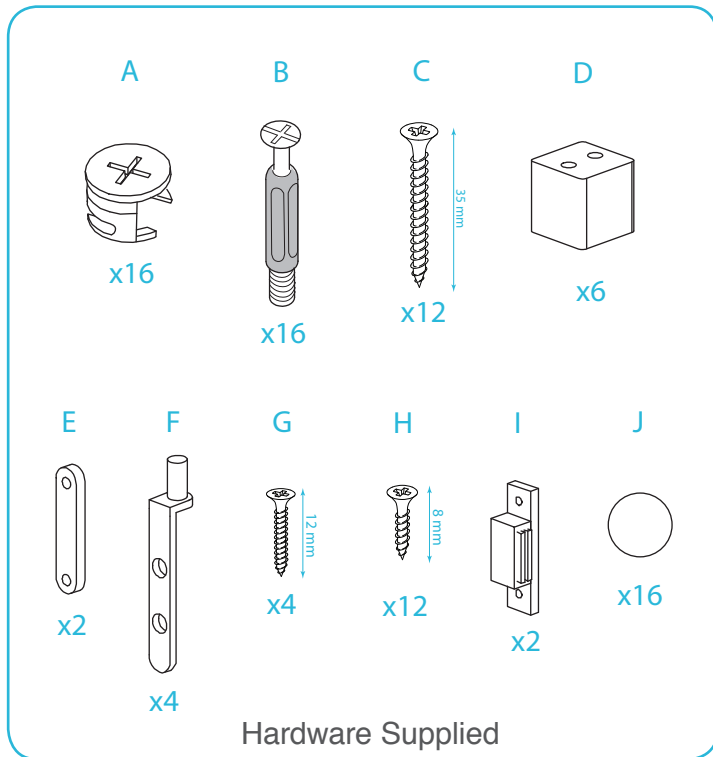


Mocka Essentials Entertainment Unit

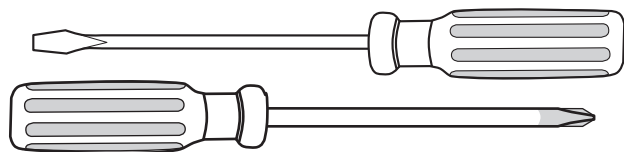
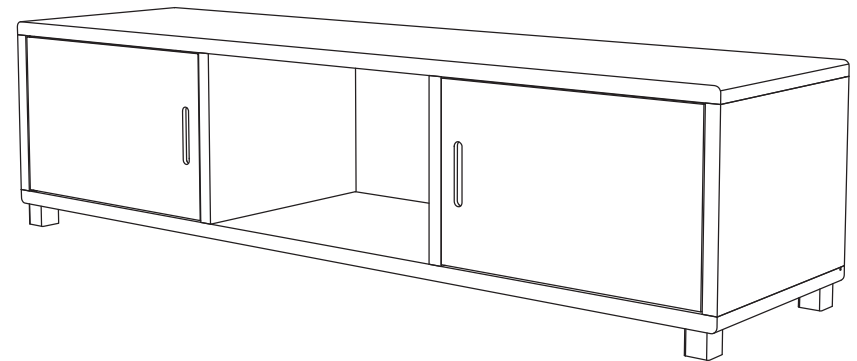
Assembly Instructions

mocka

Thank you for your purchase.
Please follow the instructions below for correct assembly.



WARNING: Any furniture that is not anchored to a wall has the potential to tip over in certain circumstances, i.e. if a child attempts to climb up on the furniture or in the event of an earthquake. Accordingly, we recommend that all furniture is anchored to a wall. We supply a free safety wall anchor with all furniture sold and we recommend these are used to prevent your product tipping. The fixing device provided should fit most wall types, but please note that different wall materials may require different fixing devices from those supplied.

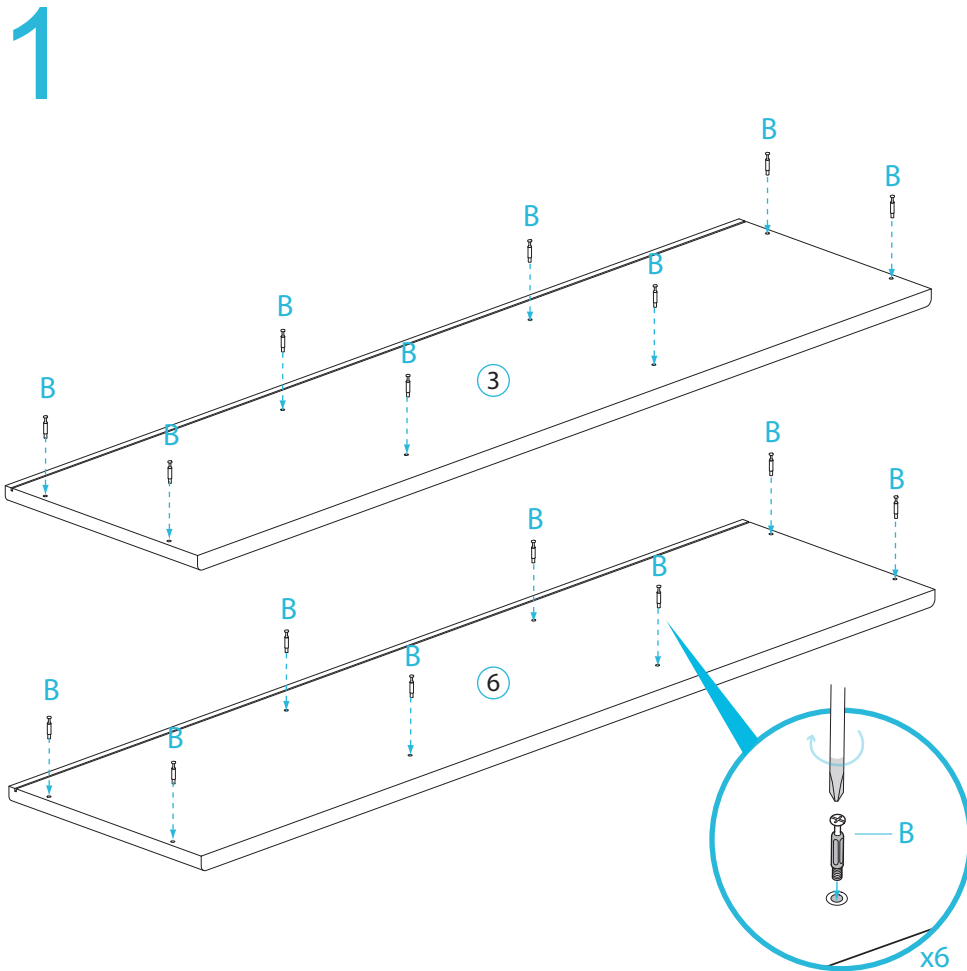


Phillips & flathead screwdrivers required

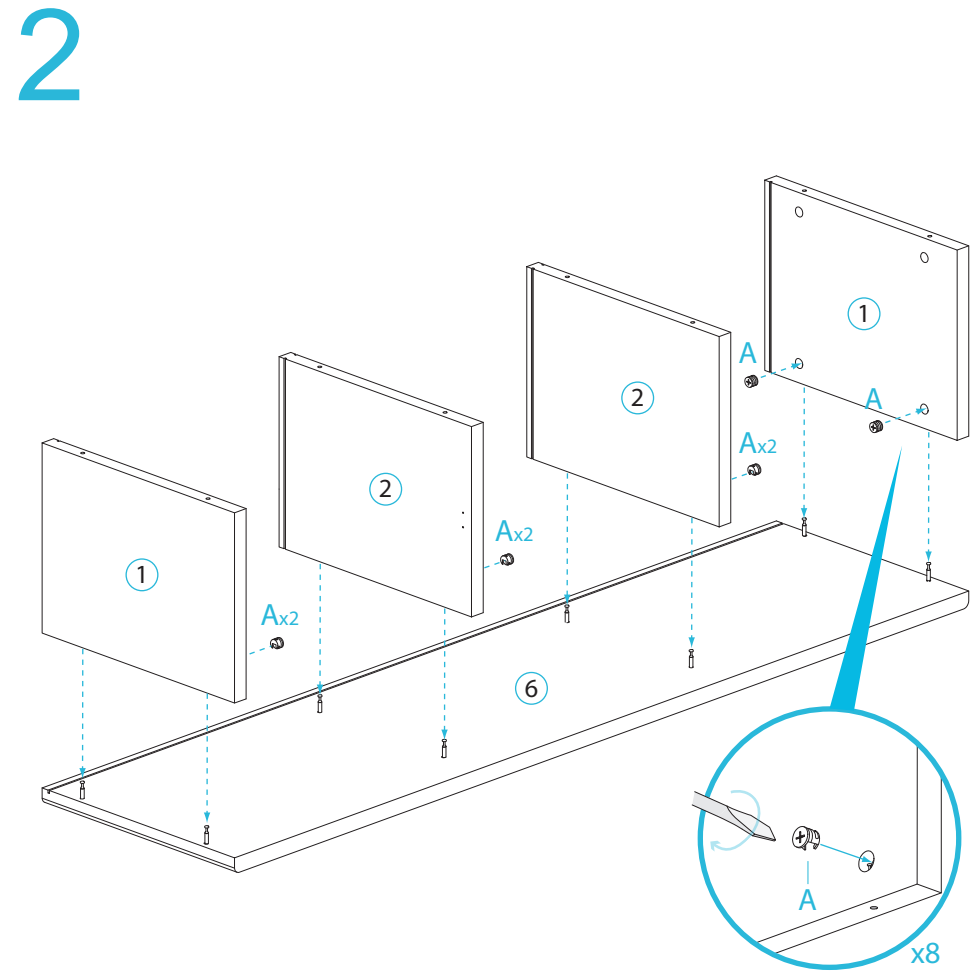
Mocka Essentials Entertainment Unit

Assembly Instructions

mocka



First screw in hardware (B) into holes in both top and bottom panels [3 & 6].



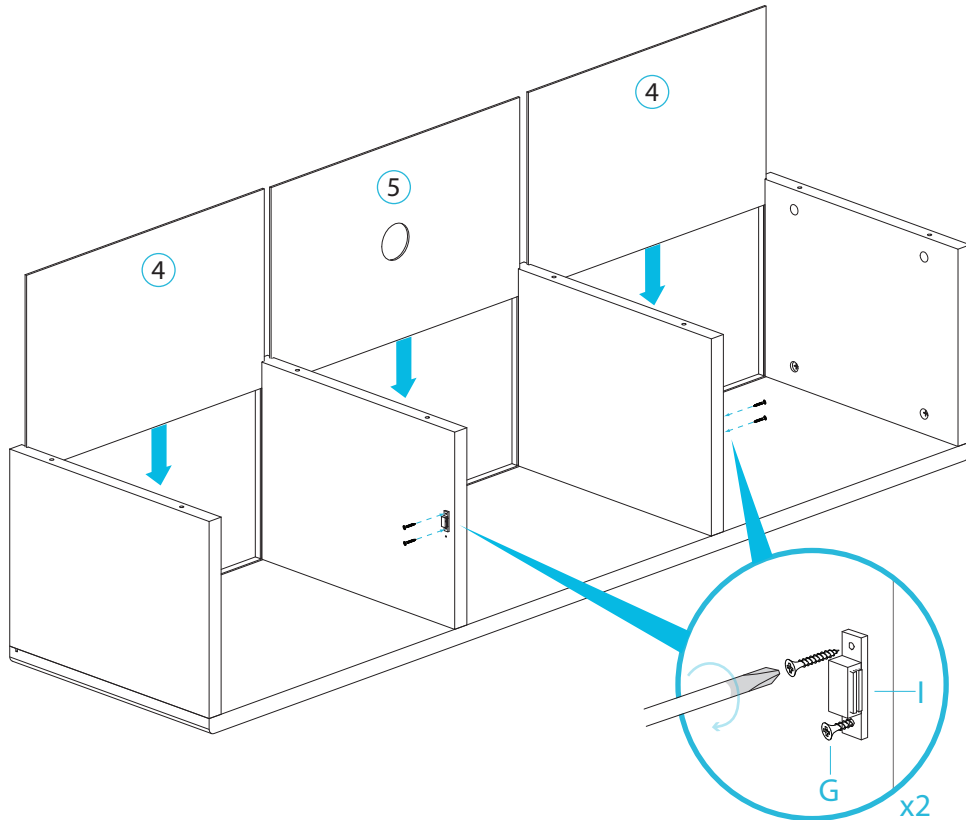
Slide four vertical panels [1 & 2] onto the screw tops in the correct position as shown. Ensure grooves in panels are all aligned at rear. Insert hardware (A) into the lower holes in side of panels and tighten with screwdriver.

Mocka Essentials Entertainment Unit

Assembly Instructions

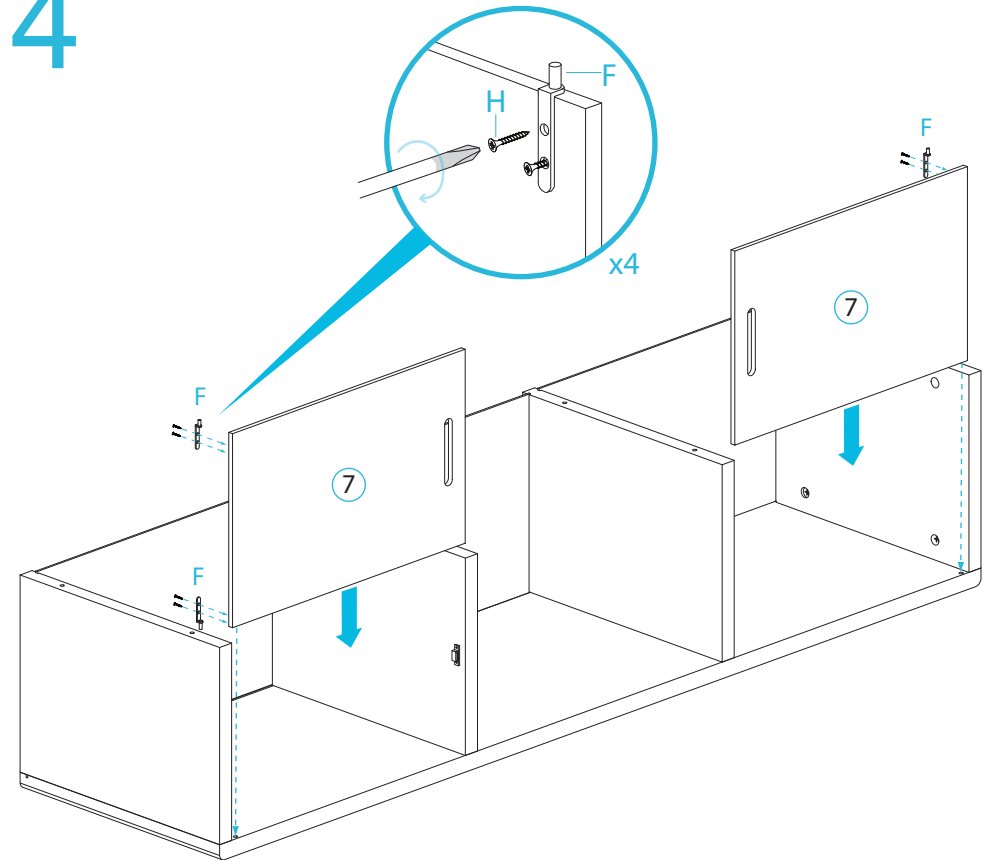
mocka

3



Slide in rear back panels [4 & 5] between vertical panels as shown. Screw in the two magnetic clips (I) into holes in the central panels using screws (G).

4



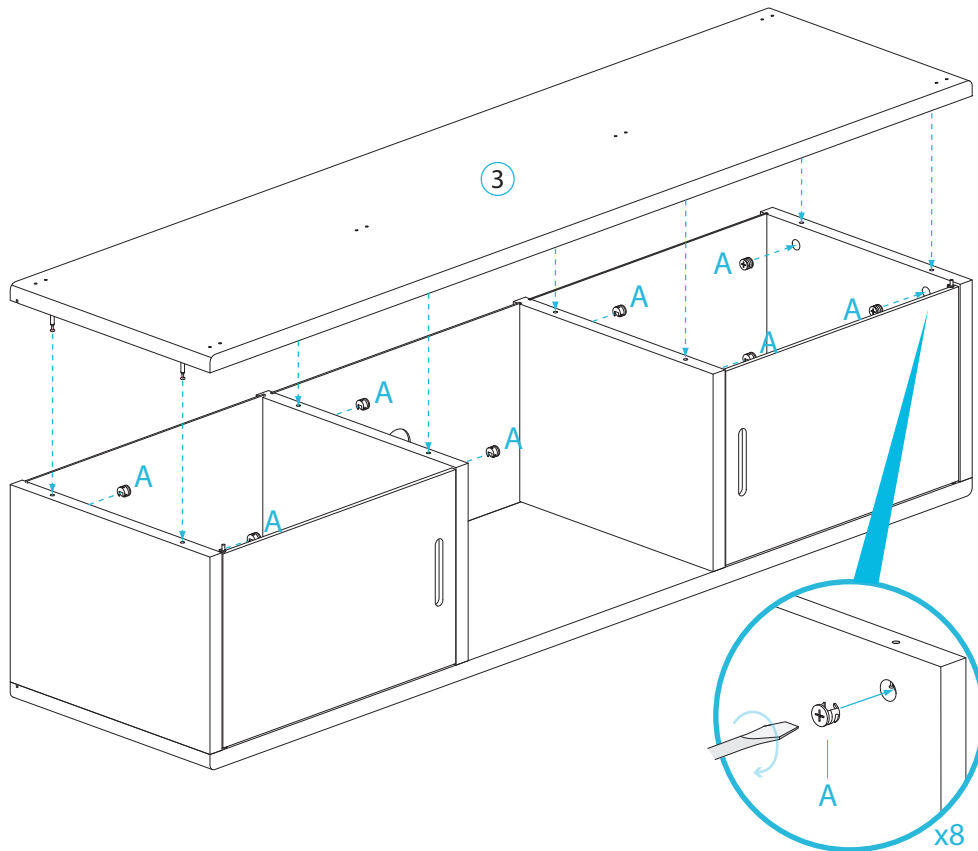
Mount door hinge pins (F) to cupboard doors [7]. Place doors into position as shown, aligning hinge pins with holes in the top panel.

Mocka Essentials Entertainment Unit

Assembly Instructions

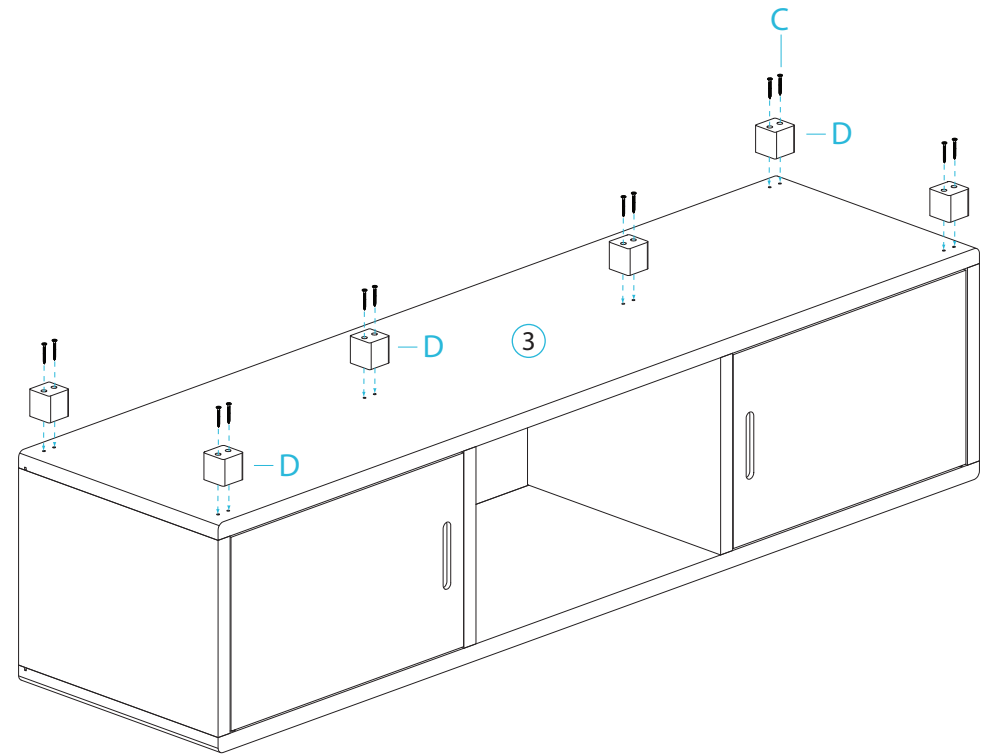
mocka

5



Place base panel [3] with hardware (B) already attached into holes on top of vertical panels. Insert 8x hardware (A) into remaining holes in all vertical panels [1 & 2] and tighten with screwdriver.

6



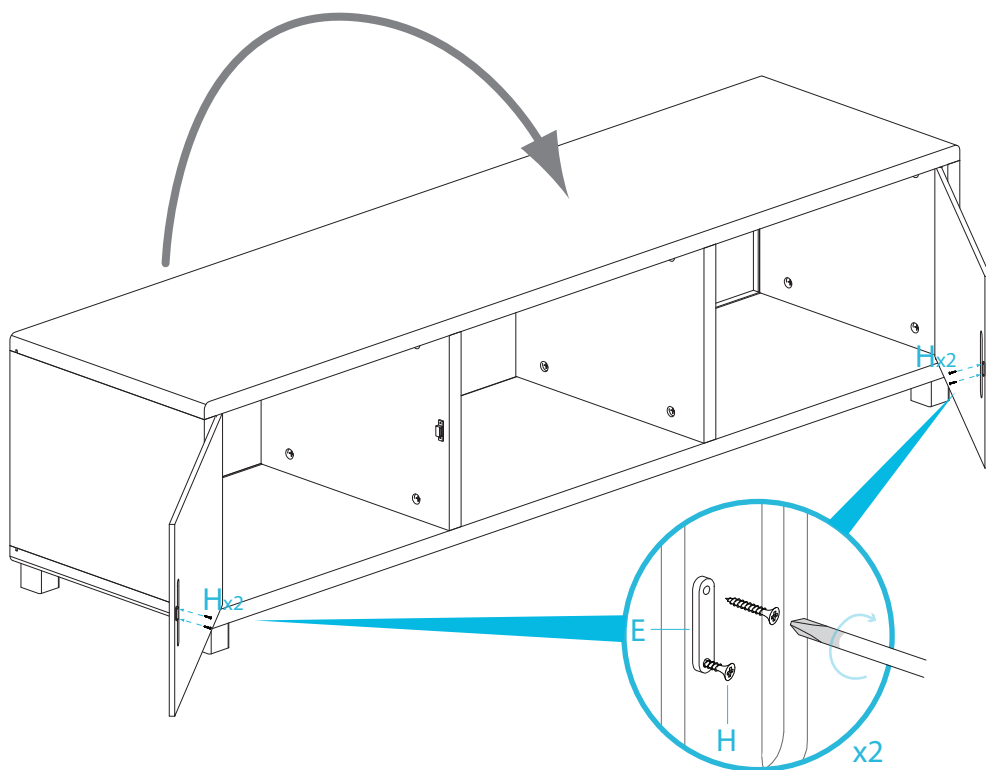
Attach all feet (D) to the base panel [3] using 2x screws (C) in each. Ensure all screws are tightened with a screwdriver.

Mocka Essentials Entertainment Unit

Assembly Instructions

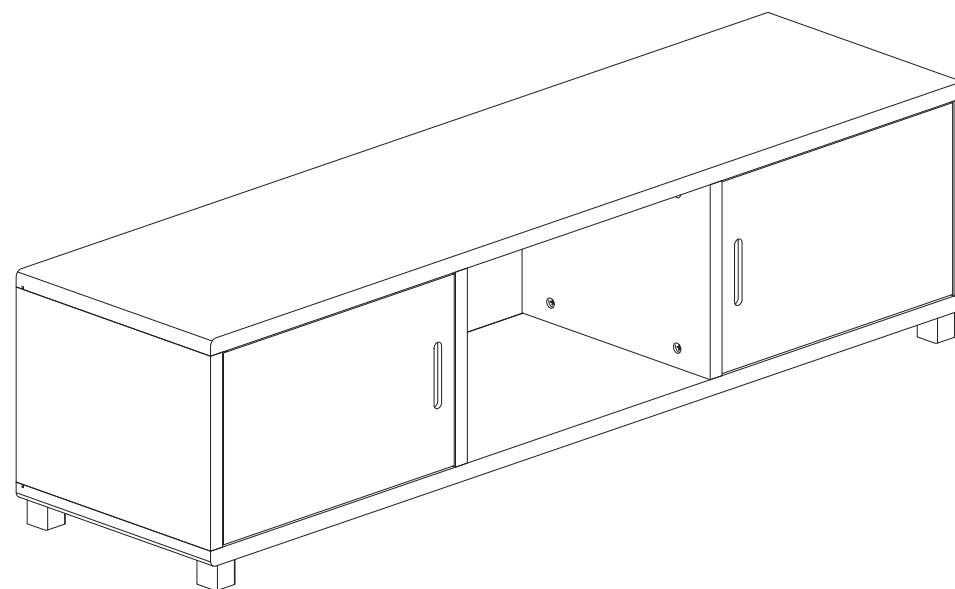
mocka

7



Flip the unit over carefully so feet sit on the floor. Fasten clip plate (E) to the cupboard door using screws (H). Check both doors swing closed.

8



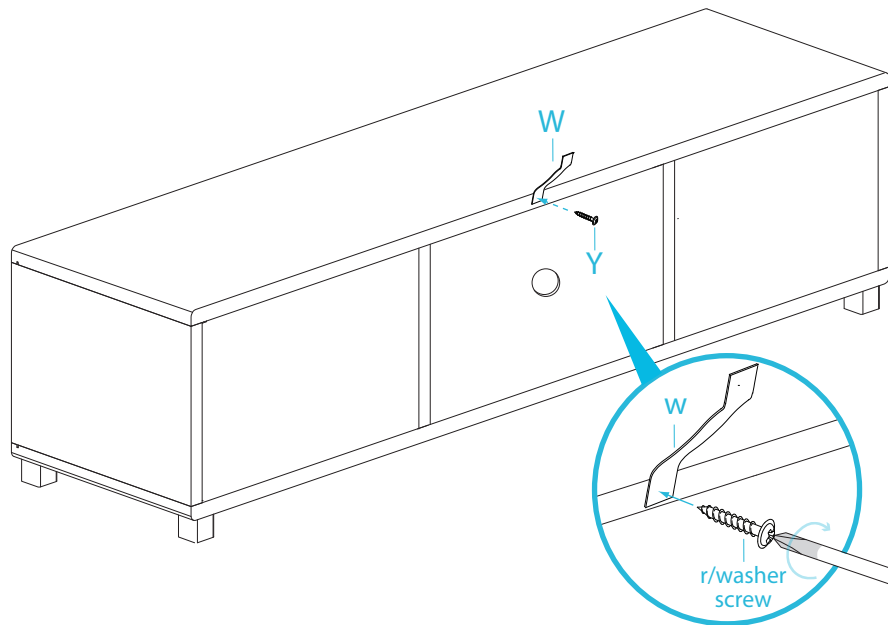
Use (J) to cover holes where hardware (A) is used.

Mocka Essentials Entertainment Unit

Assembly Instructions

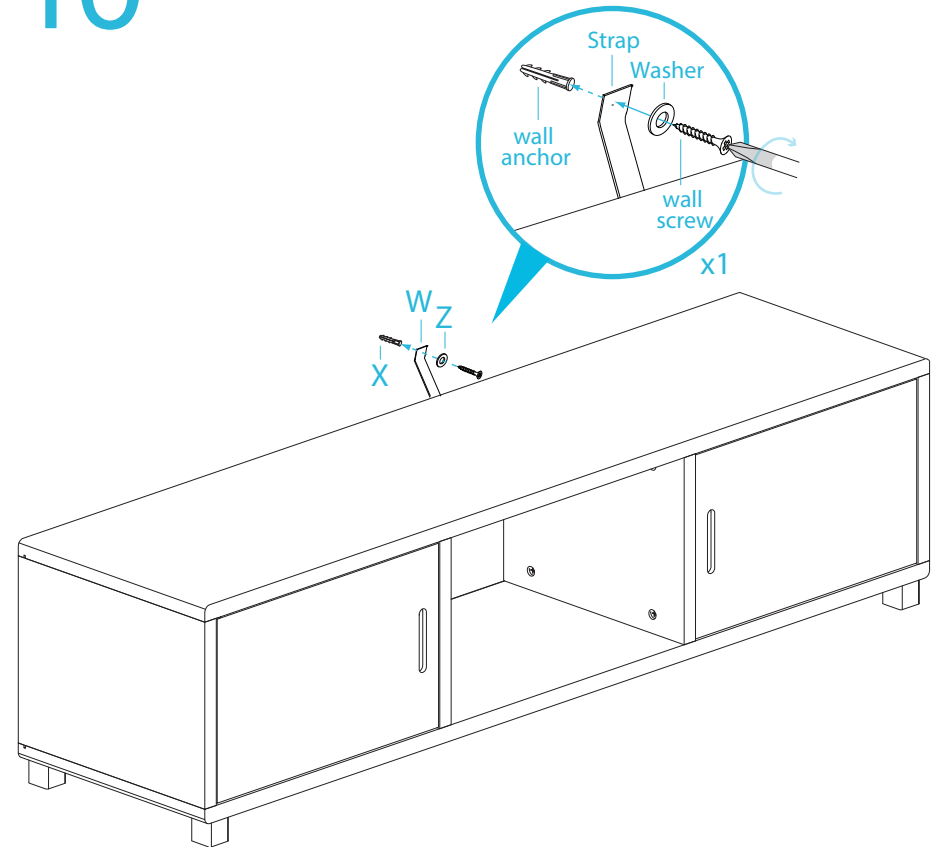
mocka

9 Safety Strap



Attach safety strap (W) to the top of the back side of the unit using screw (Y). Tighten with a screwdriver. Once assembled lift furniture into place, do not drag.

10



Move the unit into the desired location up against a wall. Use a drill to create a small hole lining up with the top of the safety strap (W). Fasten to wall using wall anchor (X), washer (Z) and a wall screw. Ensure unit is balanced and steady before use. You're done, enjoy!