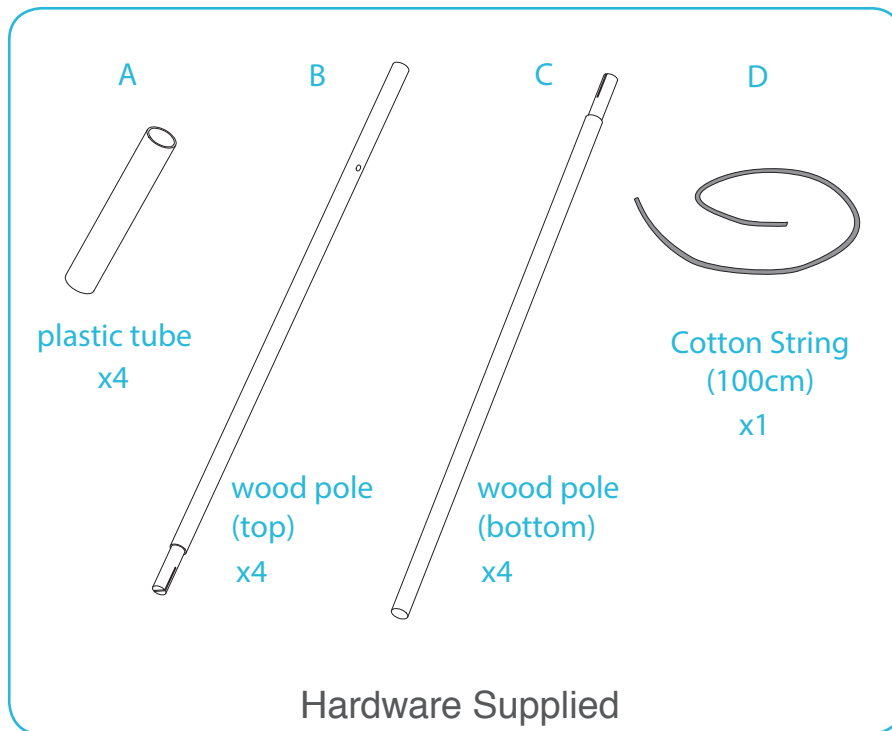


# Piccolo Teepee

## Assembly Instructions

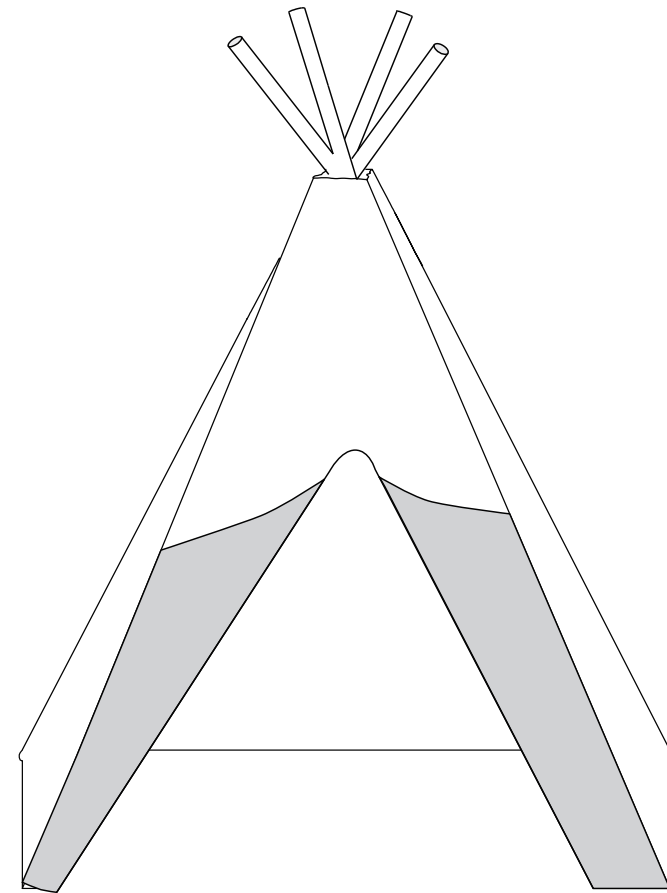
Thank you for your purchase.  
Please follow the instructions below for correct assembly.

# mocka



PLEASE NOTE: ASSEMBLY BY ADULTS ONLY.

WARNING: KEEP AWAY FROM FIRE.

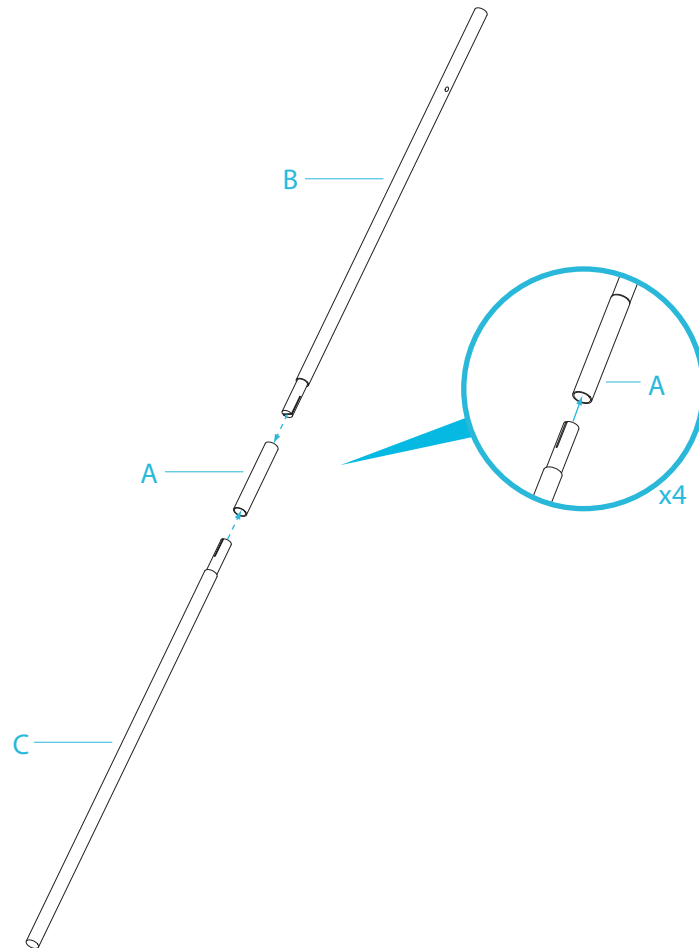


# Piccolo Teepee

## Assembly Instructions

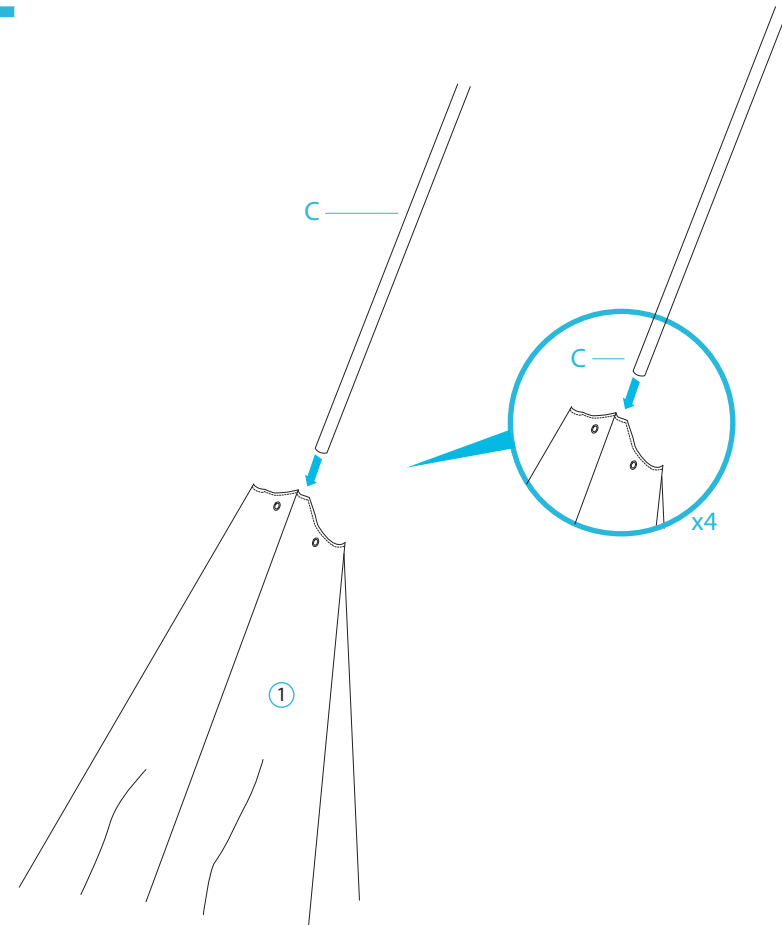
mocka

1



To begin assembly, connect wooden poles (B) and (C) together with the plastic tube (A) as shown. Repeat until all four poles are assembled.

2



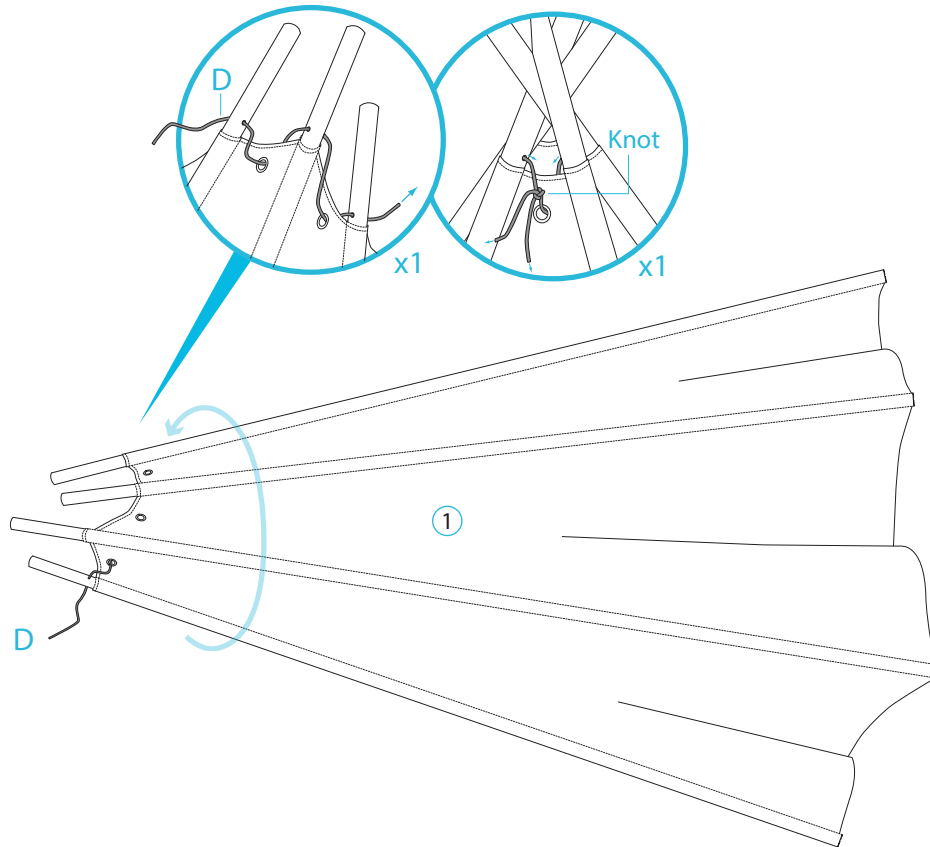
Insert four complete poles, one at a time, into the side channels on the inside of the teepee canvas. Ensure the wooden poles (B) with hole are at the top. Slide each pole right to the base of the canvas channel.

# Piccolo Teepee

## Assembly Instructions

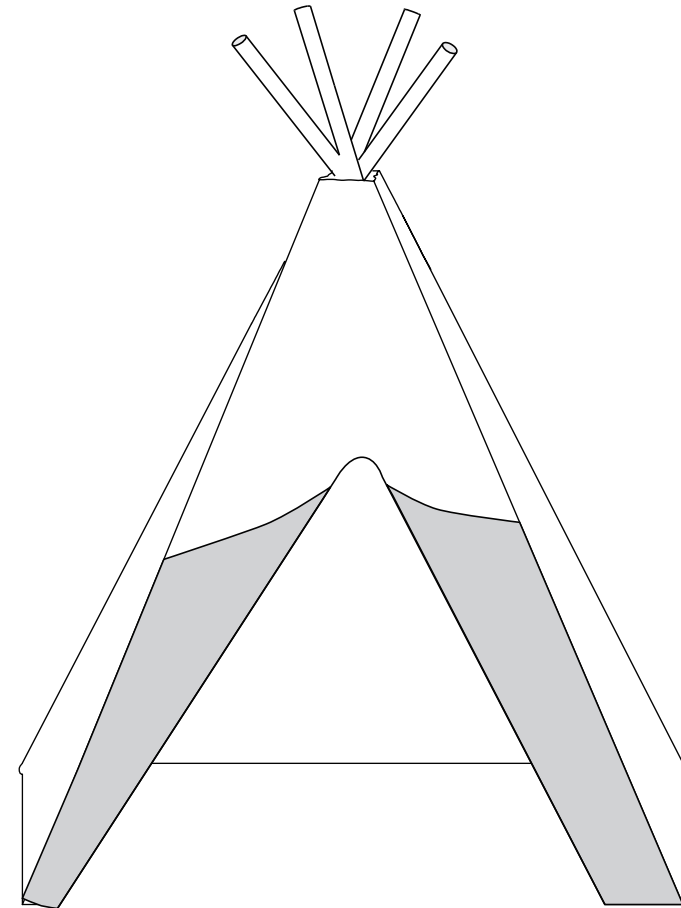
mocka

3



Attach wood poles and teepee canvas together using the cotton string (D). Lie the teepee flat and bunch the ends together. Thread the string through the eyelets in the canvas and then through the pole, alternating each time (keeping all poles bunched together).

4



All done! Ensure all teepee poles are fully extended and the fabric in each section is taut. The fabric should not sag between poles if all poles are fully extended. Enjoy!