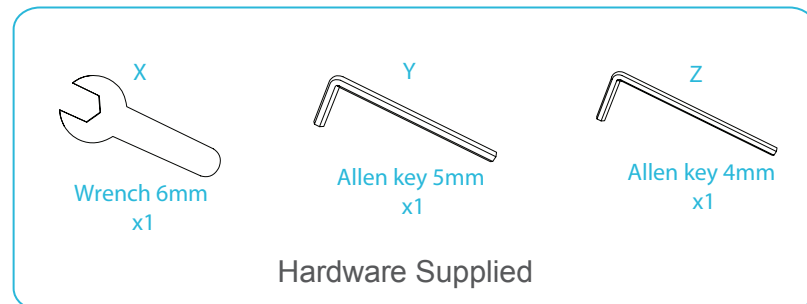
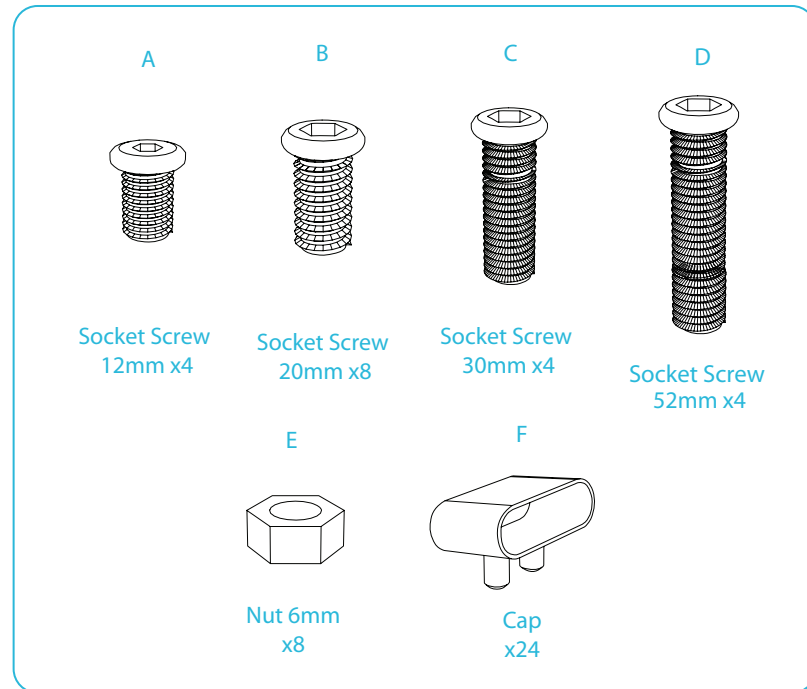


Sonata Bed - Single

Assembly Instructions

mocka

Thank you for your purchase.
Please follow the instructions below for correct assembly.



IMPORTANT NOTICE
When moving the bed, please lift off the ground with two people. DO NOT drag, push or pull the bed across the floor, as this can result in damage to the supporting leg.

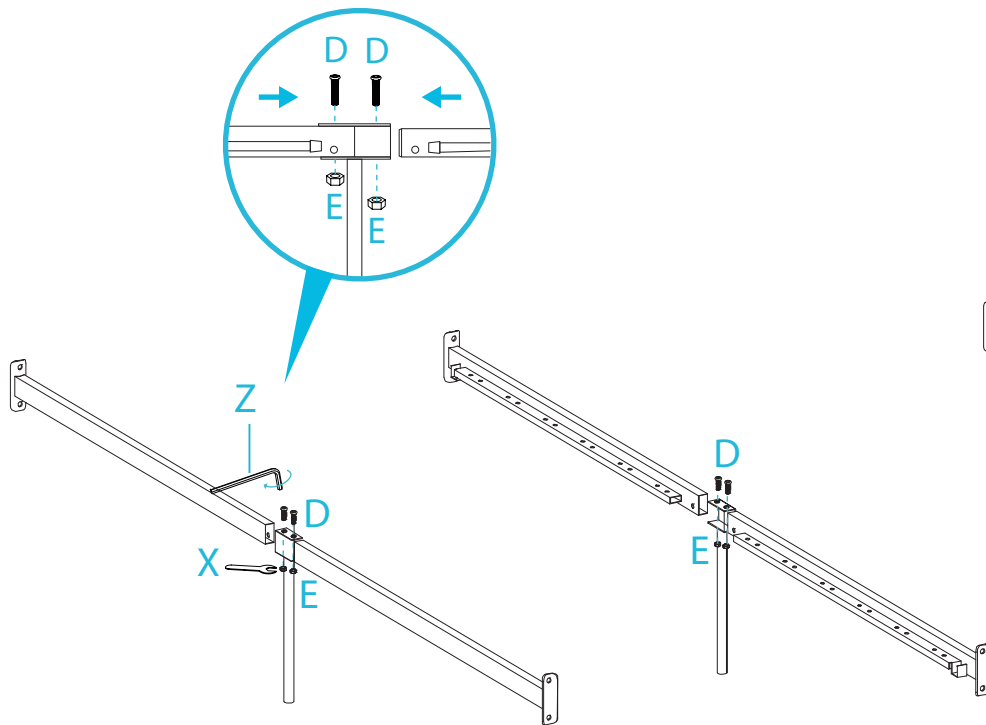


Sonata Bed - Single

Assembly Instructions

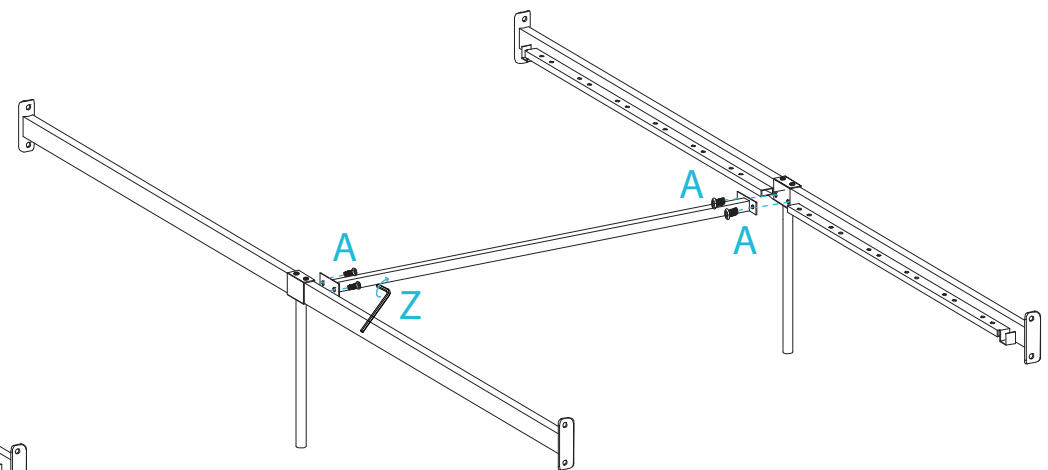
mocka

1



Assemble each side by attaching the support leg to its two corresponding side panels with 2x 52mm socket screws (D) and 2x 6mm nuts (E). Tighten with the 4mm allen key (Z) and wrench (X).

2



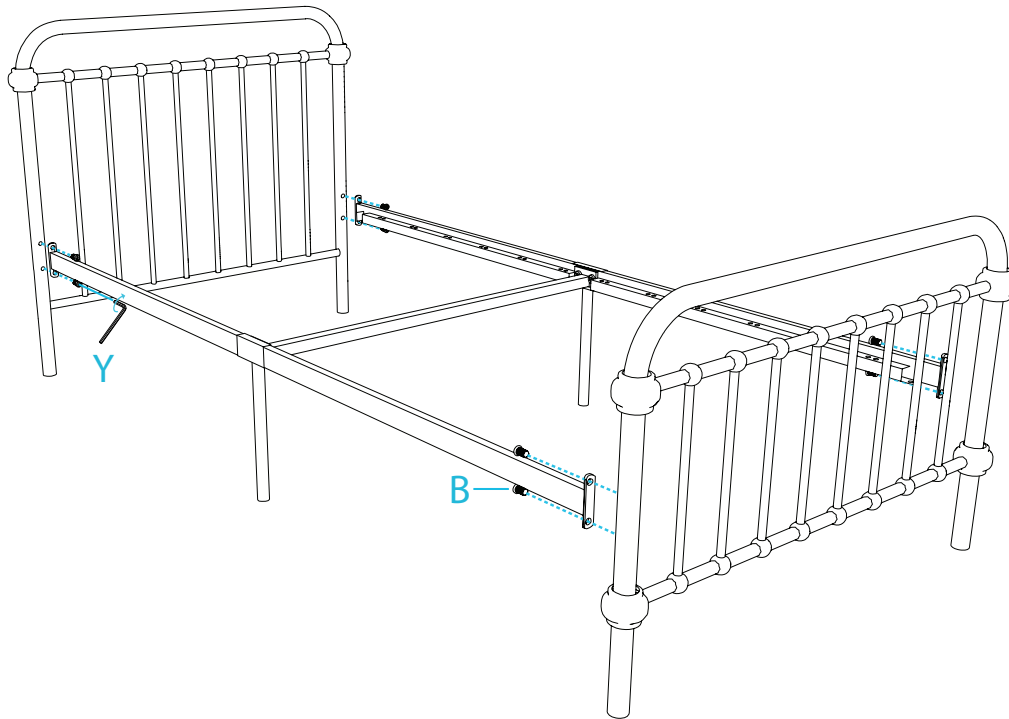
Attach both sides of the bed to the centre bar with 4x 12mm socket screws (A) and tighten with the 4mm allen key (Z).

Sonata Bed - Single

Assembly Instructions

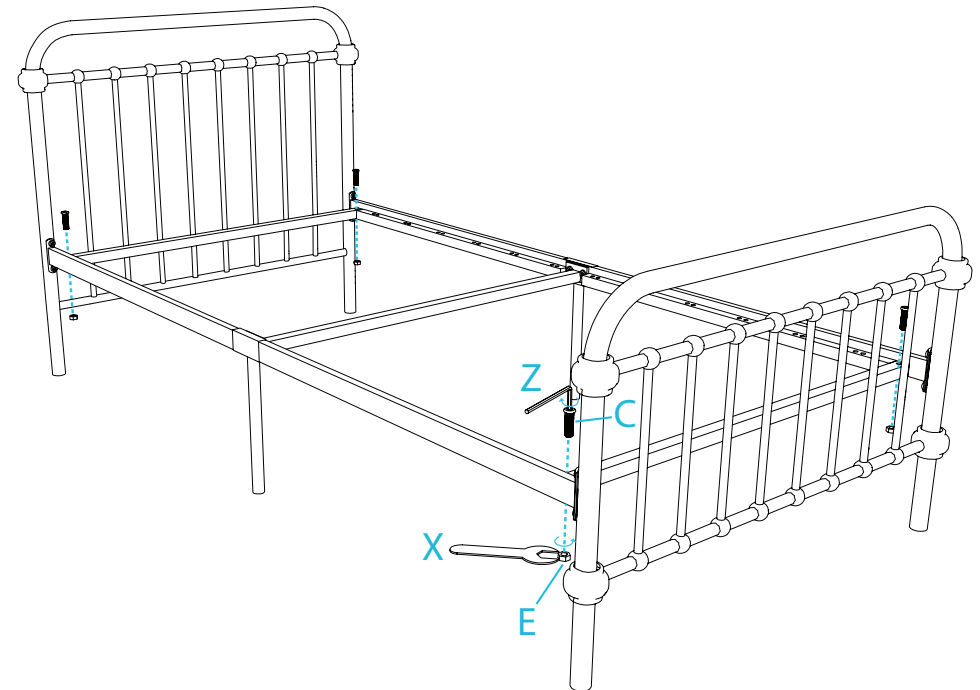
mocka

3



Attach the bed-ends using the 20mm socket screws (B) with the 5mm allen key (Y).

4



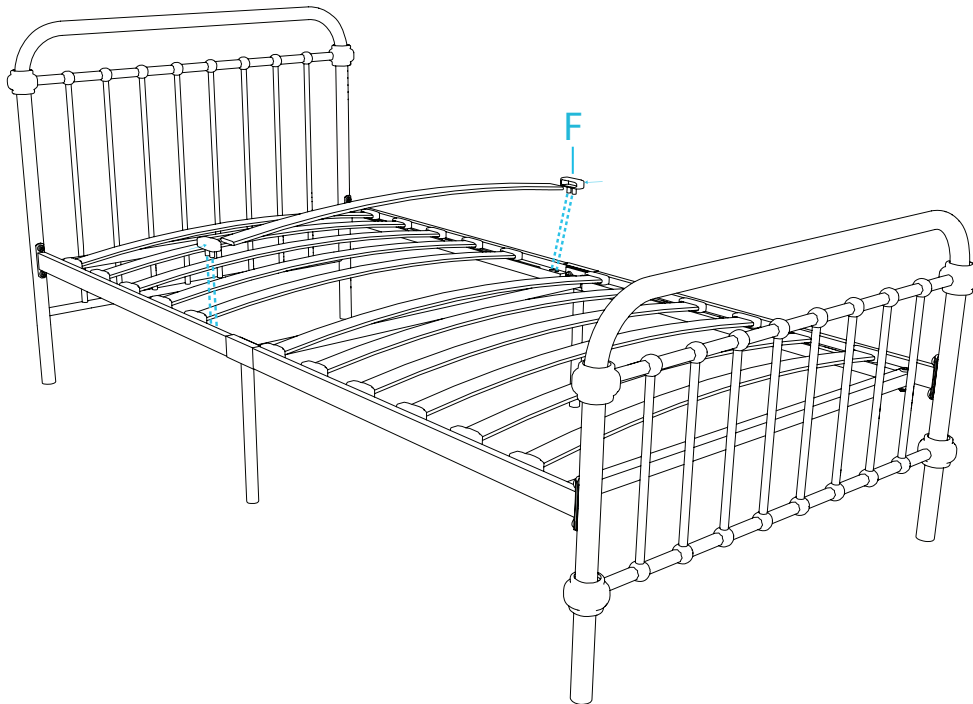
Fix the outer support bars to the bed frame using the 4x 30mm socket screws (C) and 4x Nuts (E) with the 4mm Allen Key (Z) and wrench (X).

Sonata Bed - Single

Assembly Instructions

mocka

5



Insert caps (F) onto the ends of 12x bed planks, then using the cap ends insert the planks into bed frame.

6



Lift the furniture into the desired location, do not drag. You're done, enjoy!