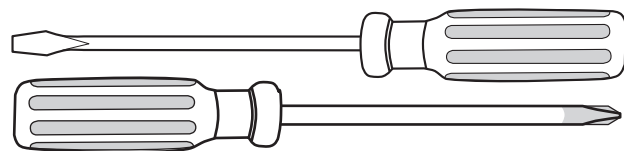
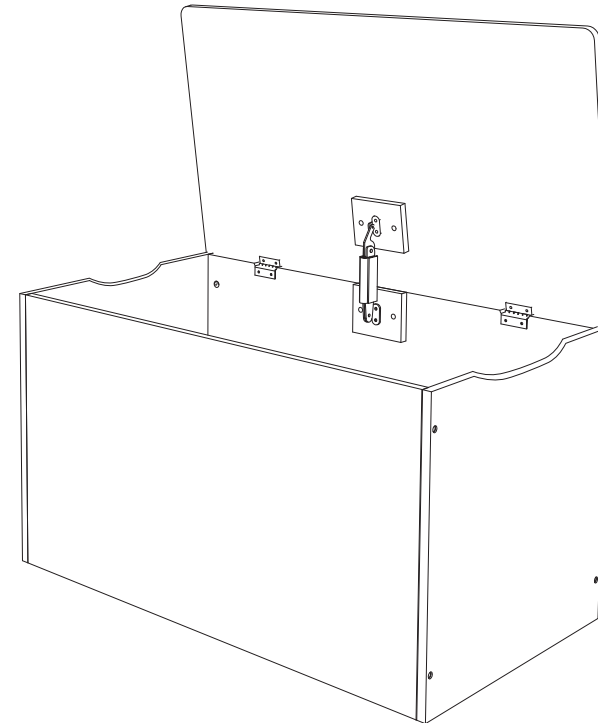
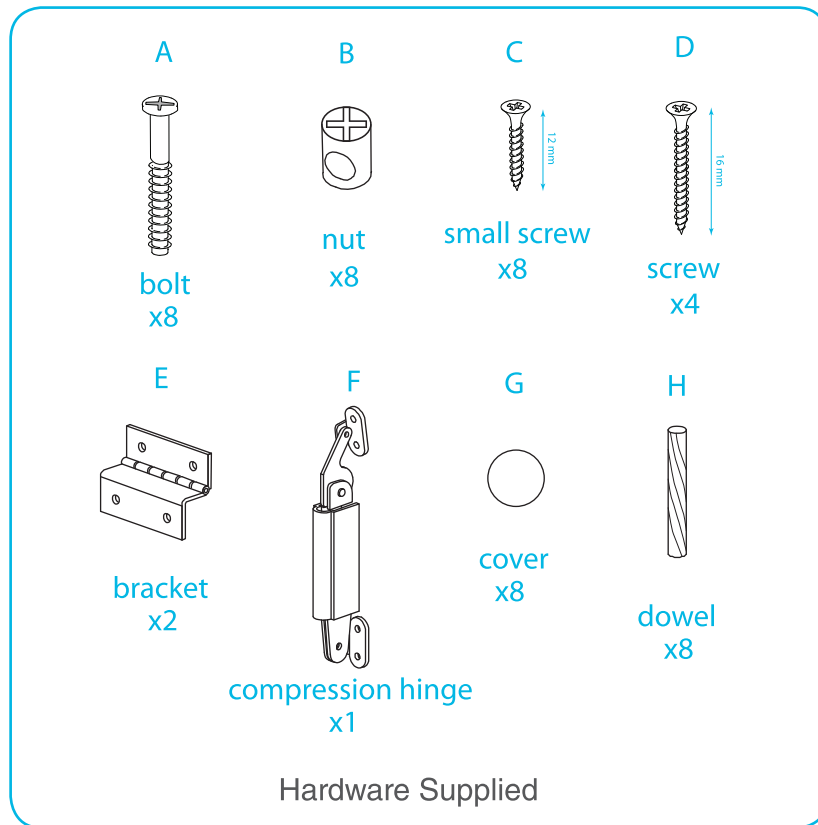


# Wooden Toy Box

## Assembly Instructions

# mocka

Thank you for your purchase.  
Please follow the instructions below for correct assembly.



Phillips & Flathead screwdrivers required

[mocka.co.nz](http://mocka.co.nz) | [mocka.com.au](http://mocka.com.au)

**Please do not over tighten the screws.**

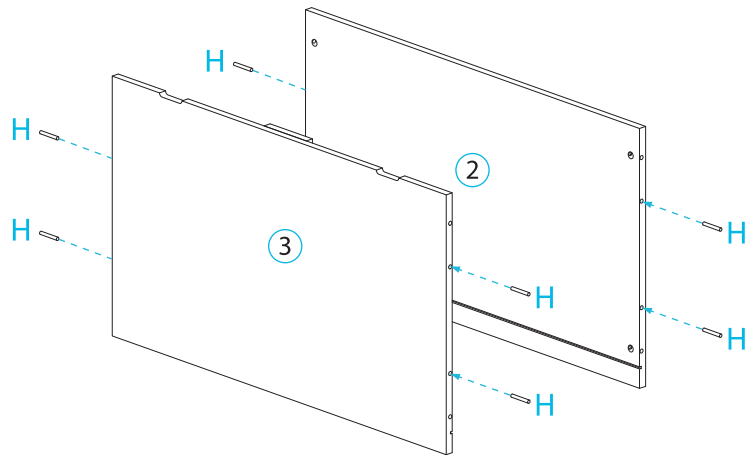
\*We recommend using a Flathead screwdriver to tighten all locking nuts 100% before first use.  
Please clear any loose wood from the locking nut holes before inserting the nut to ensure it locks 100%.

# Wooden Toy Box

## Assembly Instructions

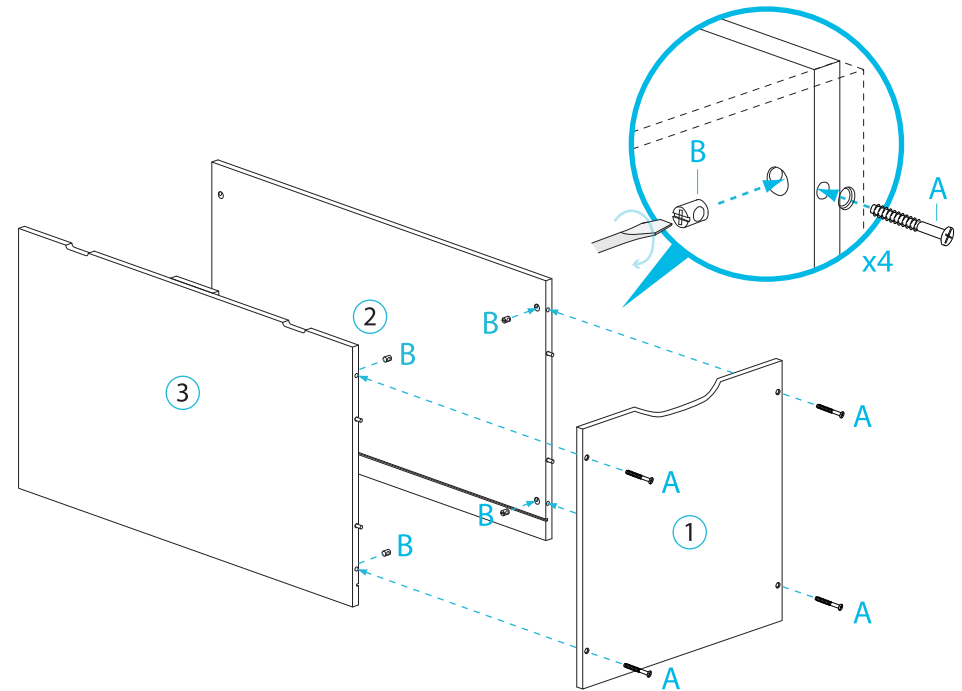
mocka

1



To assemble the Toy Box first insert 4x wood dowels (H) into each front and back panel [2] and [3].

2



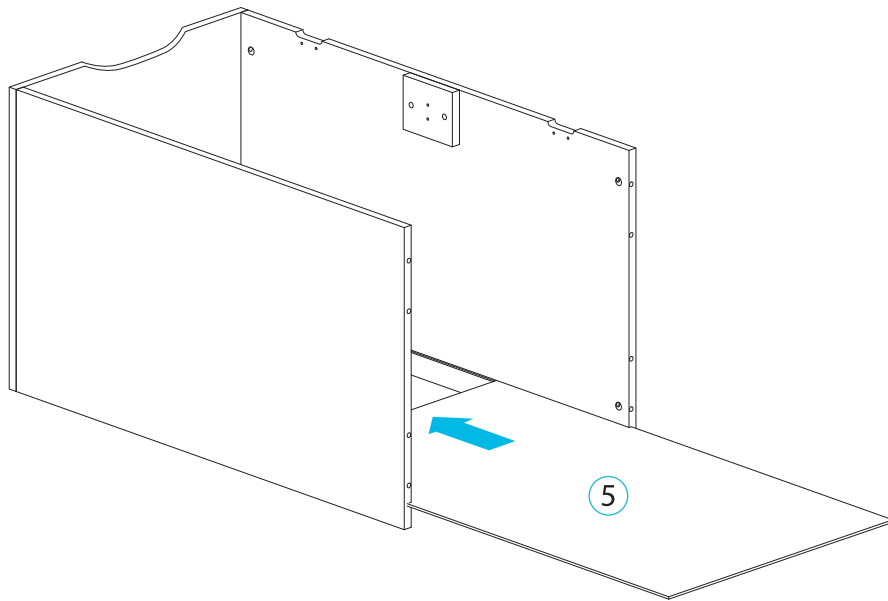
Fasten side panel [1] to panels [2] and [3] using 4x bolts (A) and 4x nuts (B). Ensure the grooves on the panels all align. Tighten all bolts with a screwdriver.

# Wooden Toy Box

## Assembly Instructions

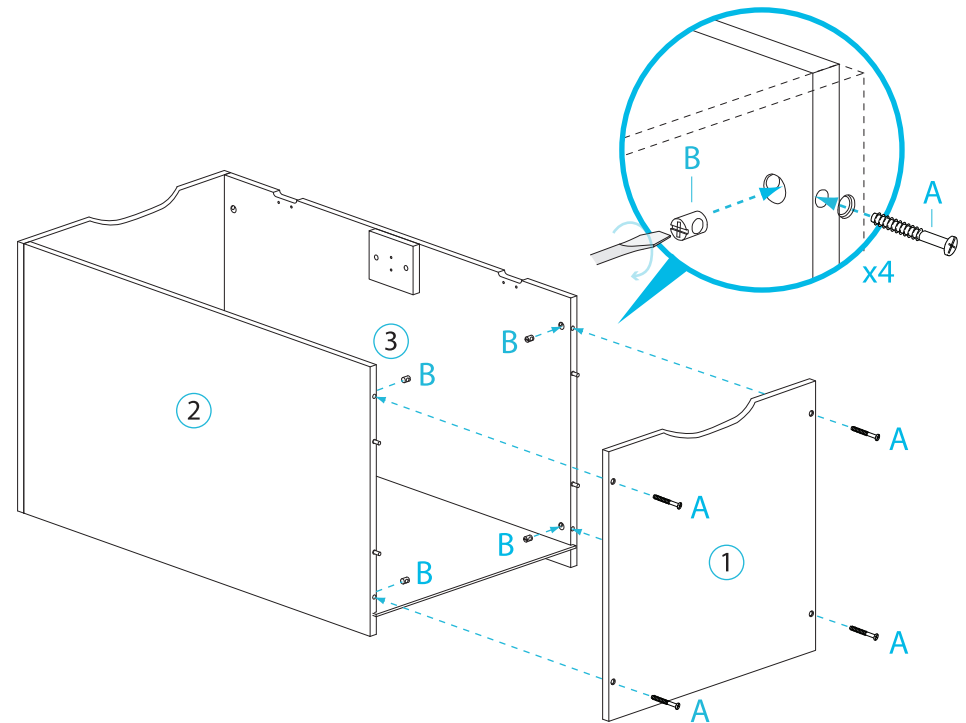
mocka

3



Next slide the base panel [5] into the grooved slots in the panels.

4



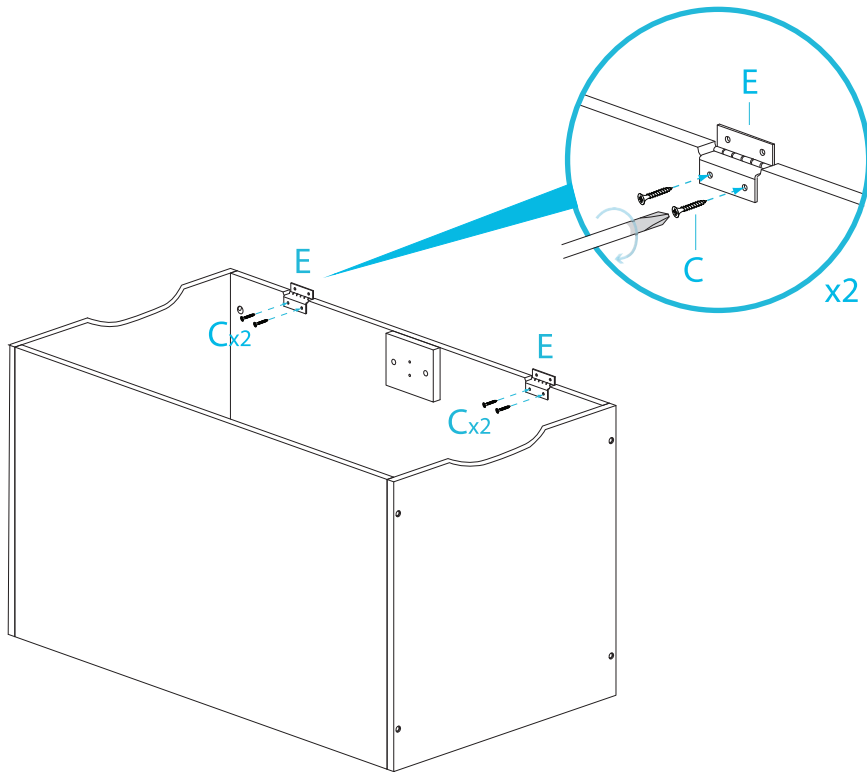
Repeat Step 2. Fasten side panel [1] to panels [2] and [3] using 4x bolts (A) and 4x nuts (B). Ensure the grooves on the panels all align. Tighten all bolts with a screwdriver.

# Wooden Toy Box

## Assembly Instructions

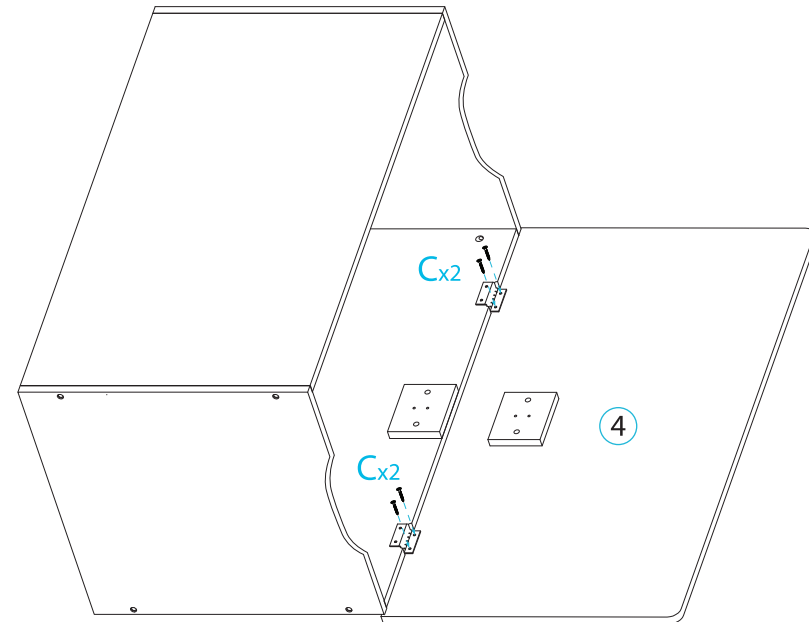
mocka

5



Attach the two brackets (E) to the spaces in panel [3] using 2x small screws (C) in each. Tighten screws with a screwdriver.

6



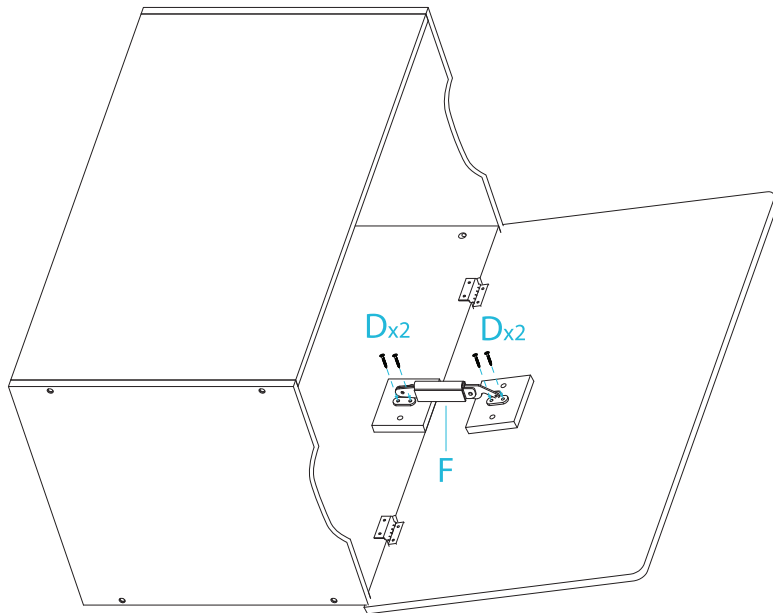
Then fasten the Toy Box lid [4] to the brackets (E) using 2x small screws (C) in each. Tighten screws with a screwdriver.

# Wooden Toy Box

## Assembly Instructions

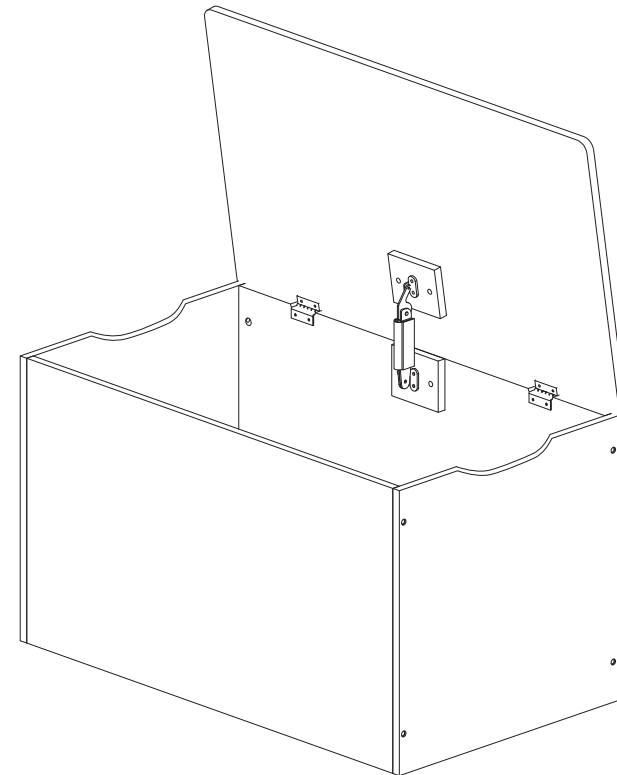
mocka

7



Attach the compression hinge (F) in place using 4x screws (D). Ensure the hinge is fastened to both lid [4] and back panel [3] using a screwdriver. Check the lid easily opens and closes.

8



Ensure all screws and bolts are secure but not over tightened before use. Finish by covering bolts holes with hardware (G). All done, enjoy!