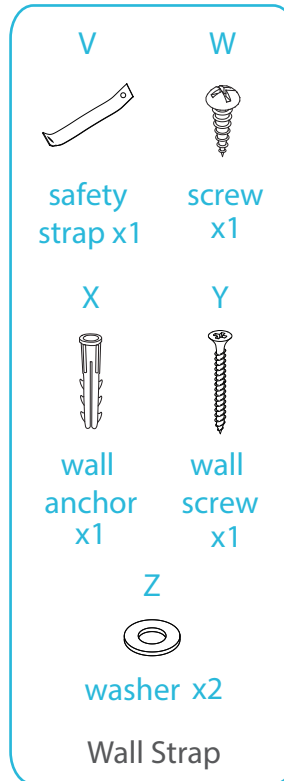
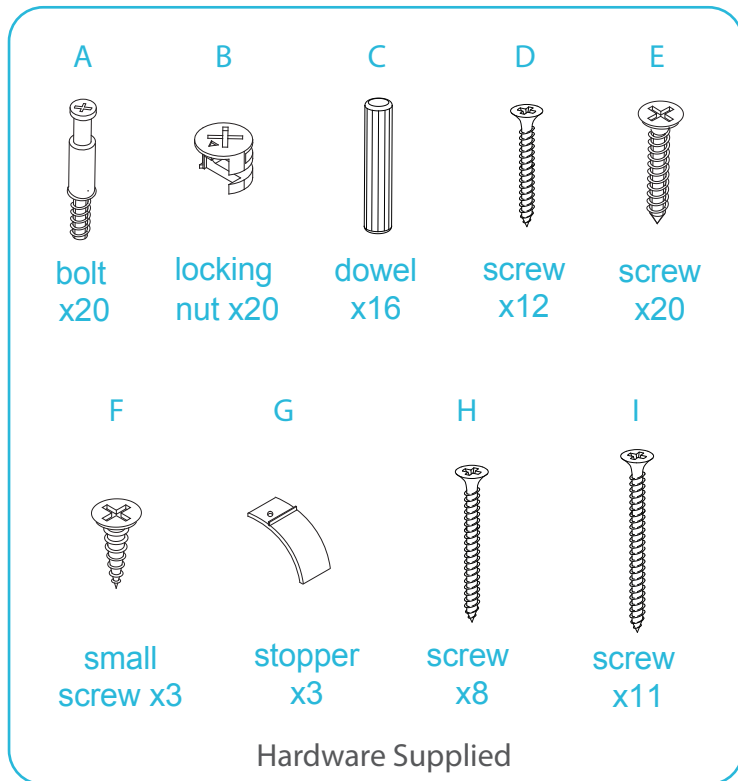


# Vibe Desk

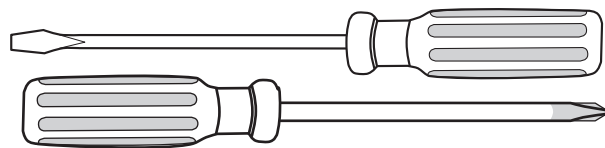
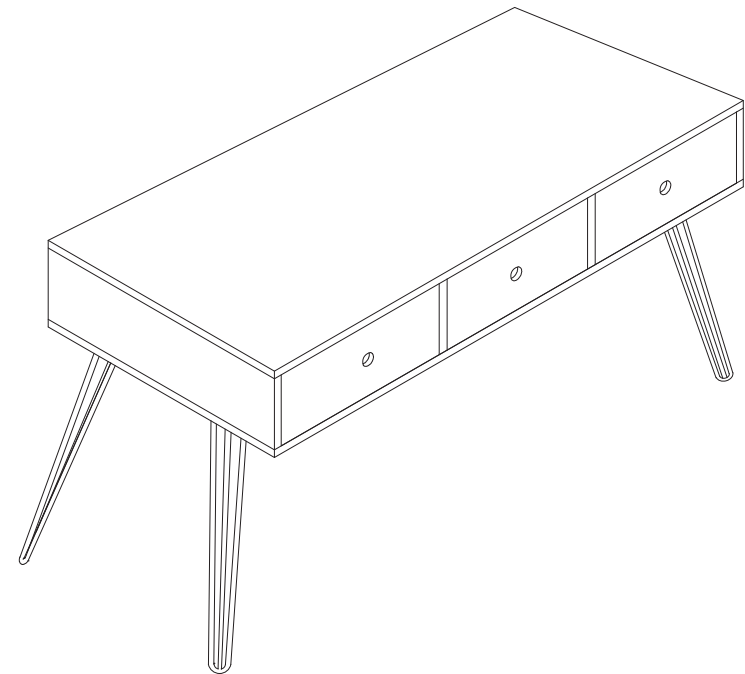
## Assembly Instructions

Thank you for your purchase.  
Please follow the instructions below for correct assembly.

# mocka



**WARNING:** Any furniture that is not anchored to a wall has the potential to tip over in certain circumstances, i.e. if a child attempts to climb up on the furniture or in the event of an earthquake. Accordingly, we recommend that all furniture is anchored to a wall. We supply a free safety wall anchor with all furniture sold and we recommend these are used to prevent your product tipping. The fixing device provided should fit most wall types, but please note that different wall materials may require different fixing devices from those supplied.



Phillips & Flathead screwdrivers required

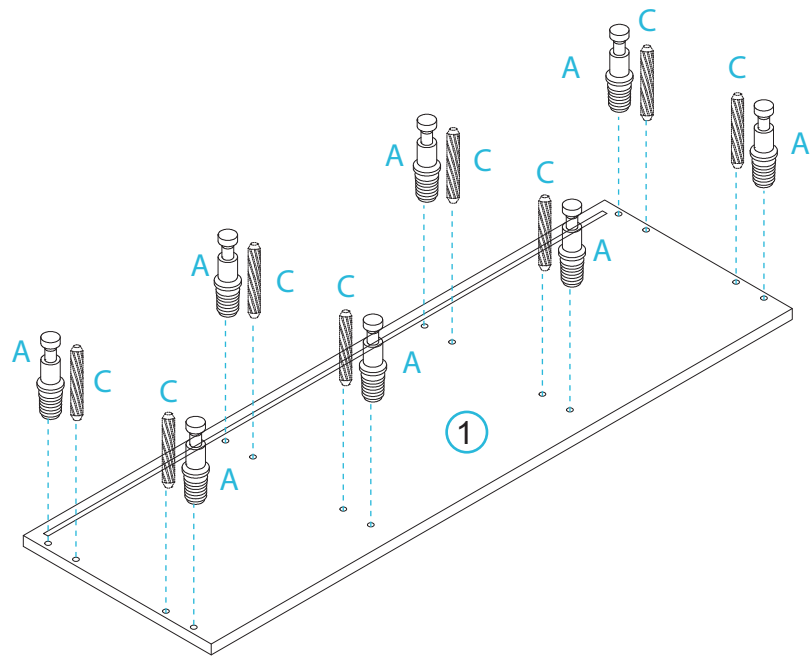
\*We recommend using a Flathead screwdriver to tighten all locking nuts 100% before first use.  
Please clear any loose wood from the locking nut holes before inserting the nut to ensure it locks 100%.

# Vibe Desk

## Assembly Instructions

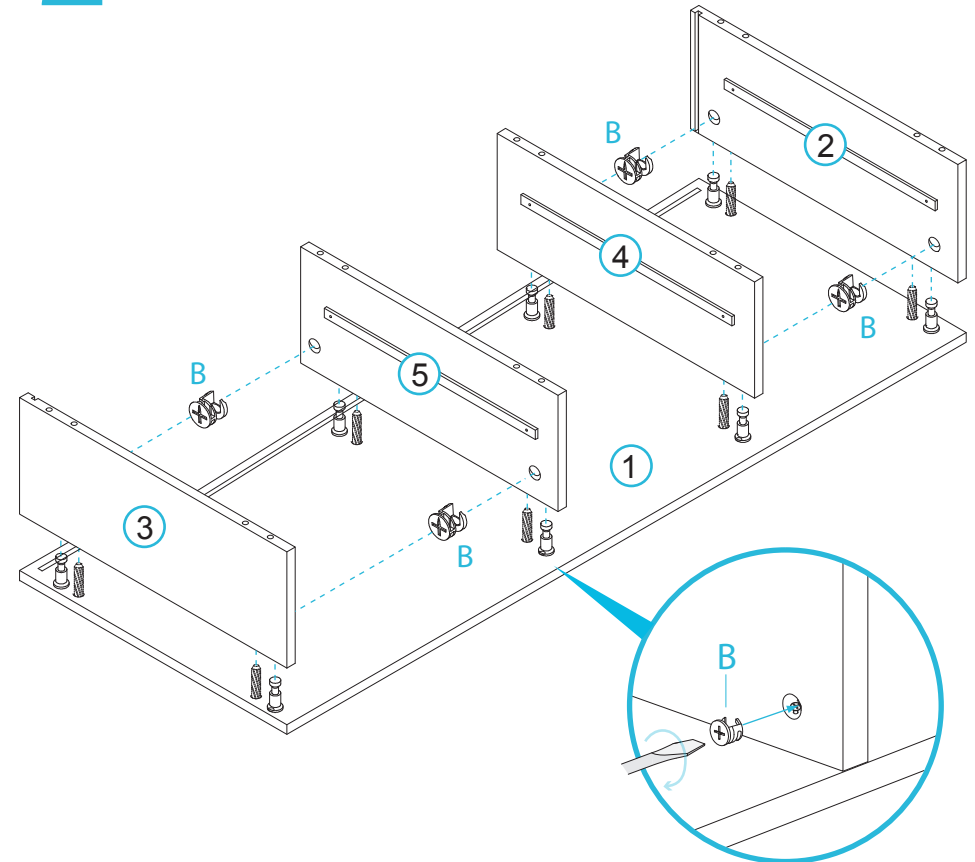
mocka

1



Insert 8x bolts (A) and 8x dowels (C) into panel [1].

2

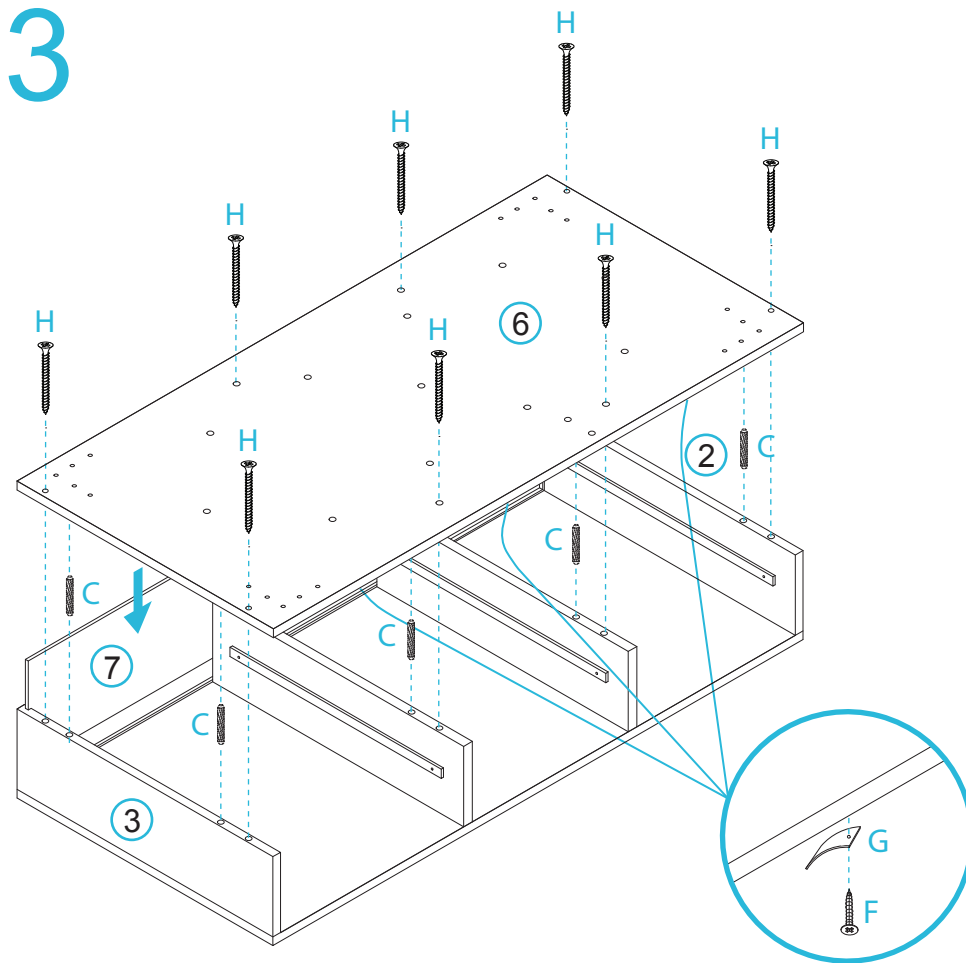


Attach panels [2], [3], [4] and [5] to panel [1] and secure with 8x locking nuts (B). Tighten with a screwdriver.

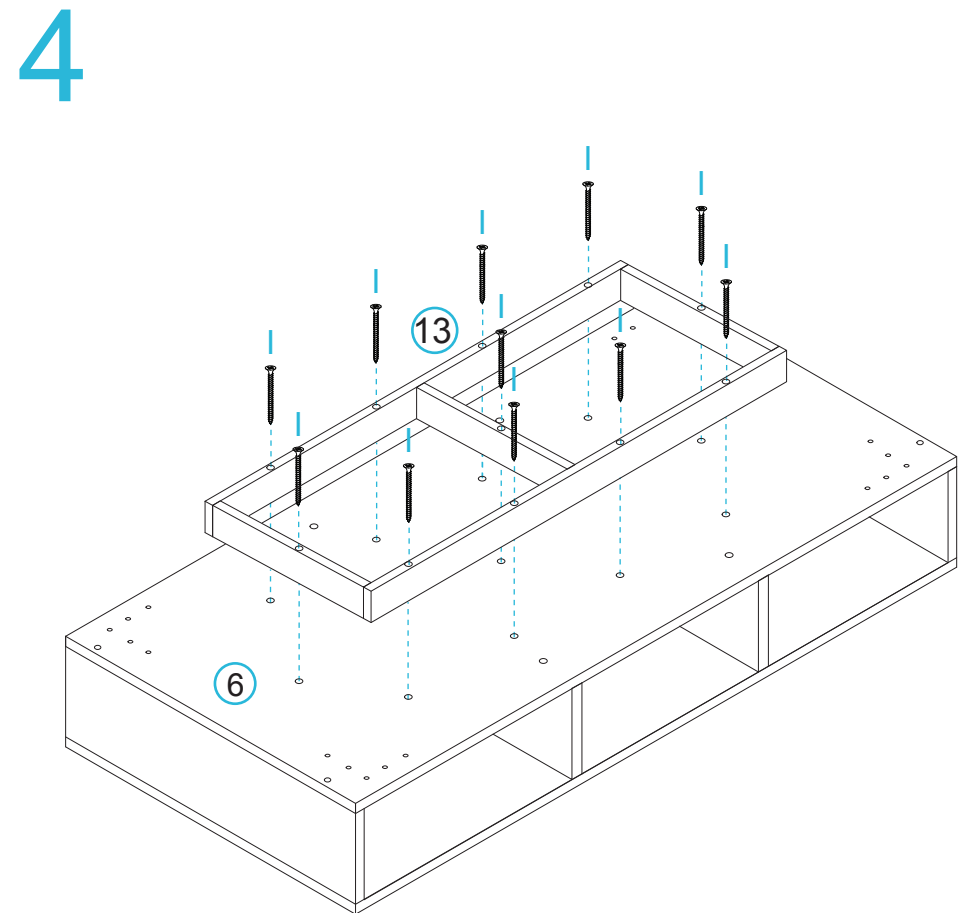
# Vibe Desk

## Assembly Instructions

mocka



Slide panel [7] between the grooves of panel [2] and [3]. Attach 3x stoppers (G) to the underside of panel [6] with 3x small screws (F). Insert 8x dowels (C) into the top of panels [2], [3], [4] and [5]. Attach panel [6] to the main unit and secure with 8x long screws (H).



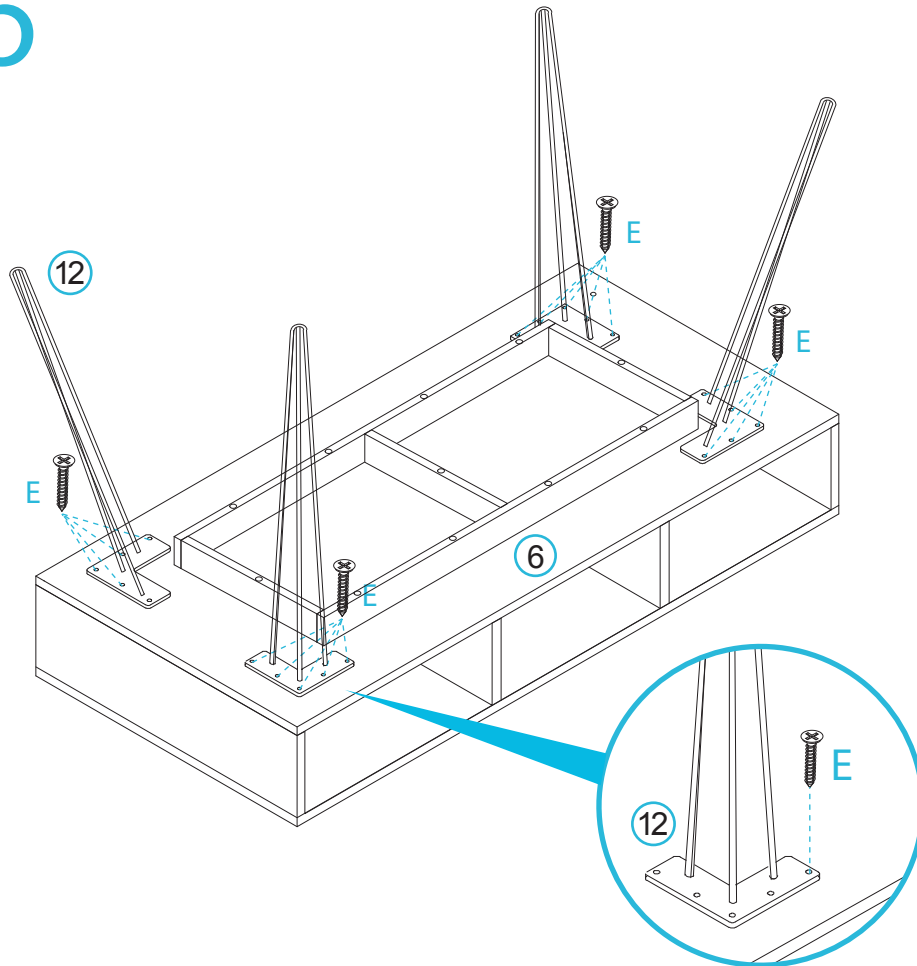
Attach brace [13] to panel [6] and secure with 11x screws (I). Tighten with a screwdriver.

# Vibe Desk

## Assembly Instructions

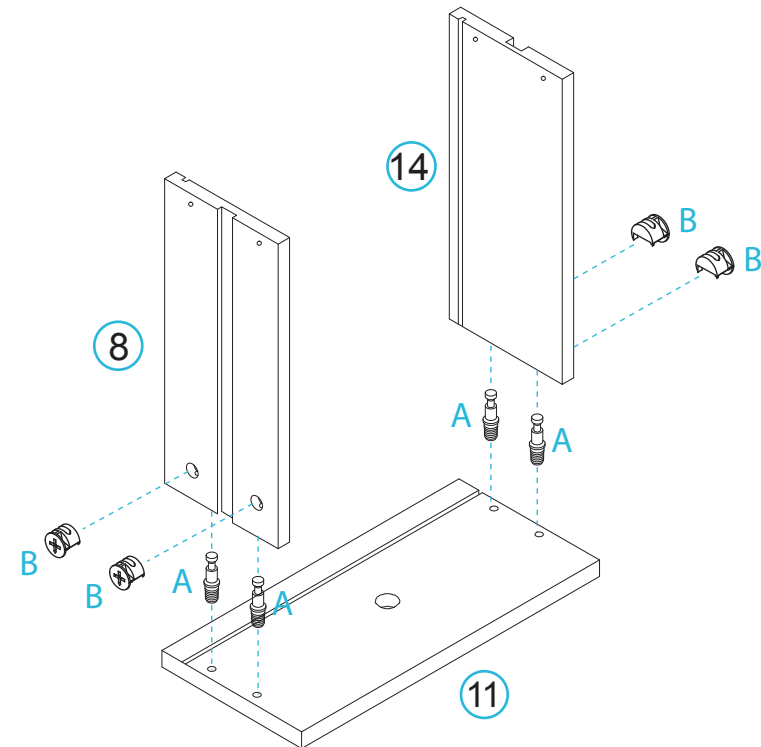
mocka

5



Attach each leg [12] to panel [6] using 20x screws (E). Tighten with a screwdriver.

6 Drawers x3



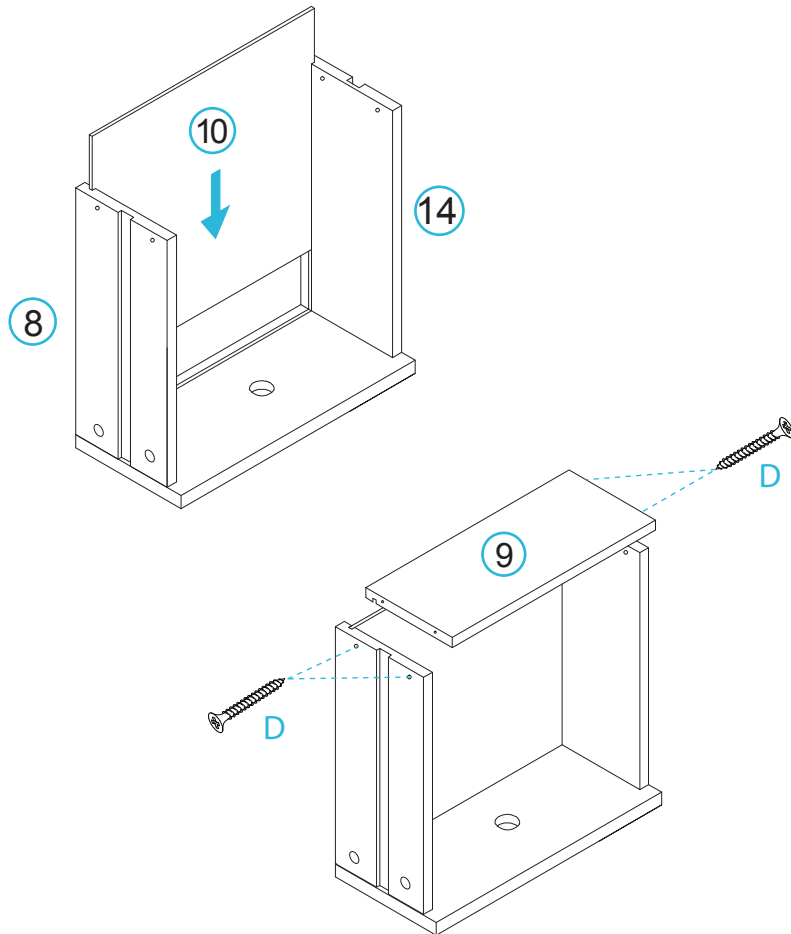
Attach panels [8] and [14] to panel [11] using 4x bolts (A) and secure with 4x locking nuts (B). Tighten with a screwdriver.

# Vibe Desk

## Assembly Instructions

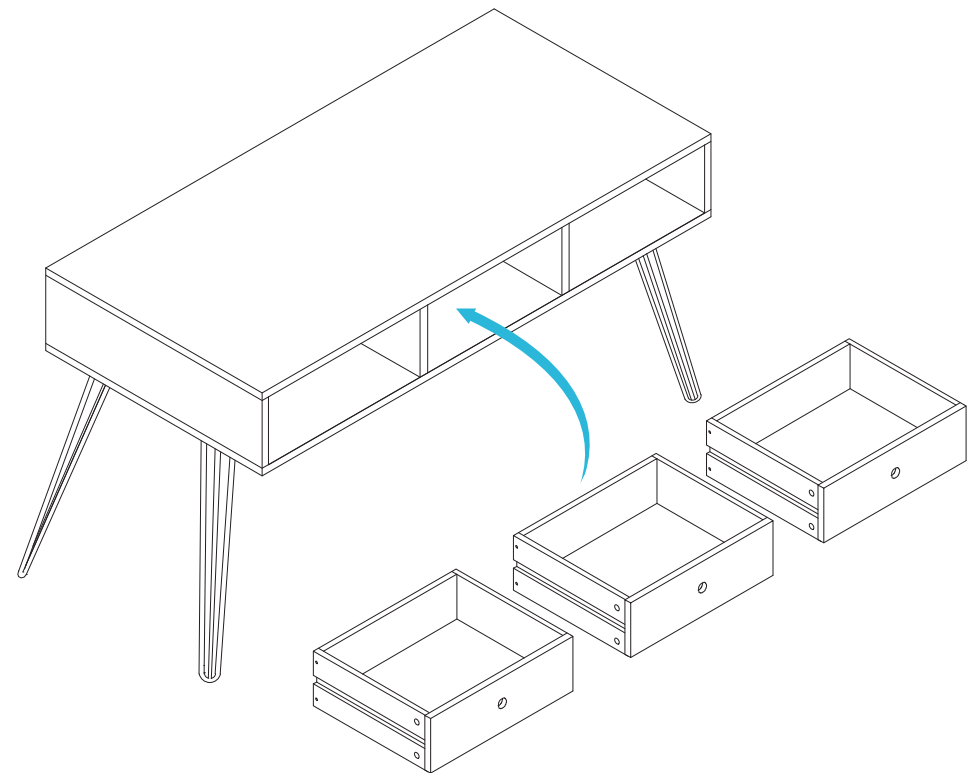
mocka

7



Slide panel [10] into place between the grooves of side panels [8] and [14]. Attach rear panel [9] to the side panels and secure with 4x long screws (D). Tighten with a screwdriver. Repeat these steps to complete the other two drawers.

8



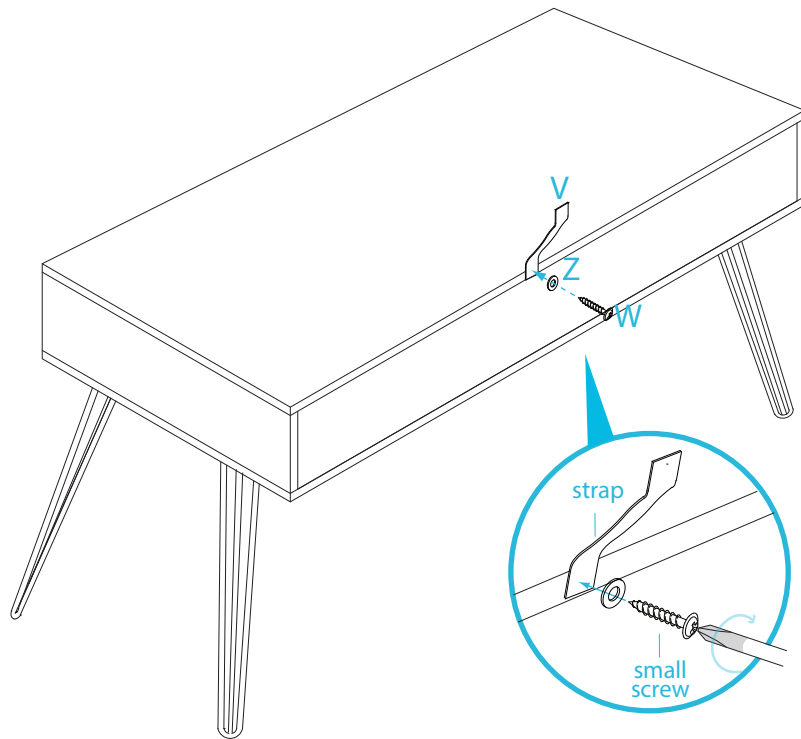
Insert all completed drawers into the main unit.

# Vibe Desk

## Assembly Instructions

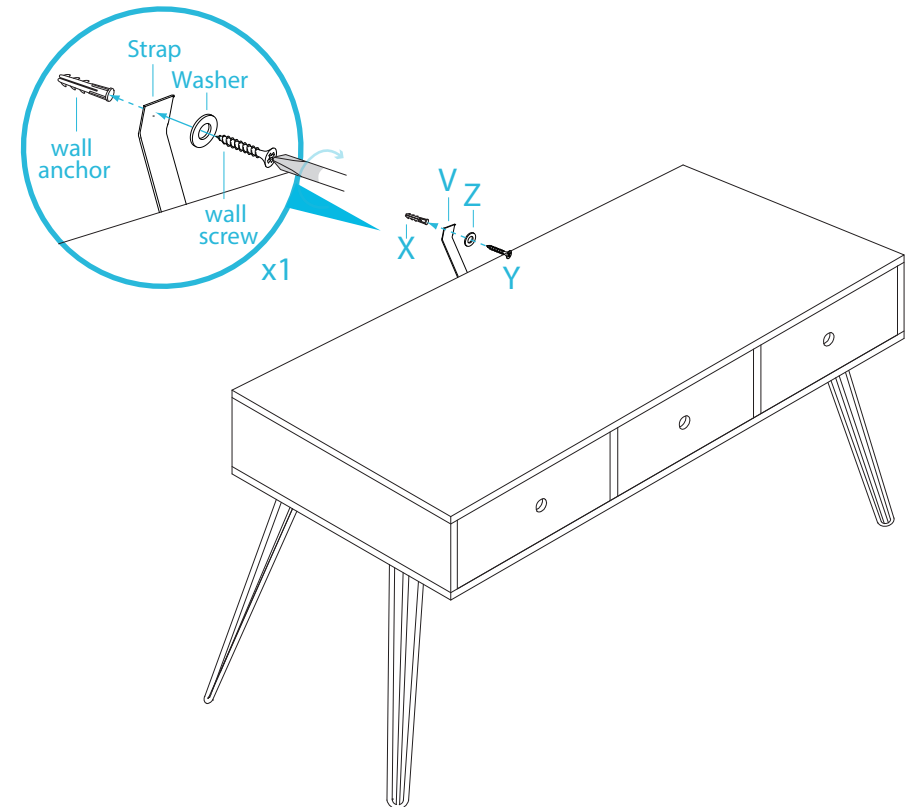
mocka

### 9 Wall Strap



Attach the safety strap (V) to the top of the back side of the unit using 1x screw (W) and 1 x washer (Z). Tighten with a screwdriver.

### 10



Lift the furniture into the desired location, do not drag. Attach the other end of the safety strap (V) to the wall using 1x screw (Y), 1x wall plug (X) and 1 x washer (Z). Tighten with a screwdriver. You're done, enjoy!