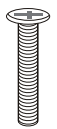
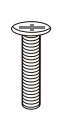
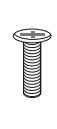
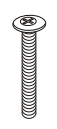





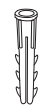




Porto Bookcase

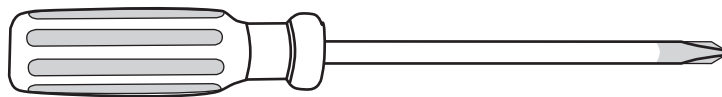
Assembly Instructions

Thank you for your purchase.
Please follow the instructions below for correct assembly.

mocka

A1	A2	A3	B	C	D
					
40mm screw x16	30mm screw x8	25mm screw x4	22mm screw x1	40mm screw x8	nut x4
E	F1	F2	G	H	I
					
nut x1	25mm screw x2	14mm screw x2	wall anchor x2	safety strap x2	feet x4

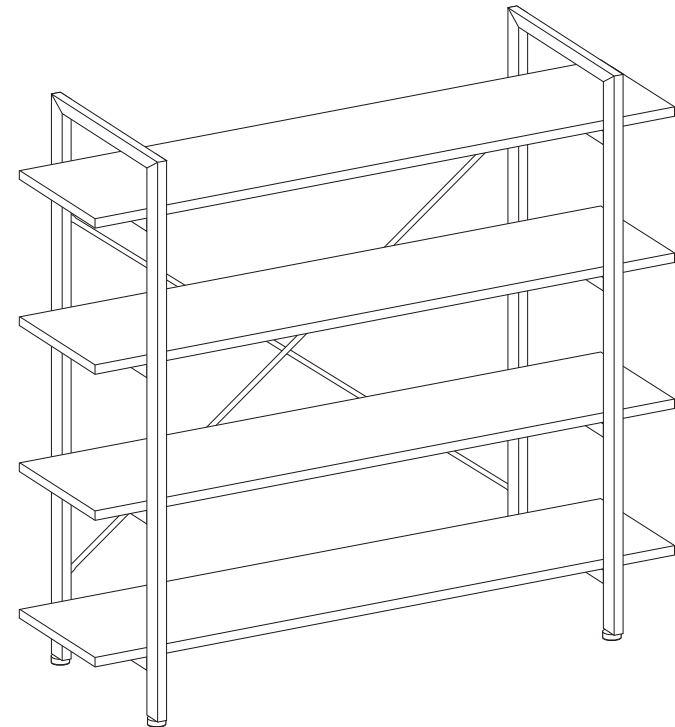
Hardware Supplied



Phillips screwdriver required

For quicker assembly, we recommend the use of a power drill on a low-speed setting.

WARNING: Any furniture that is not anchored to a wall has the potential to tip over in certain circumstances, i.e. if a child attempts to climb up on the furniture or in the event of an earthquake. Accordingly, we recommend that all furniture is anchored to a wall. We supply a free safety wall anchor with all furniture sold and we recommend these are used to prevent your product tipping. The fixing device provided should fit most wall types, but please note that different wall materials may require different fixing devices from those supplied.

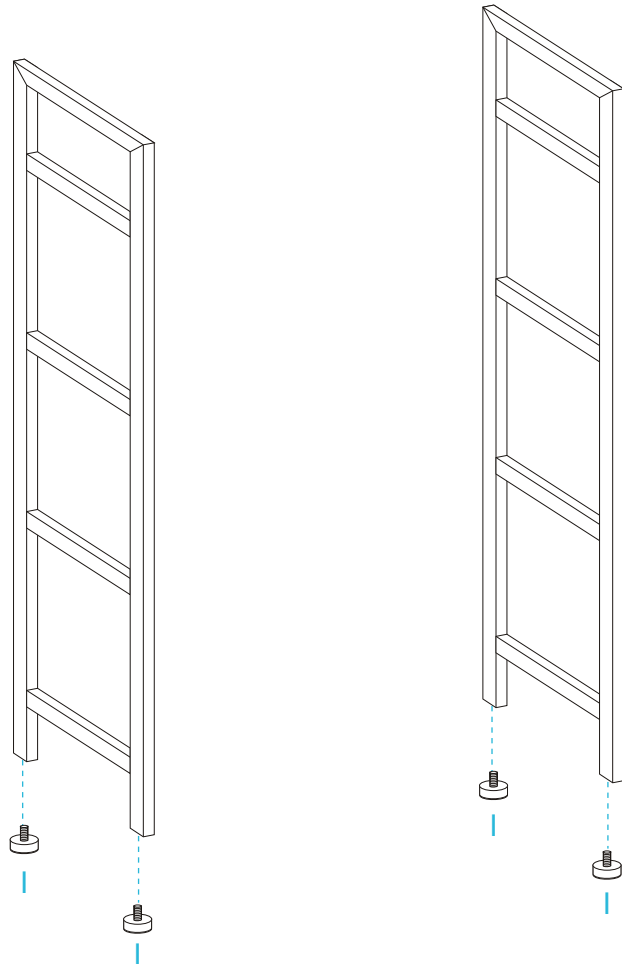


Porto Bookcase

Assembly Instructions

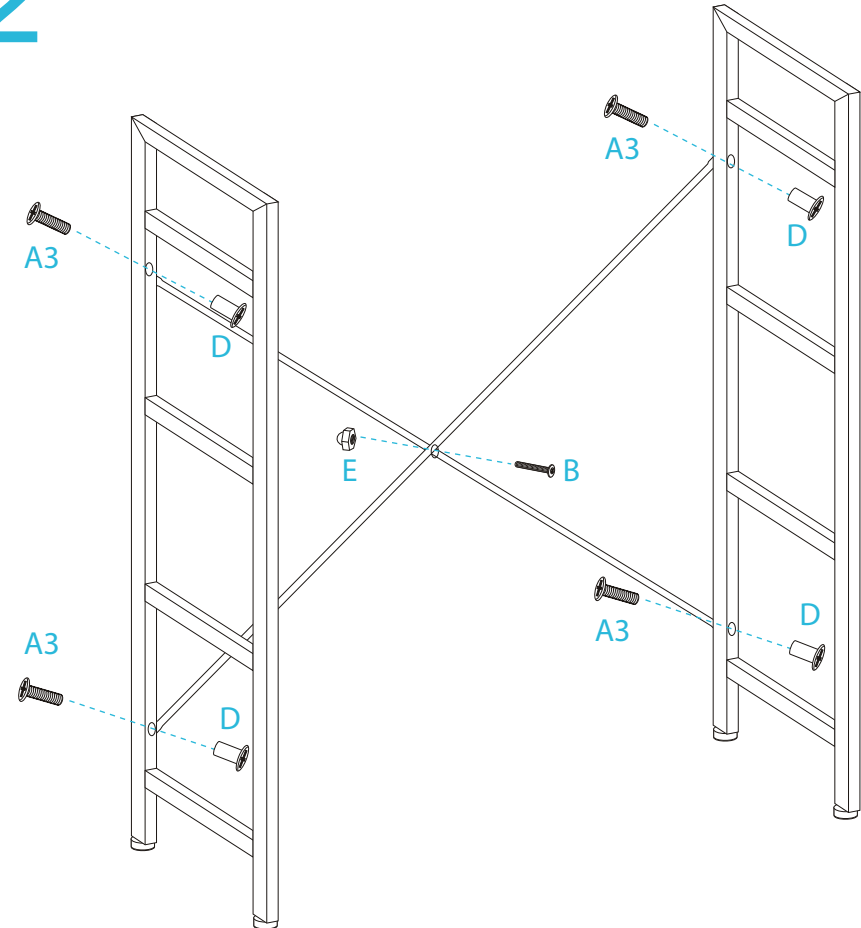
mocka

1



Attach 4x feet (I) to the bottoms of the side panels.

2



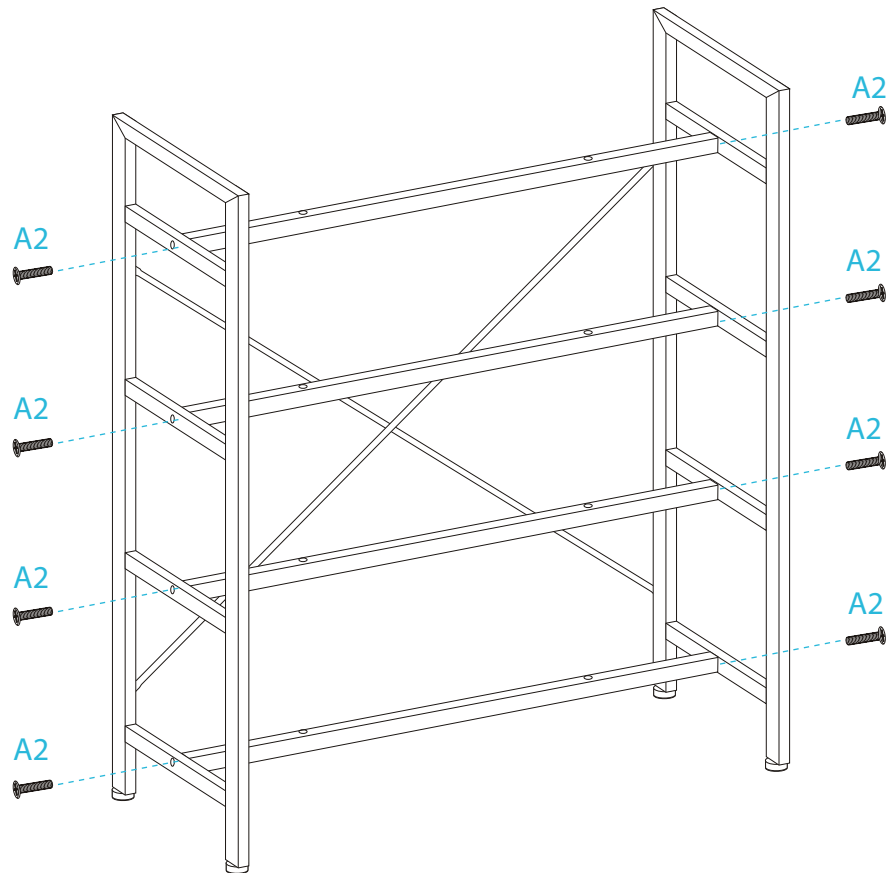
Connect the cross bars using 1x 22mm screw (B) and 1x nut (E). Attach the cross bars to the side panels as shown using 4x 25mm screws (A3) and 4x nuts (D). Tighten with the screwdriver.

Porto Bookcase

Assembly Instructions

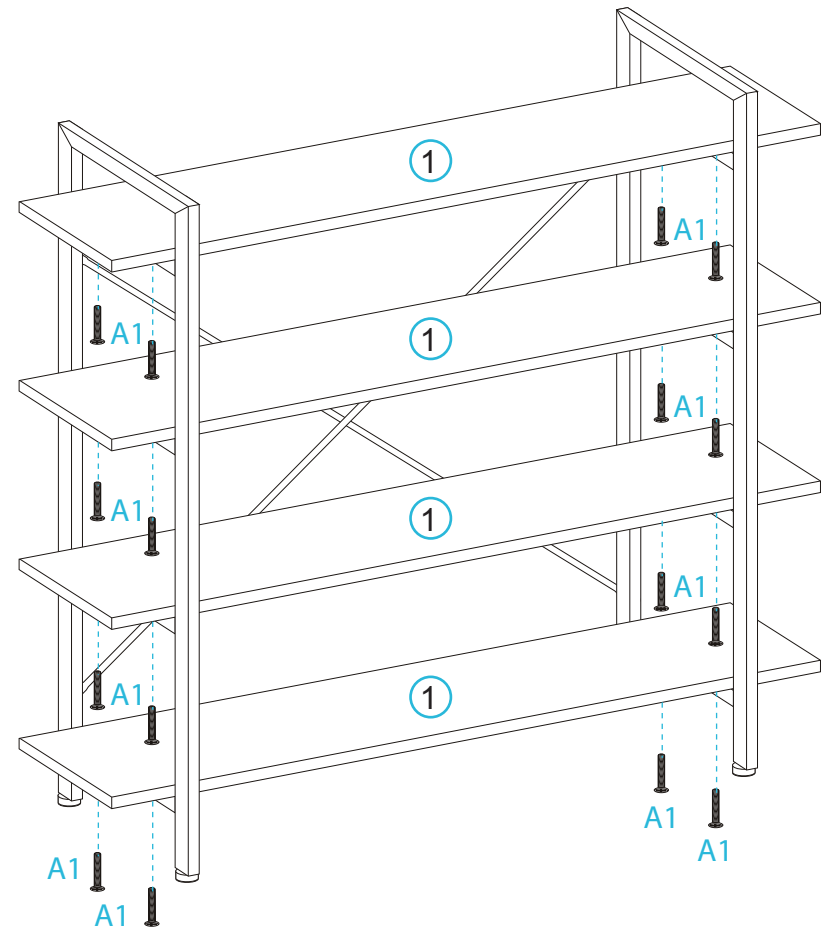
mocka

3



Attach the centre panels to the side panels using 8x 30mm screws (A2). Tighten with a screwdriver.

4



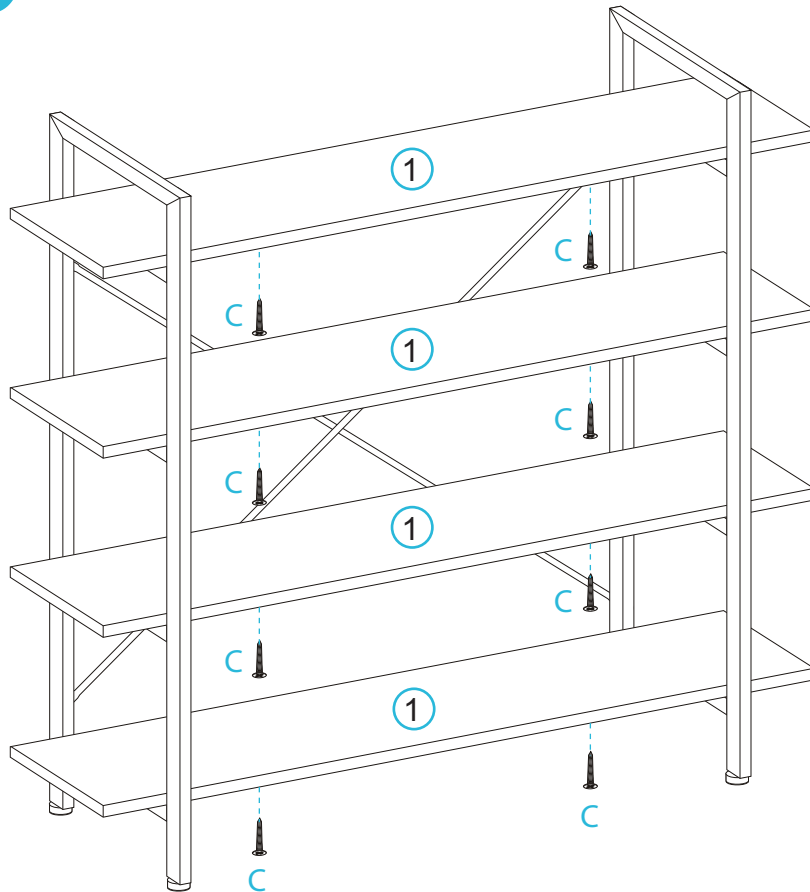
Please Note: Lay down unit for easy assembly.
Attach the shelves [1] to the centre panels and secure from underneath with 16x 40mm screws (A1). Tighten with a screwdriver.

Porto Bookcase

Assembly Instructions

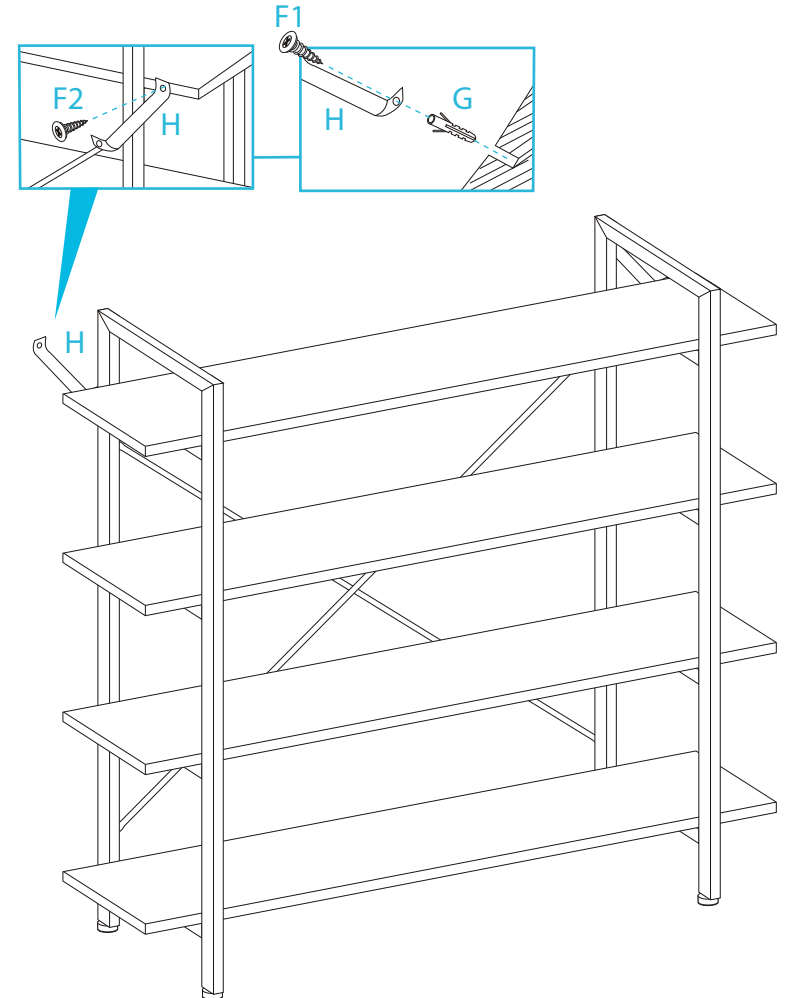
mocka

5



Secure the shelves with 8x 40mm screws (C) from underneath. Tighten with a screwdriver.

6



Lift the completed unit into place, do not drag. Attach 2x safety straps (H) to the back of the top shelf as shown, and secure with 2x 14mm screws (F2). Screw the other end of the straps to the wall using 2x wall anchors (G) and 2x 25mm screws (F1). You're done, enjoy!