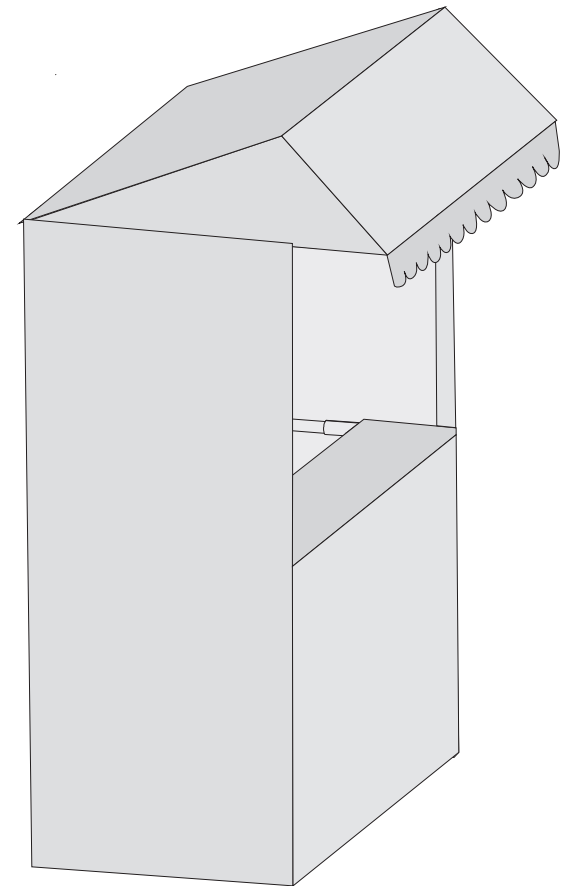
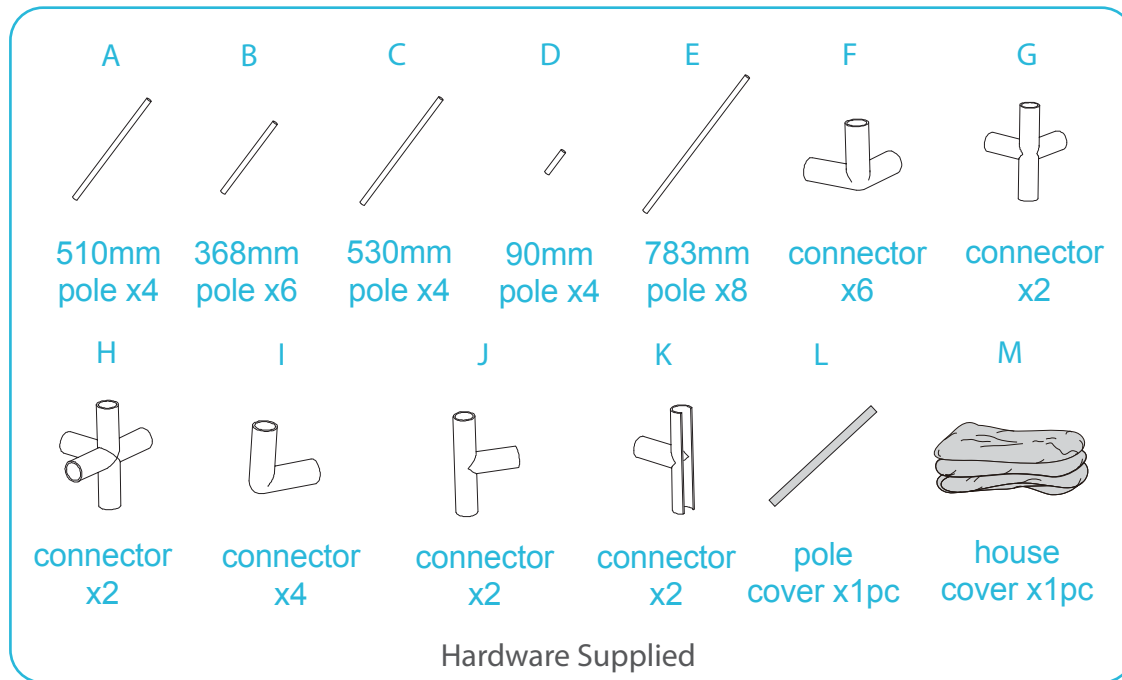


# Lemonade Stand

## Assembly Instructions

Thank you for your purchase.  
Please follow the instructions below for correct assembly.

# mocka



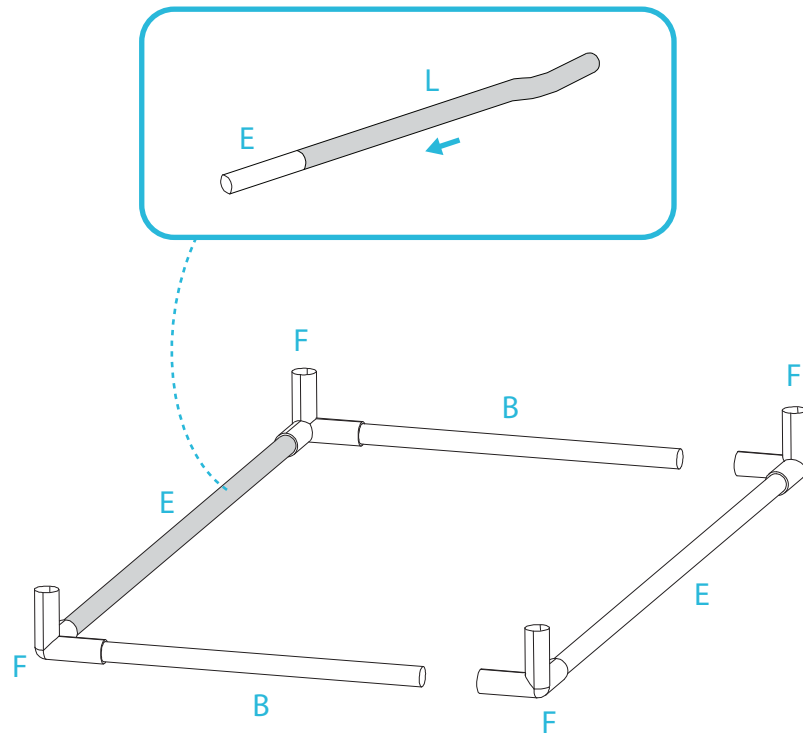
**WARNING: KEEP AWAY FROM FIRE/FLAME**  
**ASSEMBLY OF THIS ITEM SHOULD BE PERFORMED BY AN ADULT ONLY**

# Lemonade Stand

## Assembly Instructions

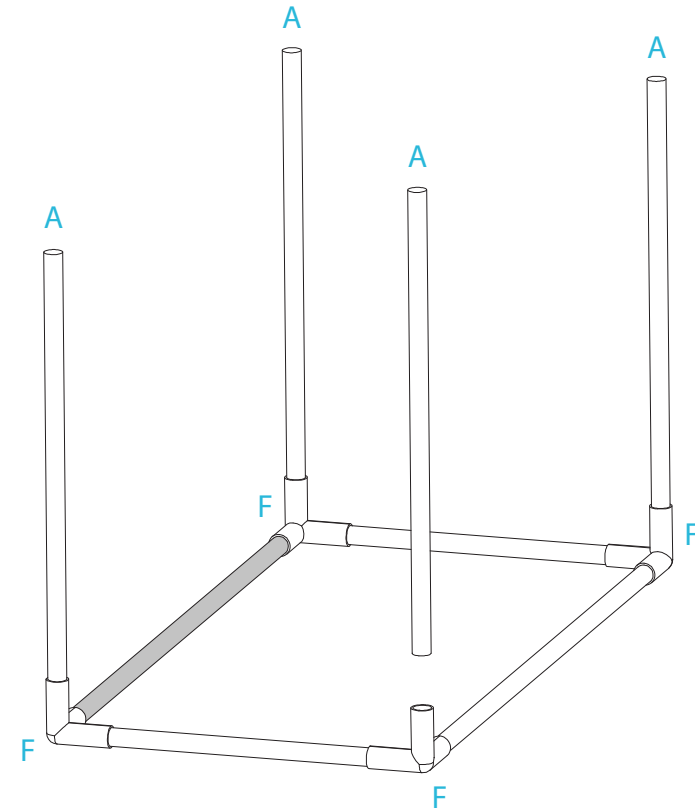
mocka

1



Slide 1x pole cover (L) over 1x 783 mm pole (E) as shown. Attach 2x 368mm poles (B) and 2x 783mm poles (E) together using 4x connectors (F).

2



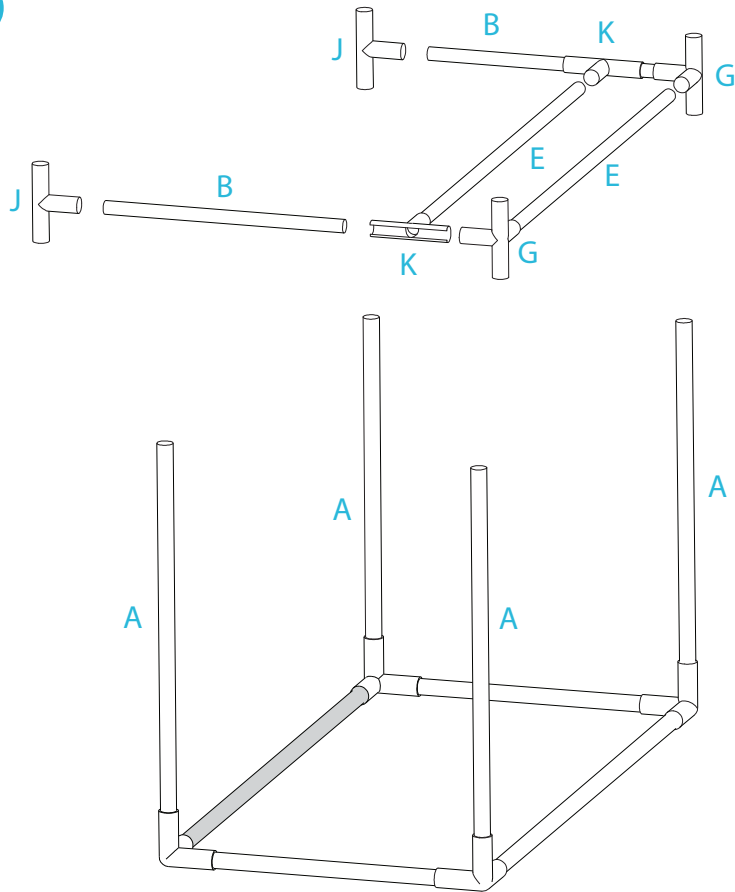
Attach 4x 510mm poles (A) into the connectors (F).

# Lemonade Stand

## Assembly Instructions

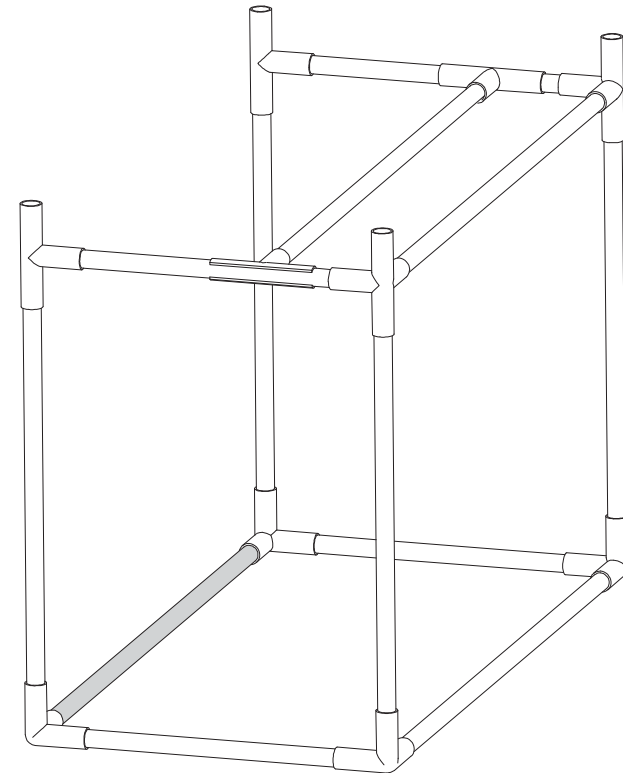
mocka

3



Attach 2x connectors (G) and 2x connectors (J) to the poles (A) as shown. Attach the corresponding 2x 368mm poles (B) and 2x 783mm poles (E) using 2x connectors (K).

4



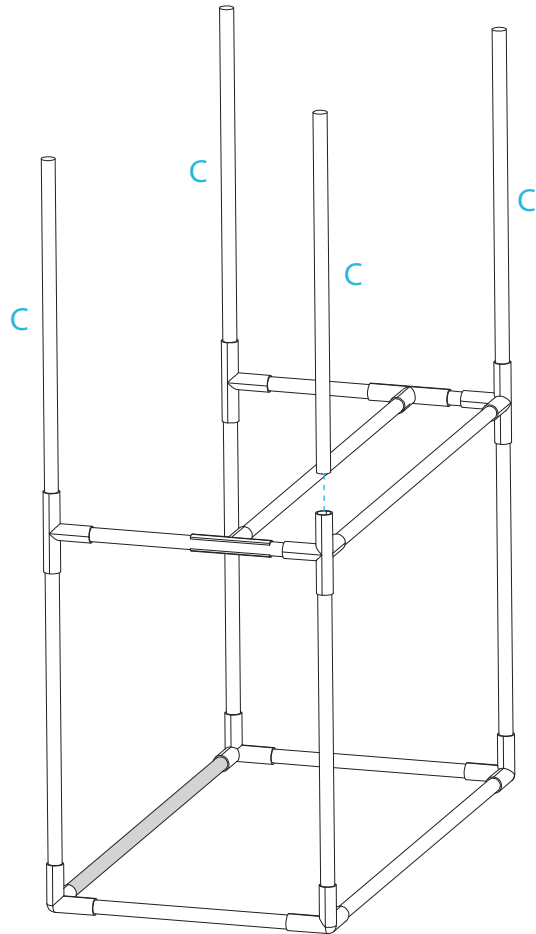
Ensure the poles are connected firmly into the connectors and the structure stands rigid.

# Lemonade Stand

## Assembly Instructions

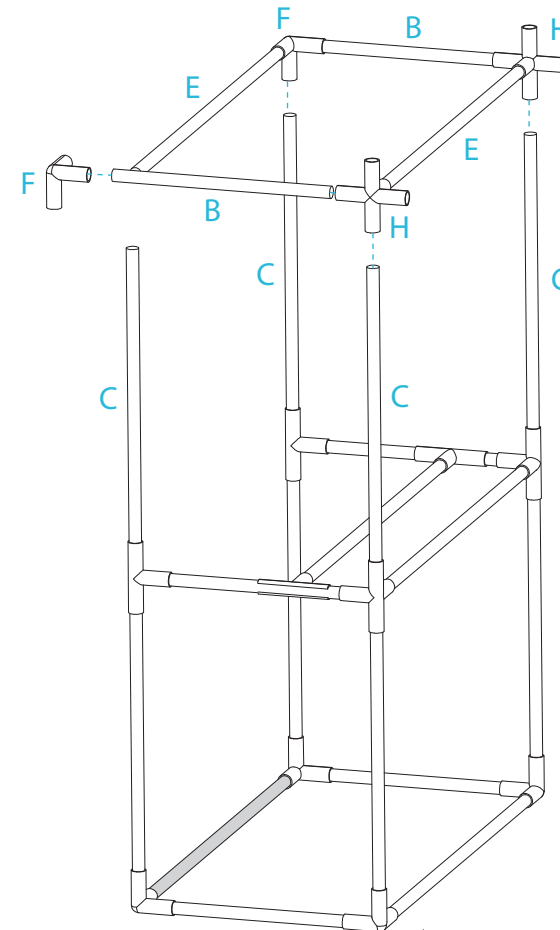
mocka

5



Insert 4x 530mm poles (C) into the connectors as shown.

6

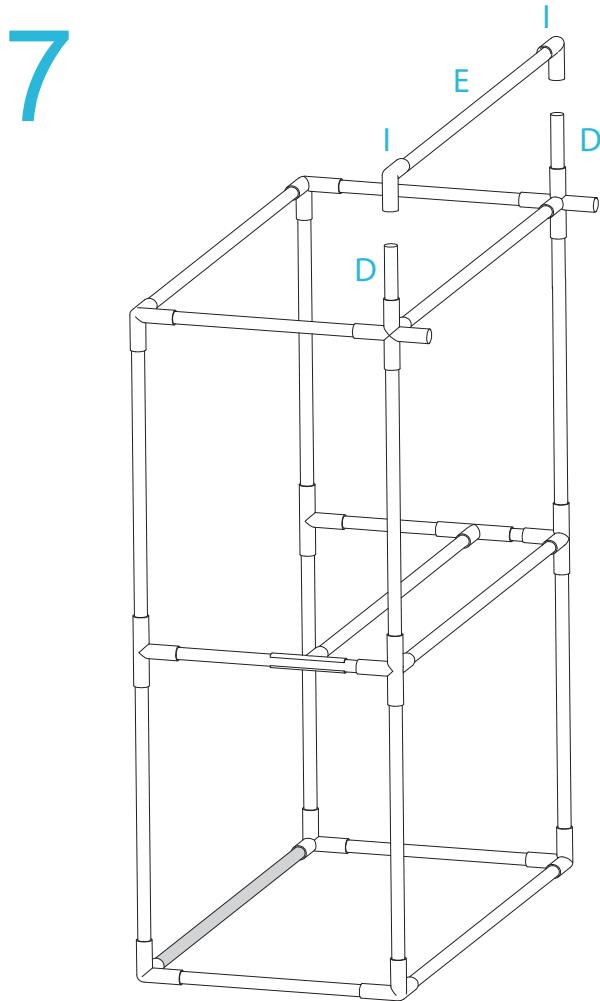


Attach 2x connectors (F) and 2x connectors (H) to the poles (C) as shown. Attach the corresponding 2x 368mm poles (B) and 2x 783mm poles (E).

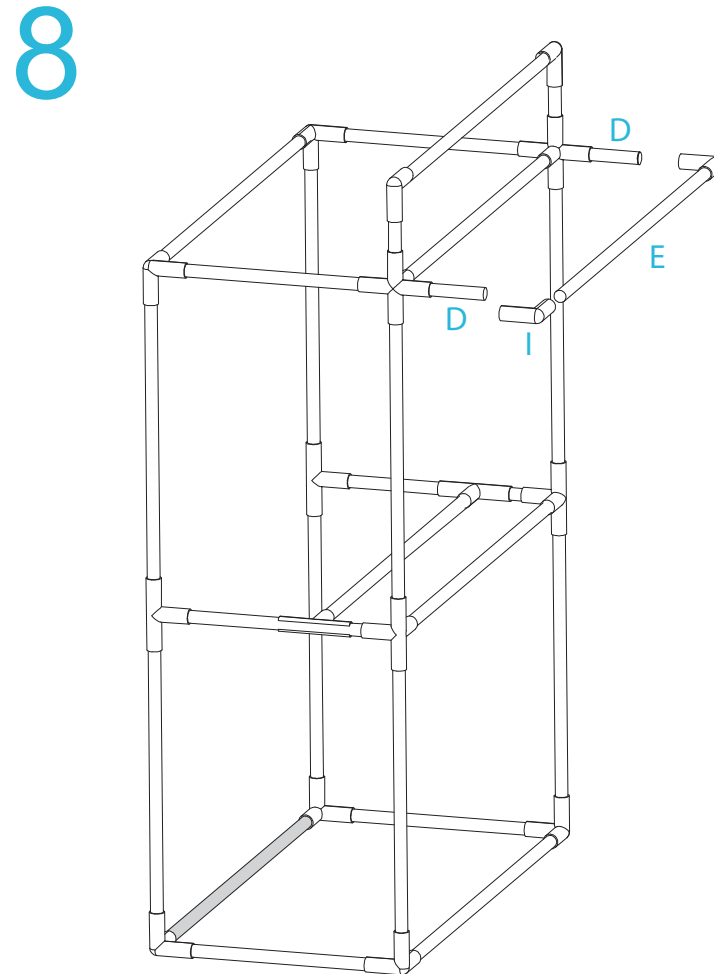
# Lemonade Stand

## Assembly Instructions

mocka



Attach 2x 90mm poles (D) as shown, then attach 1x 783mm poles (E) to them using 2x connectors (I).



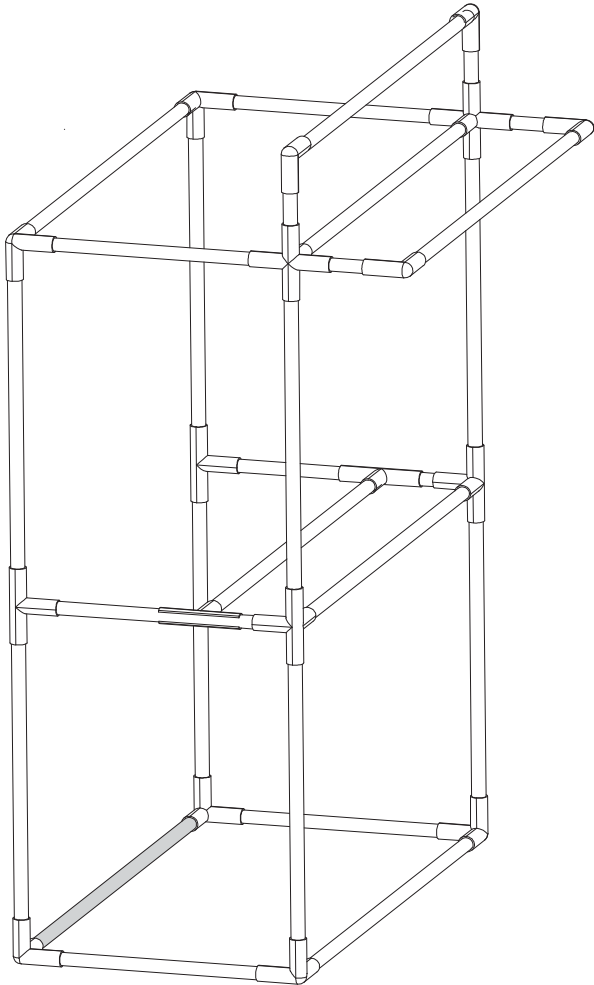
Attach 2x 90mm poles (D) as shown, then attach 1x 783mm poles (E) to them using 2x connectors (I).

# Lemonade Stand

## Assembly Instructions

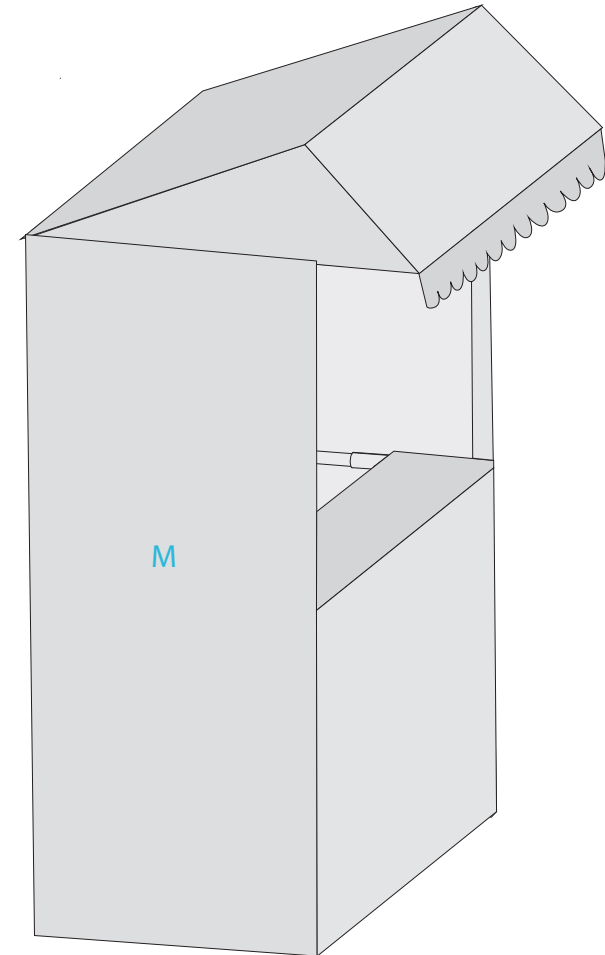
mocka

9



Ensure the pole structure stands rigid and the poles are in their connectors firmly.

10



Pull the house cover (M) over the structure and secure the velcro tabs around the corresponding poles. You're done, enjoy!