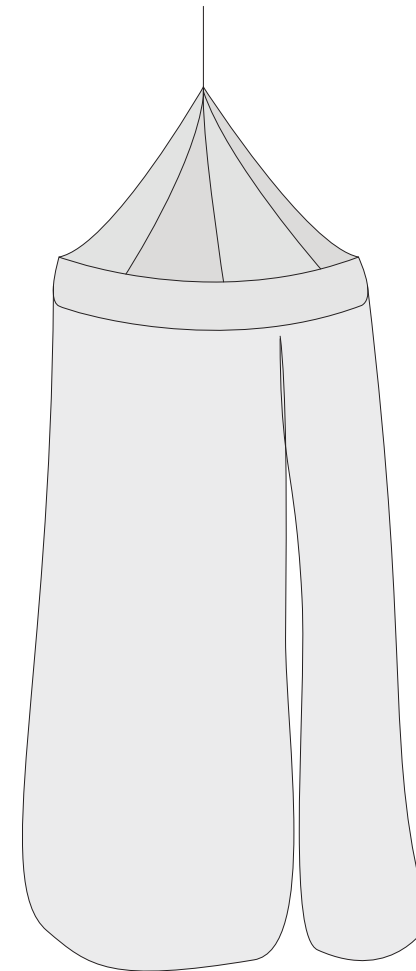
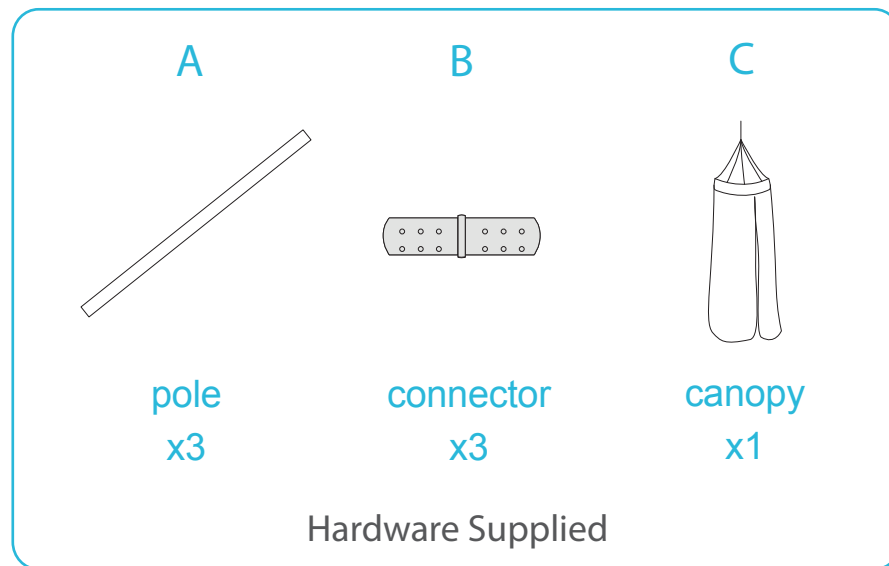


Mia Canopy

Assembly Instructions

Thank you for your purchase.
Please follow the instructions below for correct assembly.

mocka



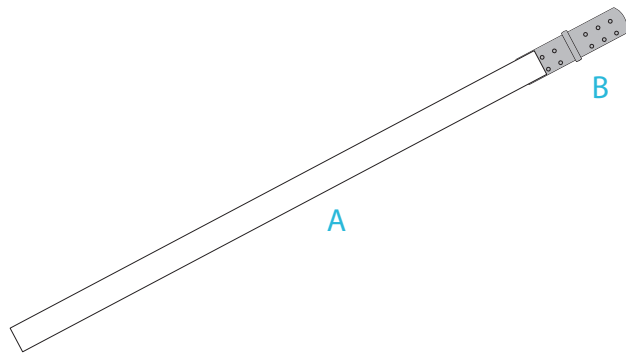
WARNING: KEEP AWAY FROM FIRE/FLAME
ASSEMBLY OF THIS ITEM SHOULD BE PREFORMED BY AN ADULT ONLY

Mia Canopy

Assembly Instructions

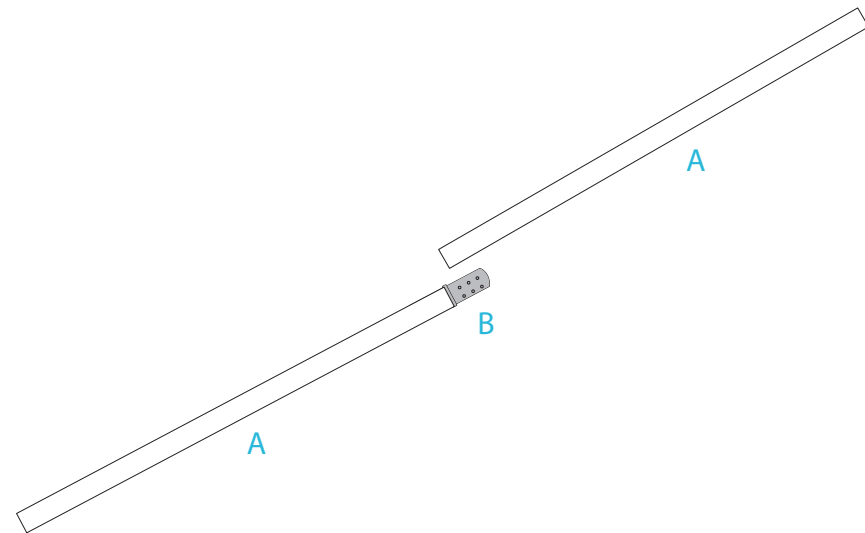
mocka

1



Attach 1x connector (B) to 1x pole (A).

2



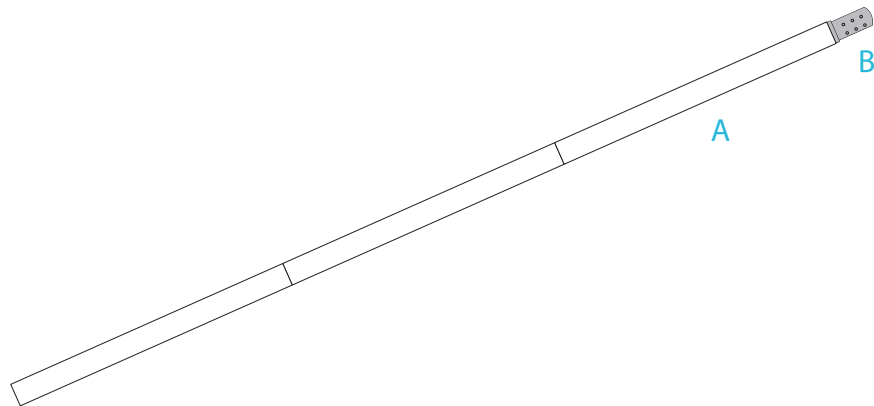
Attach another pole (A) to the connector (B).

Mia Canopy

Assembly Instructions

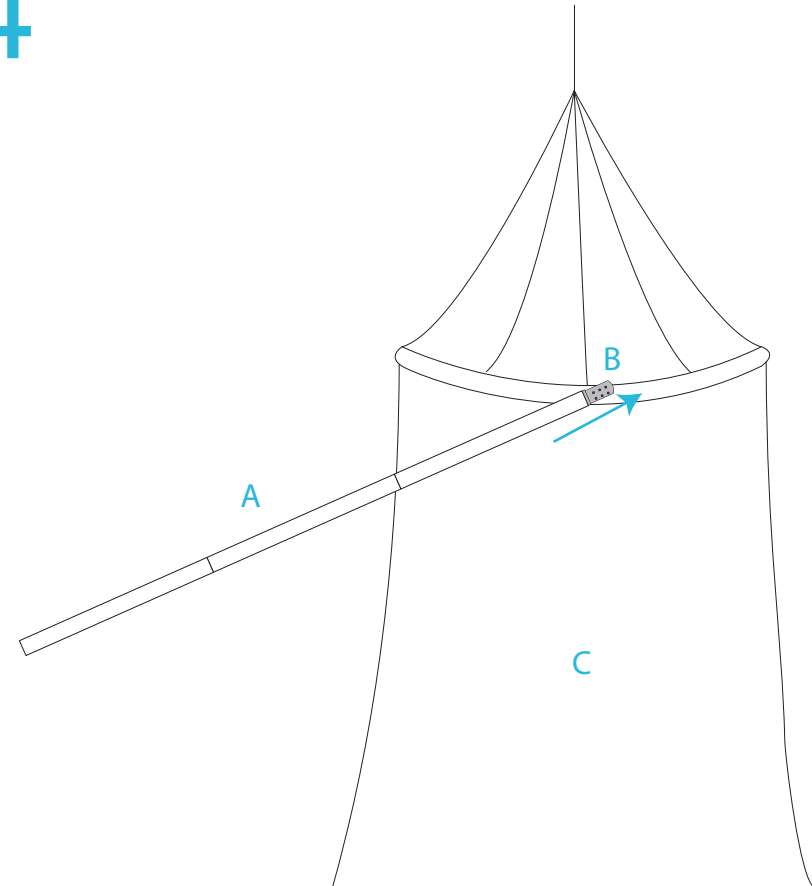
mocka

3



Attach the third pole (A) to another connector (B), and attach one more connector (B) to the end.

4



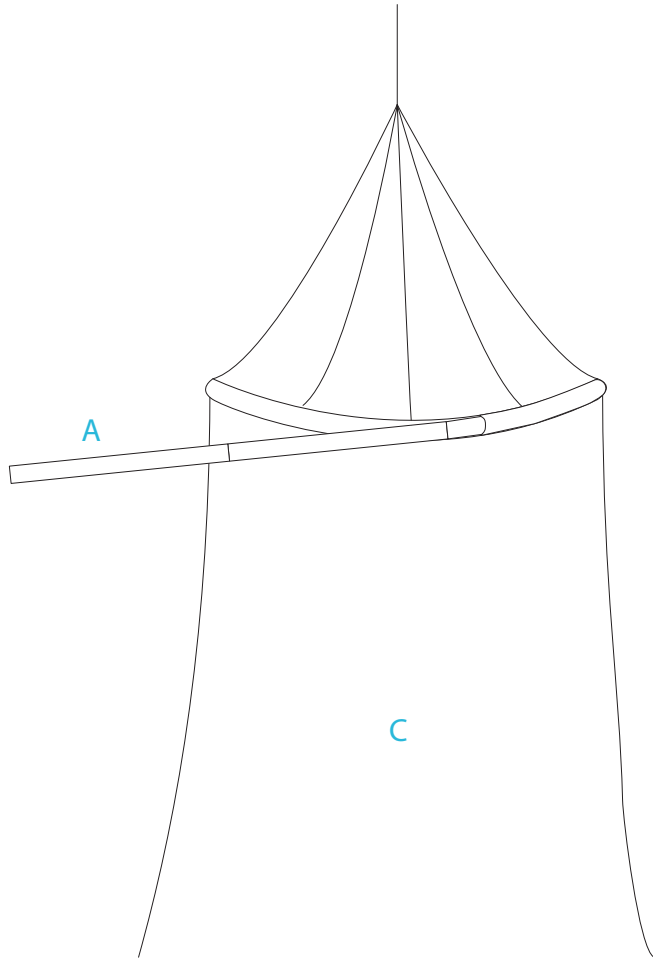
Insert the pole into the inner sleeve of the canopy (C) as shown.

Mia Canopy

Assembly Instructions

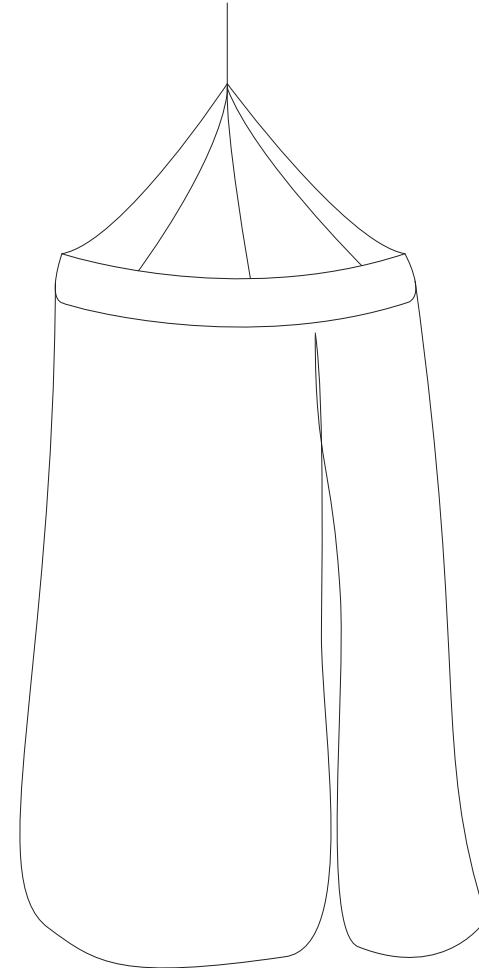
mocka

5



Connect the poles (A) together inside the sleeve.

6



You're done, enjoy!