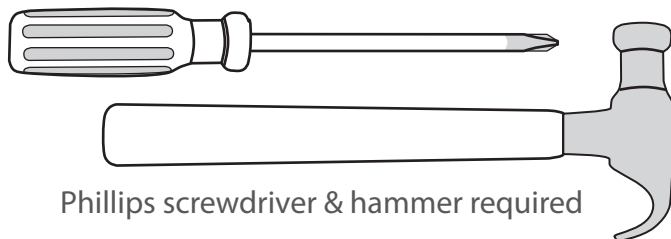
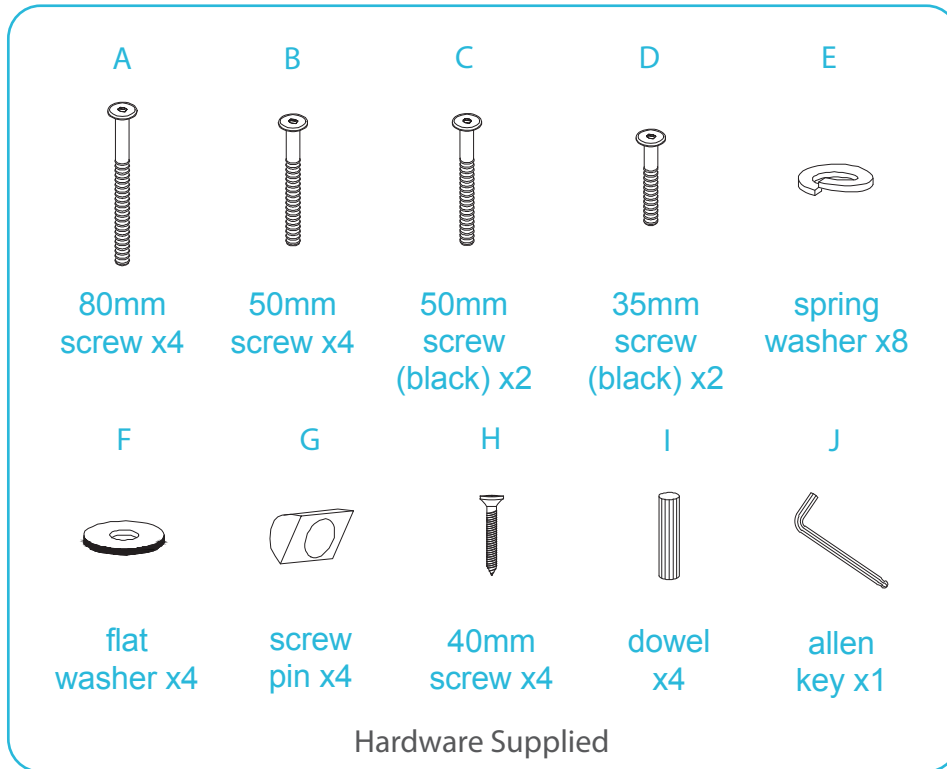


Kris Chair

Assembly Instructions

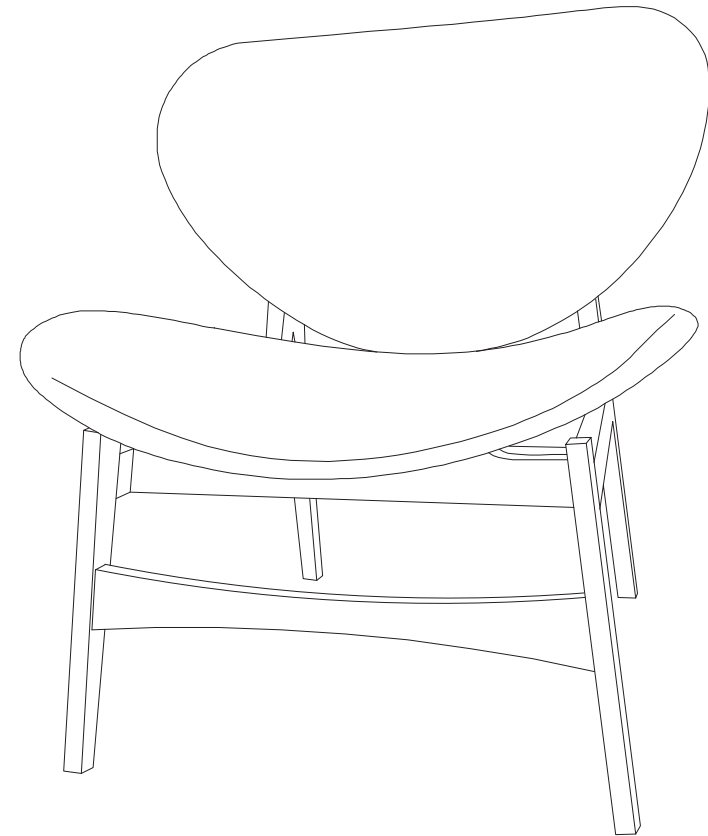
Thank you for your purchase.
Please follow the instructions below for correct assembly.

mocka



Phillips screwdriver & hammer required

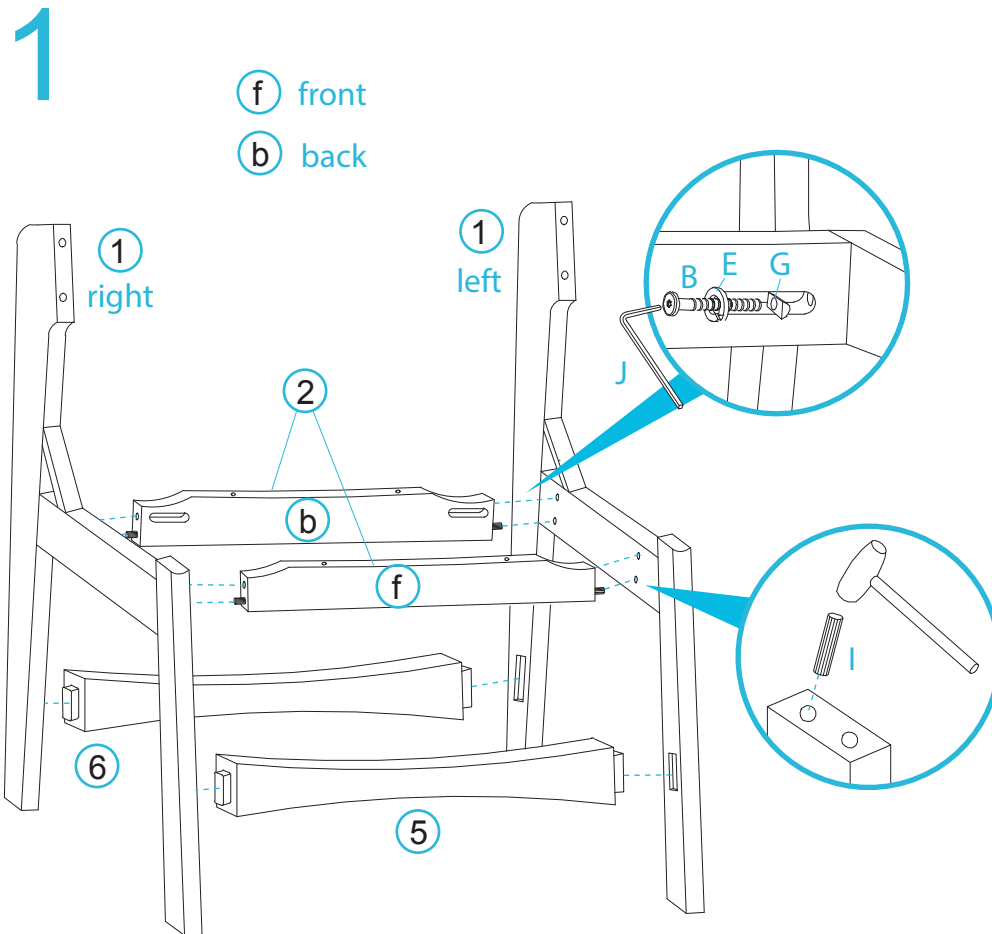
For quicker assembly, we recommend the use of a power drill on a low-speed setting.



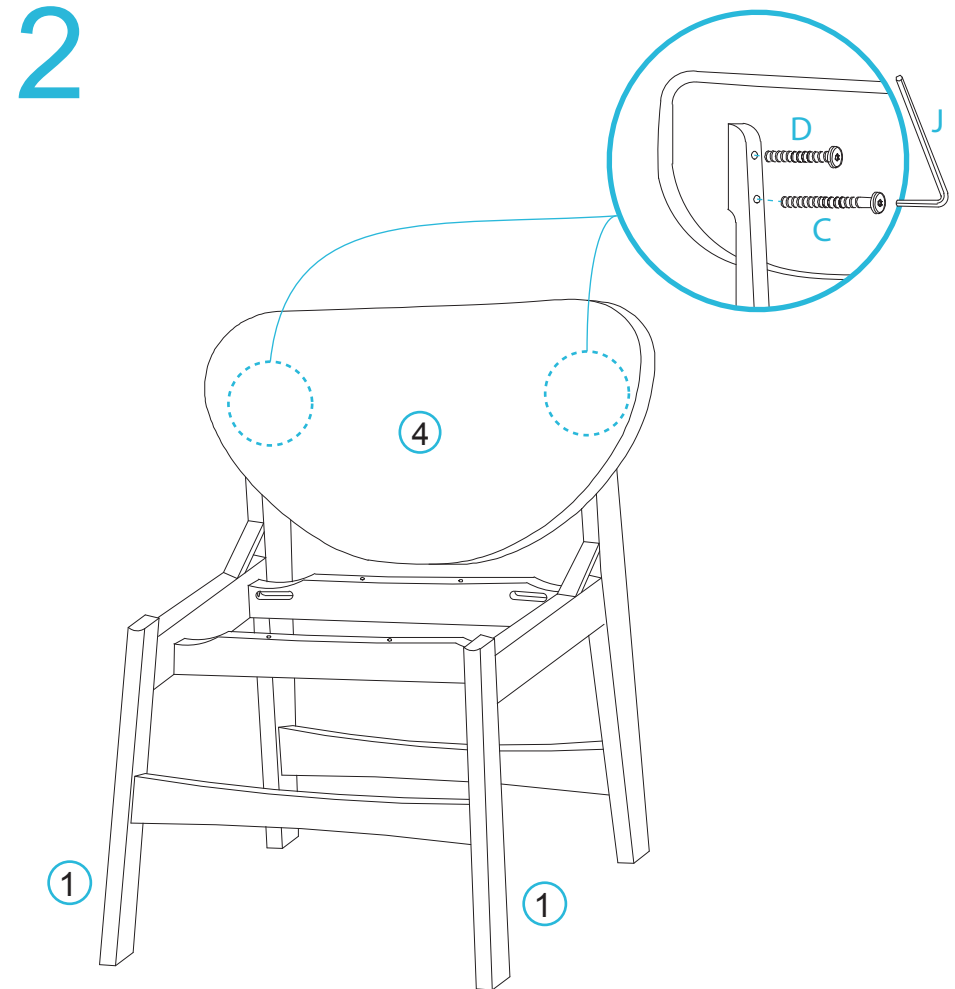
Kris Chair

Assembly Instructions

mocka



Attach the left and right chair legs [1] to the front and back centre rails [2] using 2x dowels (I), 4x 50mm screws (B), 4x spring washers (E) and 4x screw pins (E) as shown. Tighten with the allen key (J). Slot the front rail [5] and back rail [6] in between the legs.



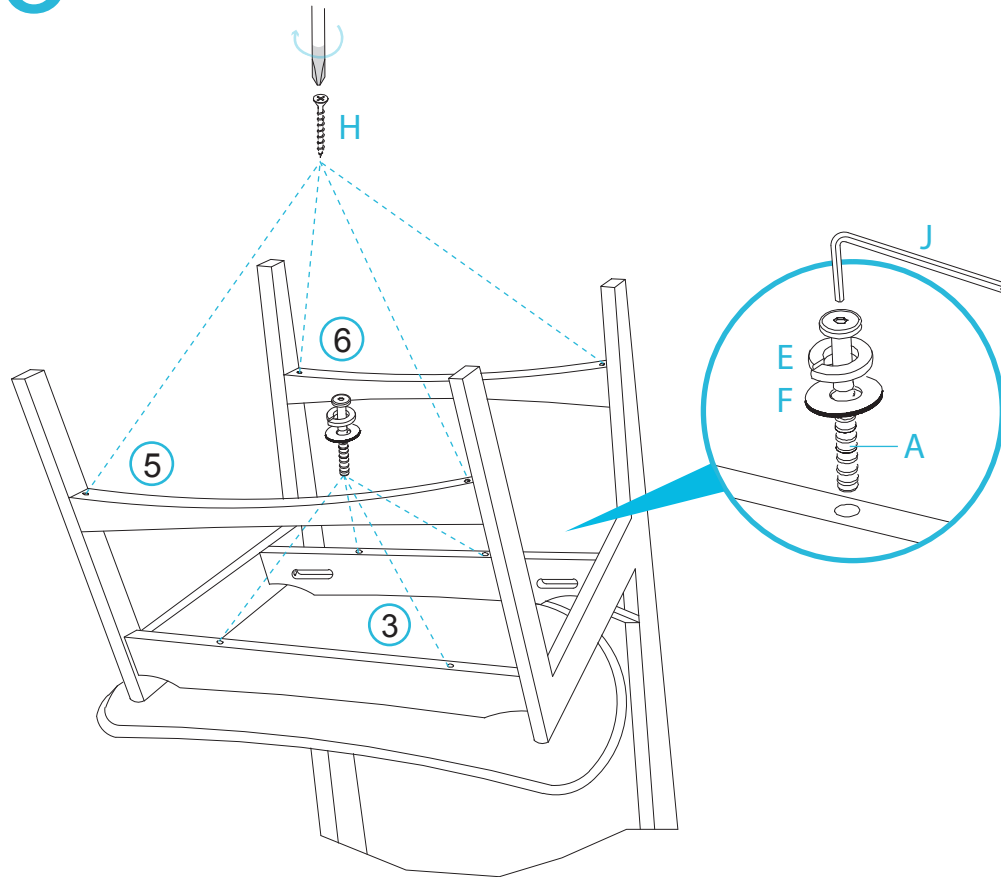
Attach the back rest [4] to the left and right chair legs [1] using 2x 50mm black screws (C) and 2x 35mm black screws (D). Tighten with the allen key (J).

Kris Chair

Assembly Instructions

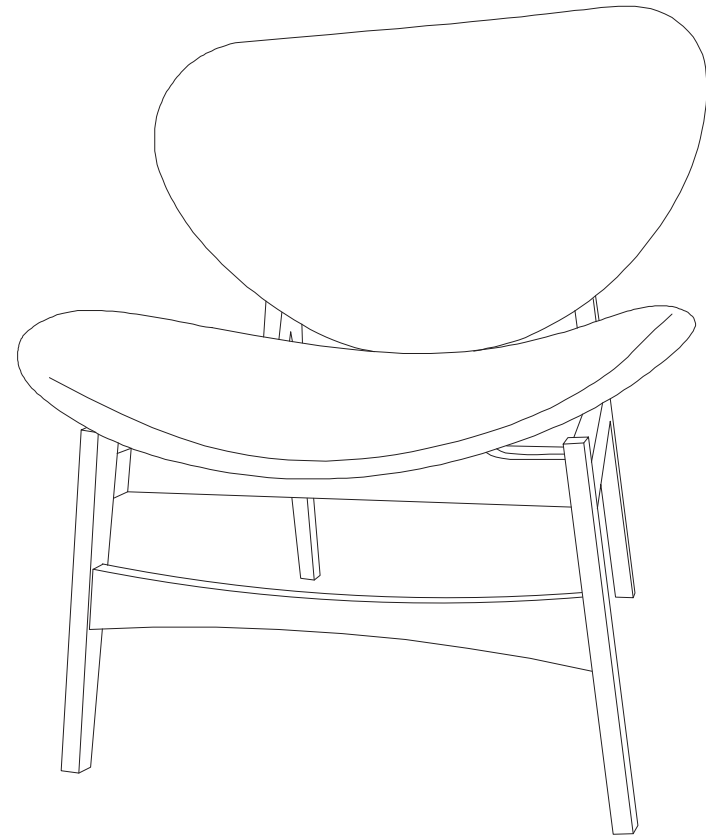
mocka

3



Carefully turn the chair over and attach the chair seat [3] using 4x 80mm screws (A), 4x spring washers (E) and 4x flat washers (F), tightening with the allen key (J). Secure the front rail [5] and back rail [6] with 4x 40mm screws (H) and tighten with a screwdriver.

4



Carefully turn the chair over onto its legs, ensuring it is balanced and steady before use. You're done, enjoy!