
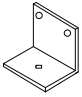
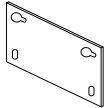




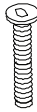

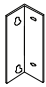



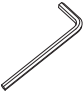
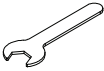


Darcy Bed

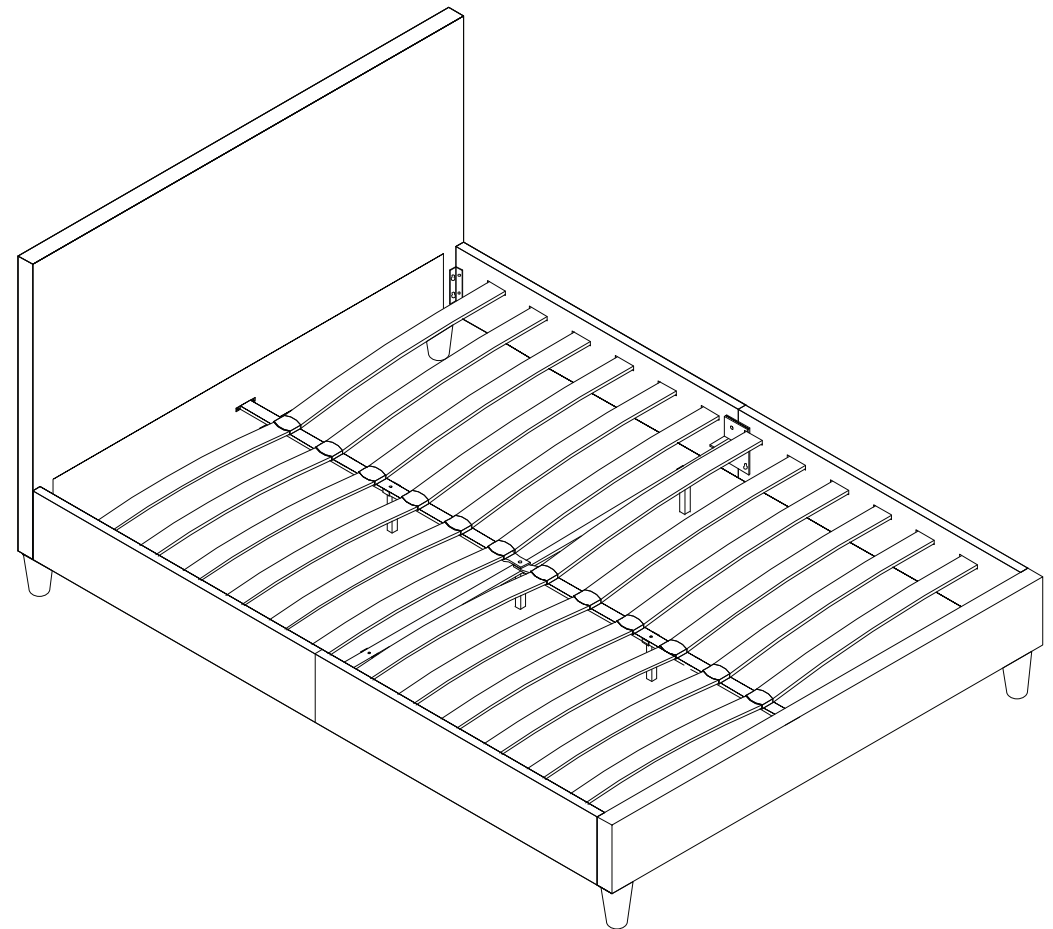
Assembly Instructions

mocka

Thank you for your purchase.
Please follow the instructions below for correct assembly.

A  double cap x12	B  connector x2	C  connector x2	D  25mm bolt x8	E  spring washer x8
F  washer x12	G  nut x2	H  35mm bolt x1	I  25mm bolt x6	L  left plate x2
R  right plate x2	N  20mm bolt x20	T-2  allen key x1	T-3  allen key x1	T-4  spanner x1

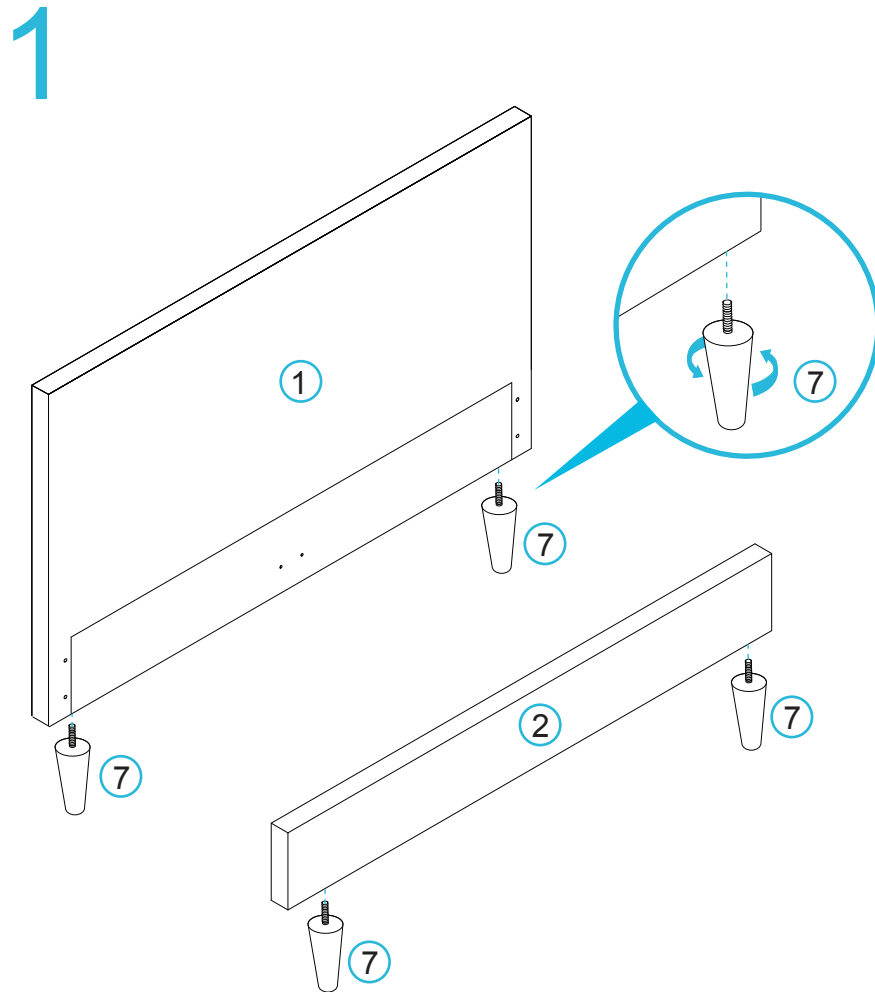
Hardware Supplied



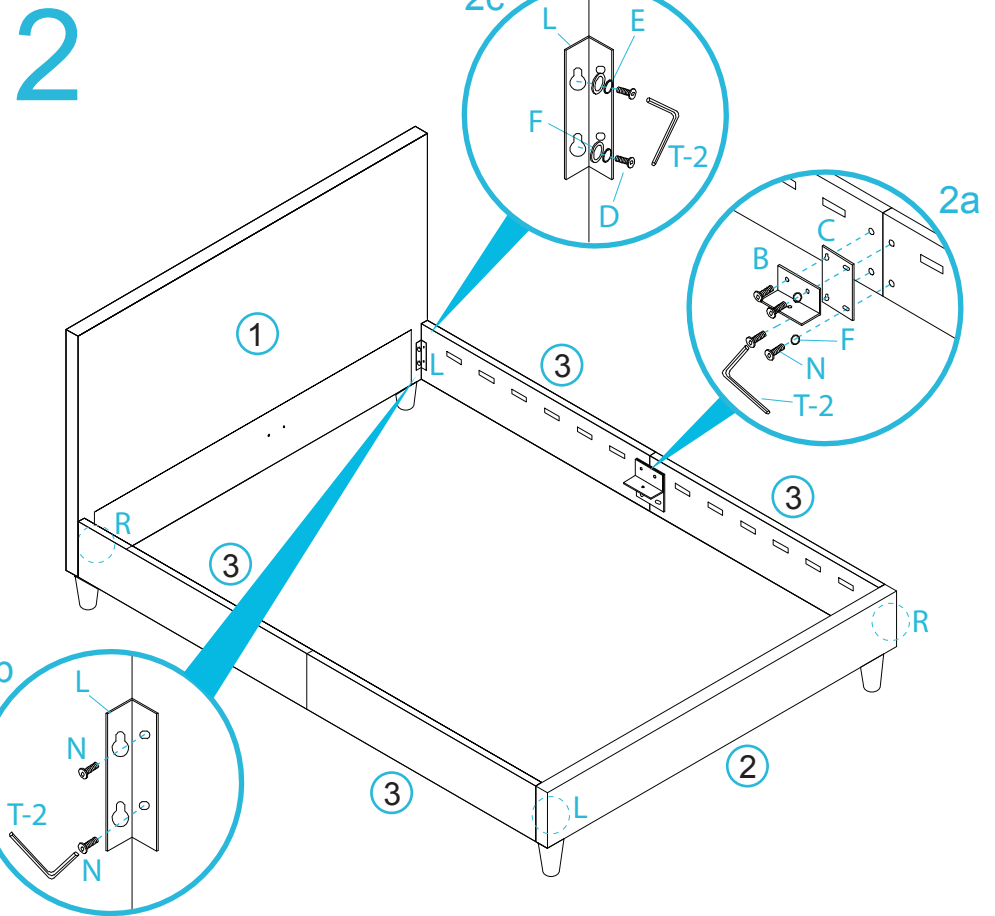
Darcy Bed

Assembly Instructions

mocka



Attach the leg panels [7] to the bottoms of panels [1] and [2] as shown.



2a: Join panels [3] together as shown using 2x connectors (C) and 2x connectors (B) and secure with 4x washers (F) and 8x 20mm bolts (N). Tighten with the allen key (T-2).

2b: Attach panels [3] to panels [1] and [2] using 2x left plates (L) and 2x right plates (R) as shown. Secure with 8x 20mm bolts (N) and the allen key (T-2).

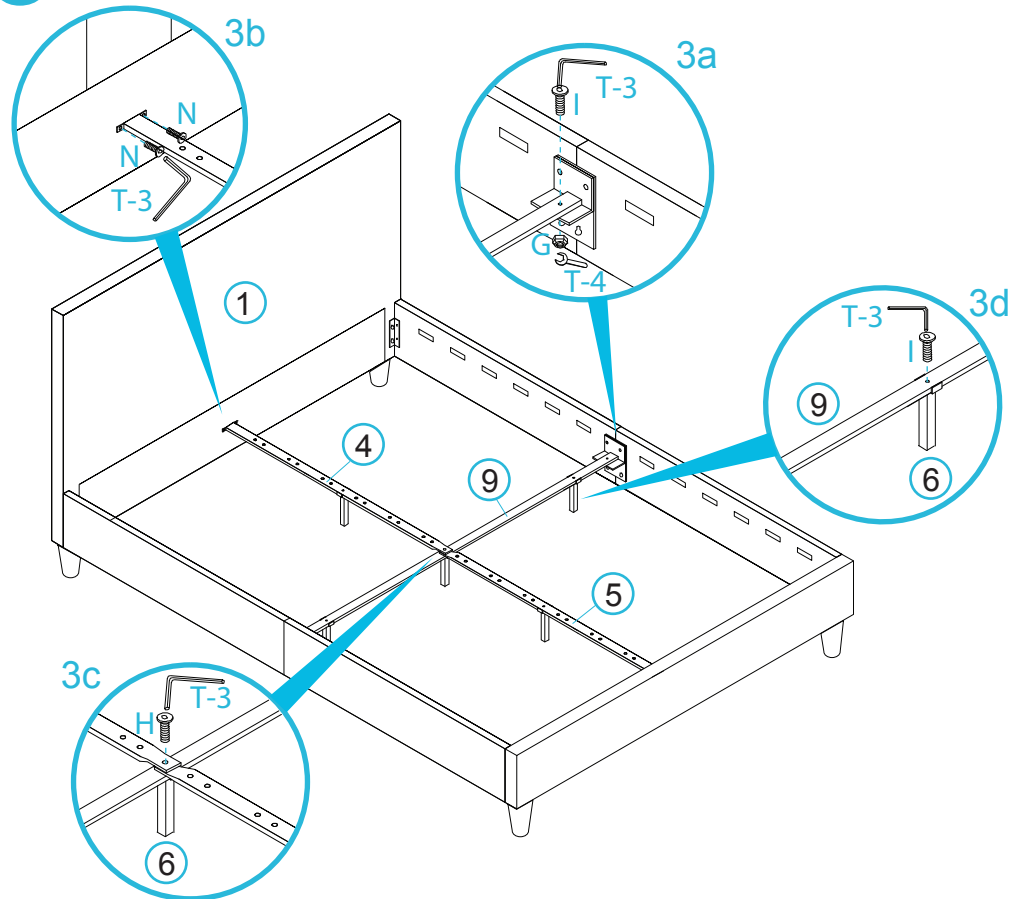
2c: Secure the other side of the plates as shown using 8x washers (F), 8x spring washers (E), and 8x 25mm bolts (D). Tighten with the allen key (T-2).

Darcy Bed

Assembly Instructions

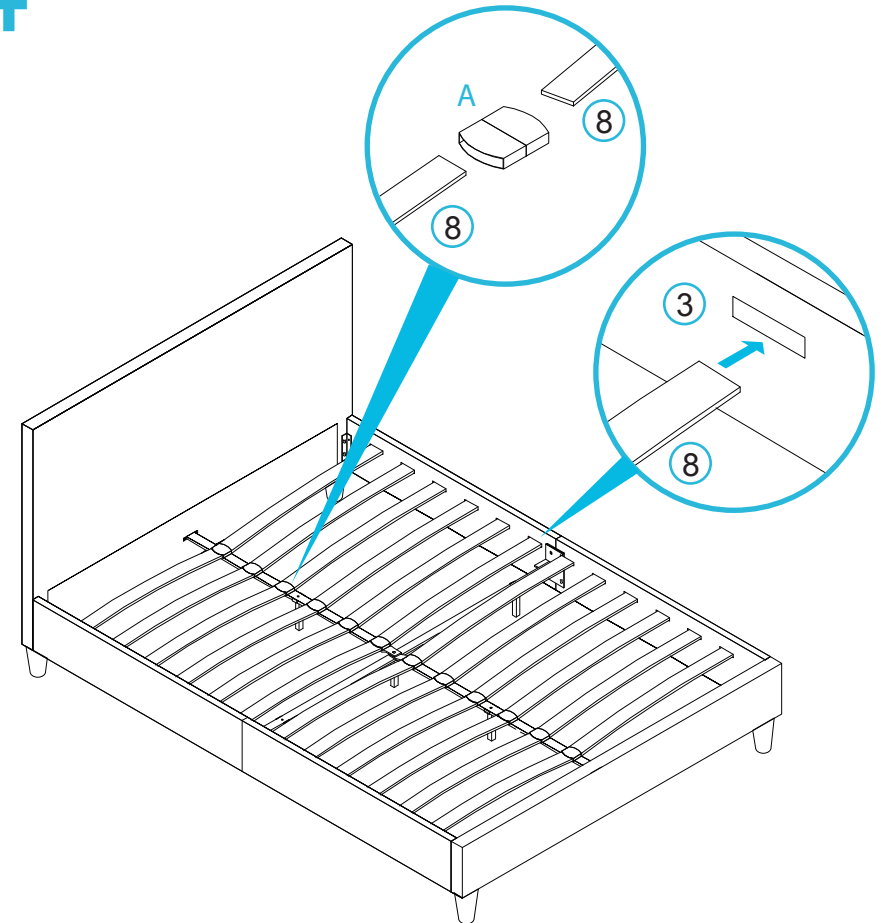
mocka

3



3a: Attach panel [9] to connectors (B) using 2x 25mm bolts (I) and 2x nuts (G). Tighten with the allen key (T-3) and spanner (T-4). **3b:** Attach panels [4] and [5] as shown using 4x 20mm bolts (N). **3c:** Secure the centre join and leg [6] as shown with 1x 35mm bolt (H). **3d:** Attach the other legs [6] as shown using 4x 25mm bolts (I). Tighten with the allen key (T-3).

4



Join each panel [8] to a double cap (A) and attach to panels [4] and [5]. Slot the ends of panels [8] into panels [3] as shown. Carefully lift the bed into the desired position, do not drag. You're done, enjoy!