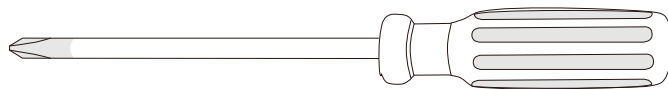
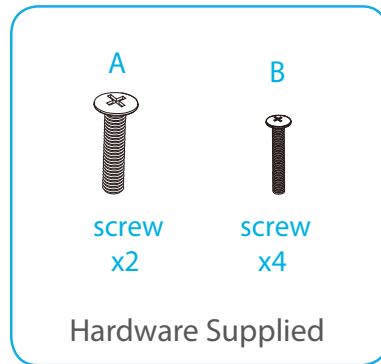


Felix Wooden Playgym

Assembly Instructions

Thank you for your purchase.
Please follow the instructions below for correct assembly.

mocka



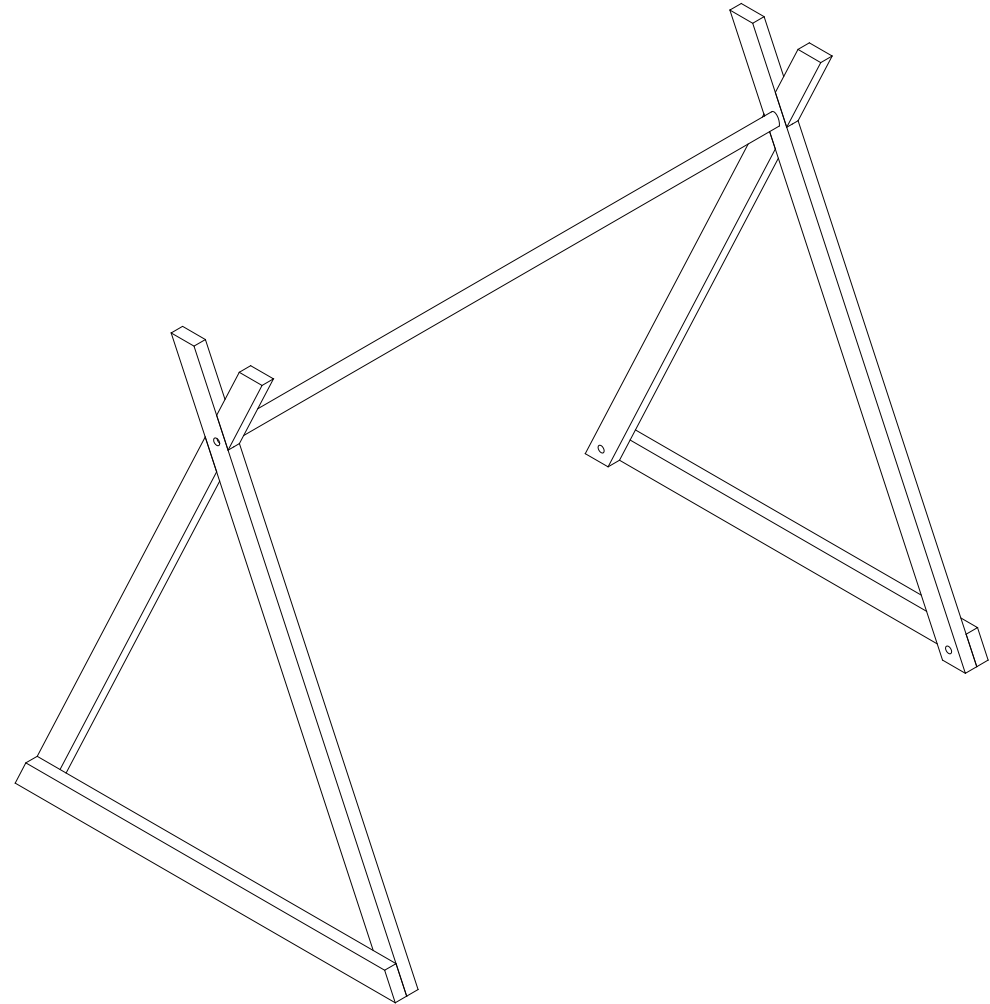
Phillips & Flathead screwdrivers required.

For quicker assembly, we recommend the use of a power drill on a low-speed setting.



WARNING

The parts of the play gym in their unassembled state contain potentially hazardous small parts and should be assembled by an adult.

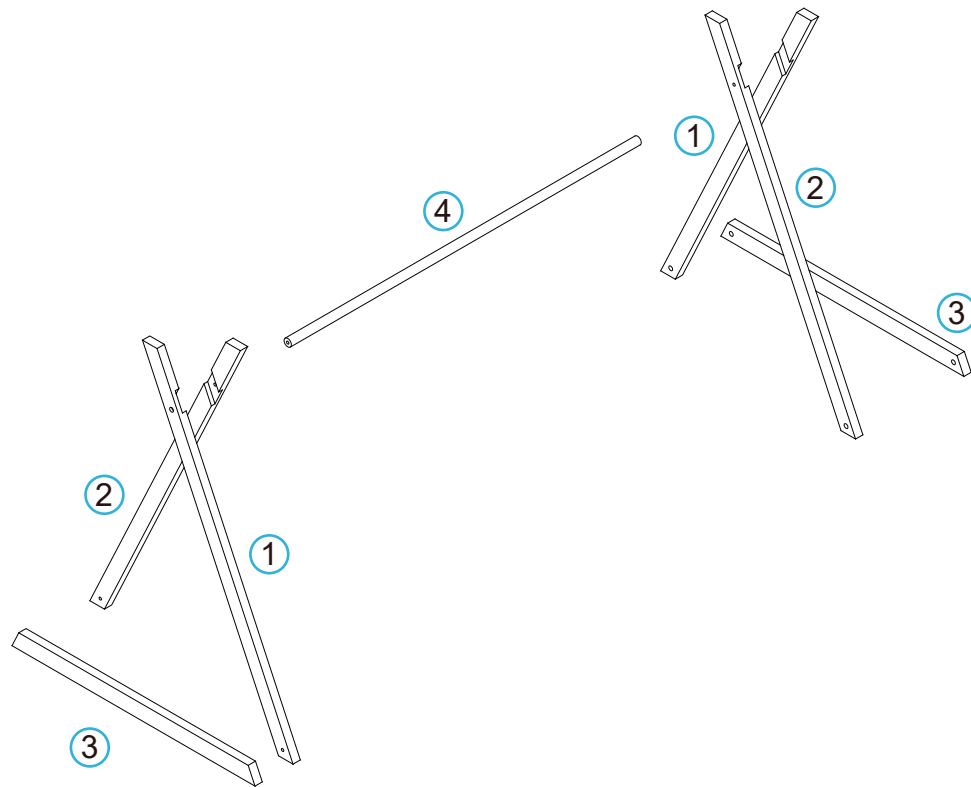


Felix Wooden Playgym

Assembly Instructions

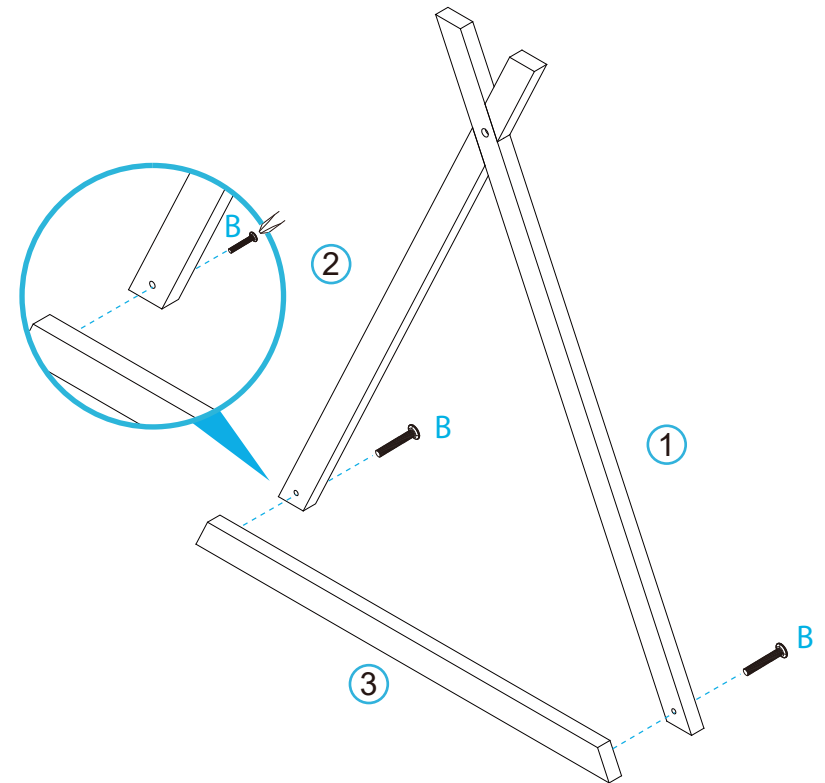
mocka

1



To begin, lay out the panels as shown.

2



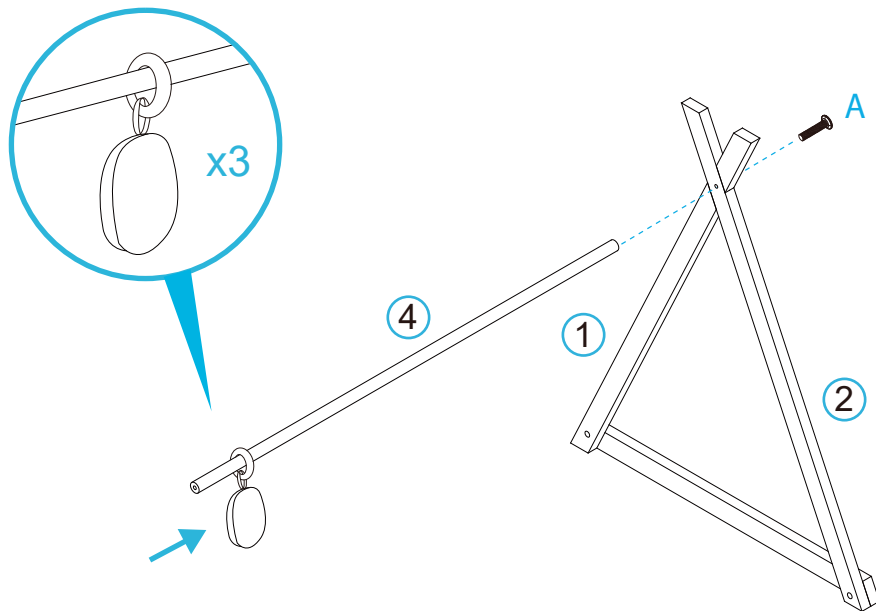
Attach panel [3] to panels [1] and [2] using 2x screws (B). Tighten with a screwdriver. Repeat for the other side of the gym.

Felix Wooden Playgym

Assembly Instructions

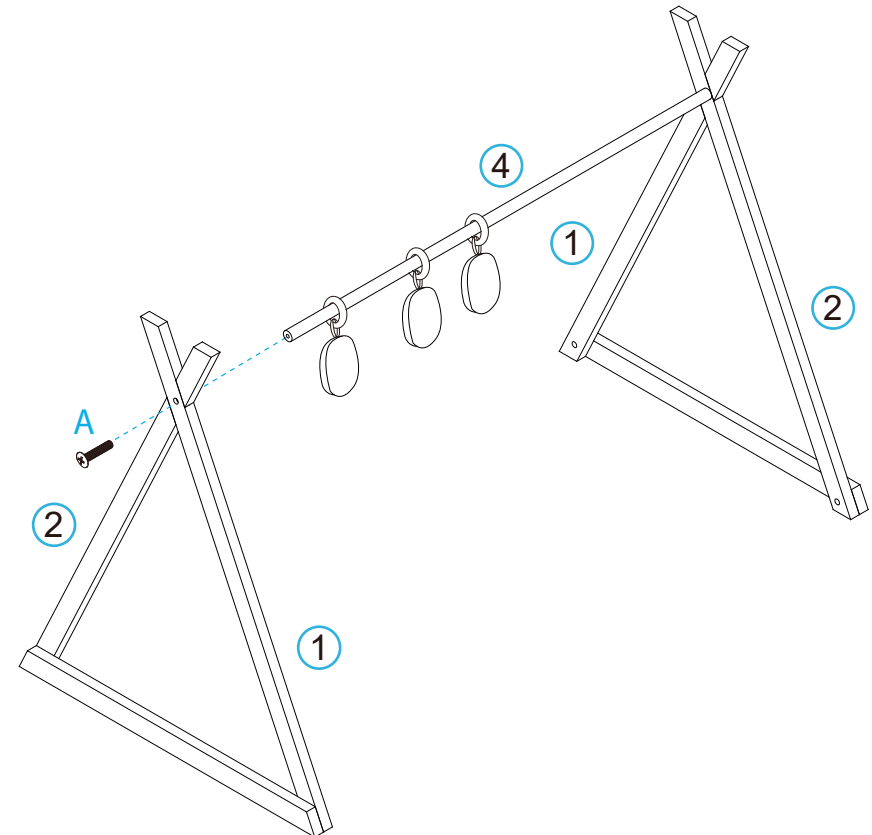
mocka

3



Attach one side (panels [1] and [2]) to one end of panel [4] using 1x screw (A). Tighten with a screwdriver. Slide three toys along panel [4].

4



Attach the other side (panels [1] and [2]) to the other end of panel [4]. Tighten with a screwdriver. You're done, enjoy!