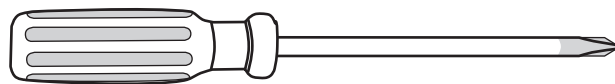
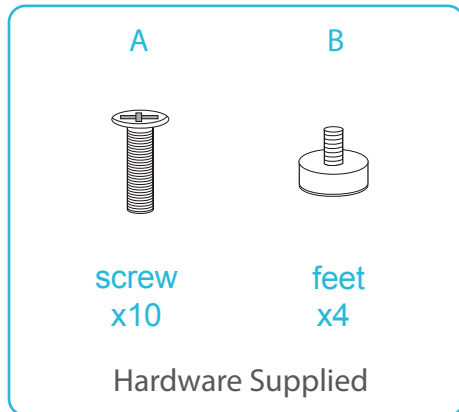


# Stella Side Table

## Assembly Instructions

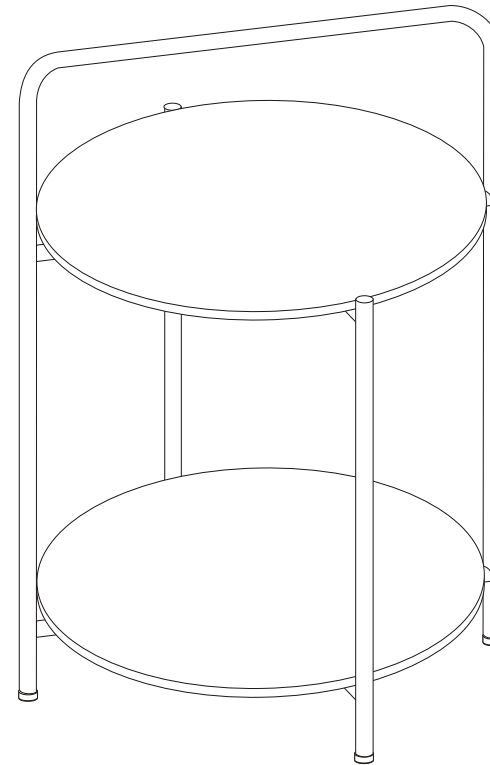
Thank you for your purchase.  
Please follow the instructions below for correct assembly.

# mocka



Phillips screwdriver required

For quicker assembly, we recommend the use of a power drill on a low-speed setting.

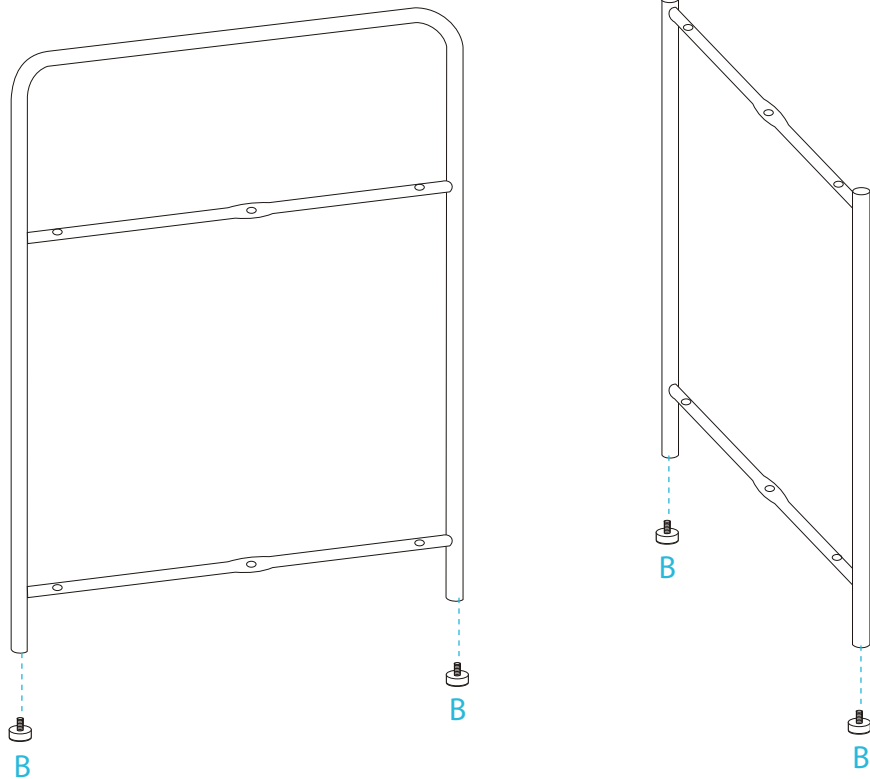


# Stella Side Table

## Assembly Instructions

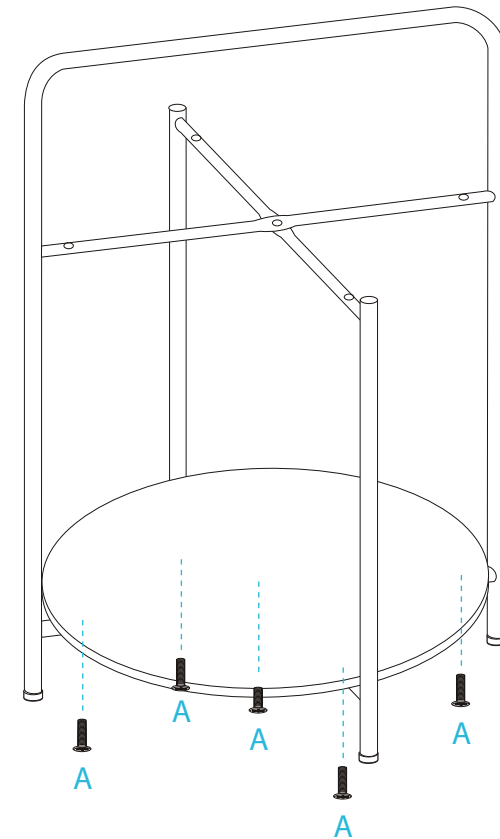
mocka

1



Attach 4x feet (B) to the ends of the side panels as shown.

2



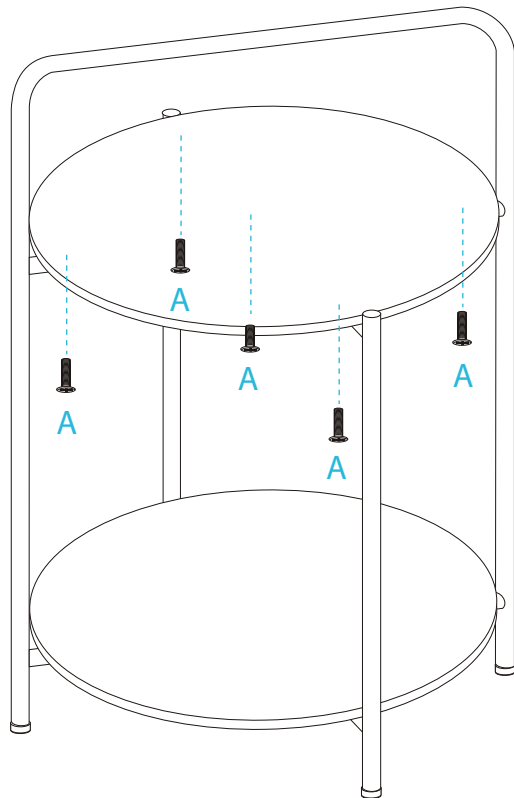
Attach the side panels to one another as shown, and secure to the underside of the bottom shelf using 5x screws (A). Tighten with a screwdriver.

# Stella Side Table

## Assembly Instructions

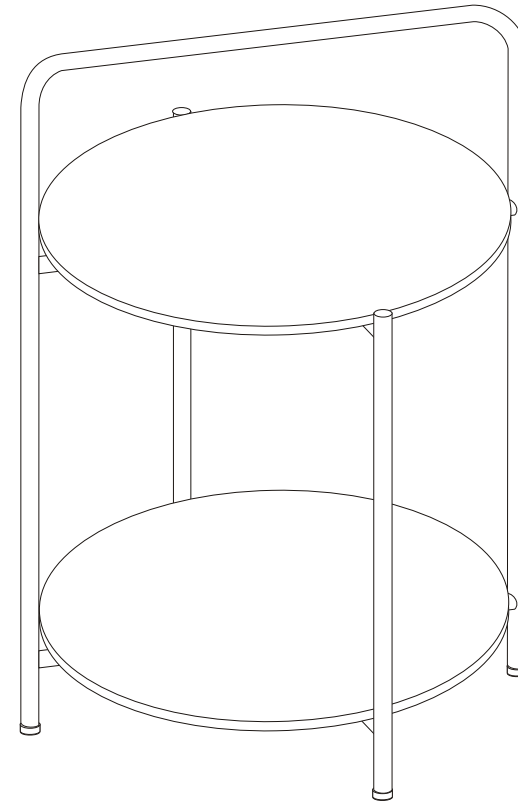
mocka

3



Secure the underside of the top shelf to the frame using 5x screws (A). Tighten with a screwdriver.

4



You're done, enjoy!