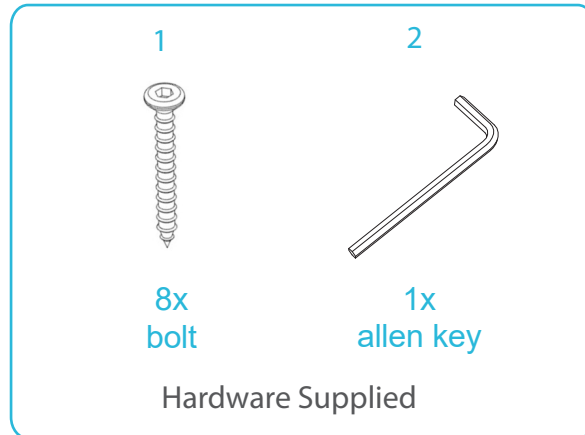


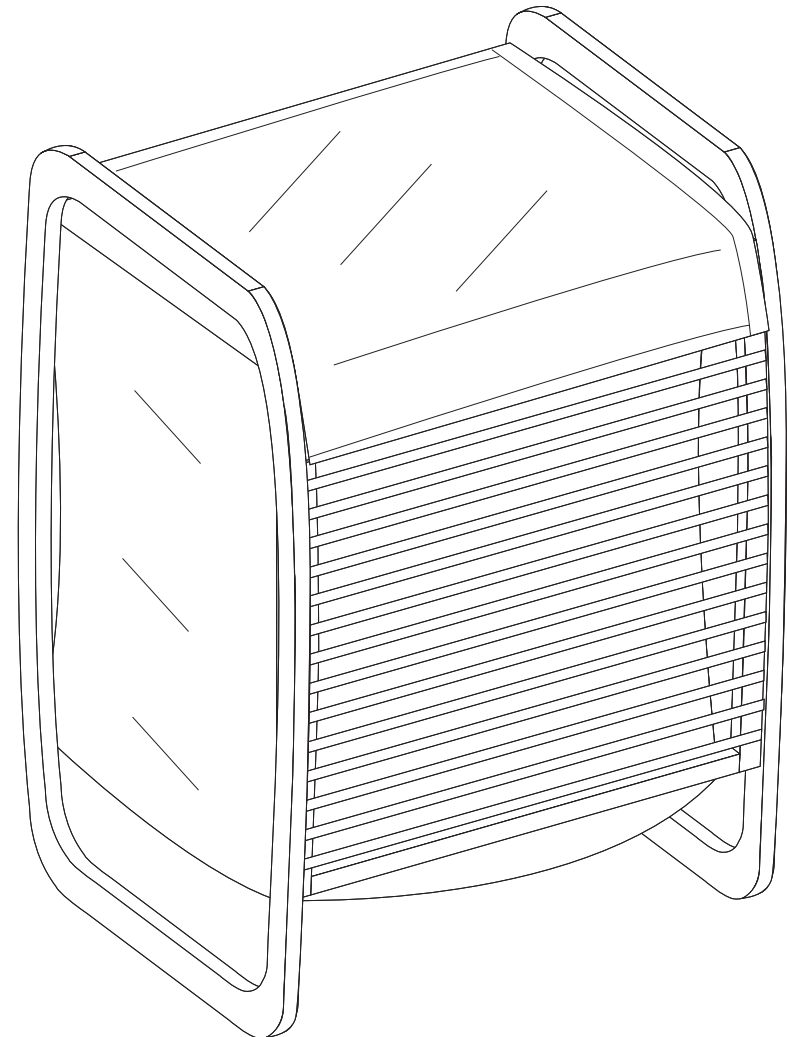
# Billy Laundry Basket

## Assembly Instructions

Thank you for your purchase.  
Please follow the instructions below for correct assembly.



# mocka

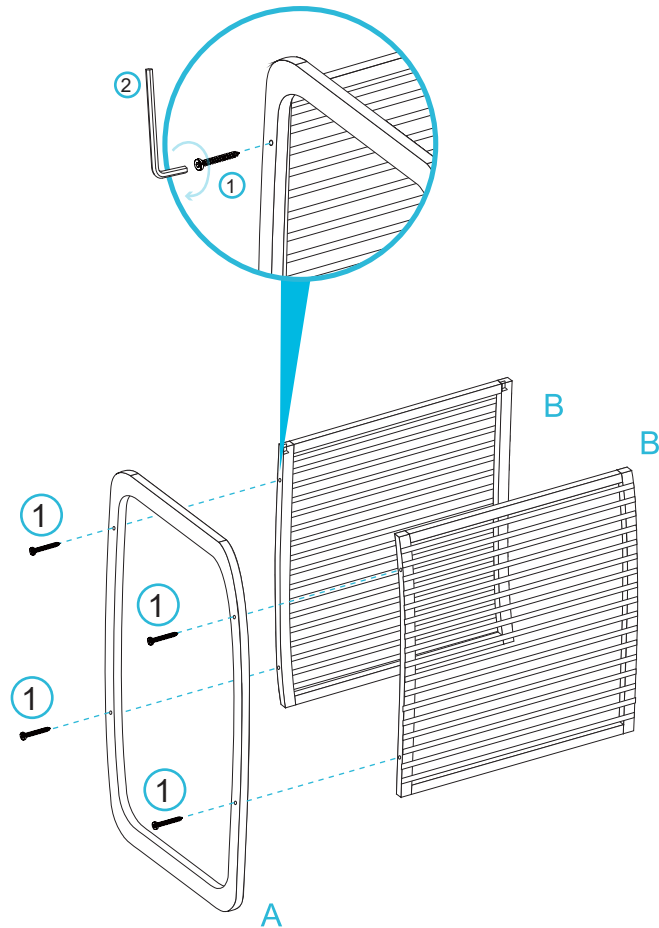


# Billy Laundry Basket

## Assembly Instructions

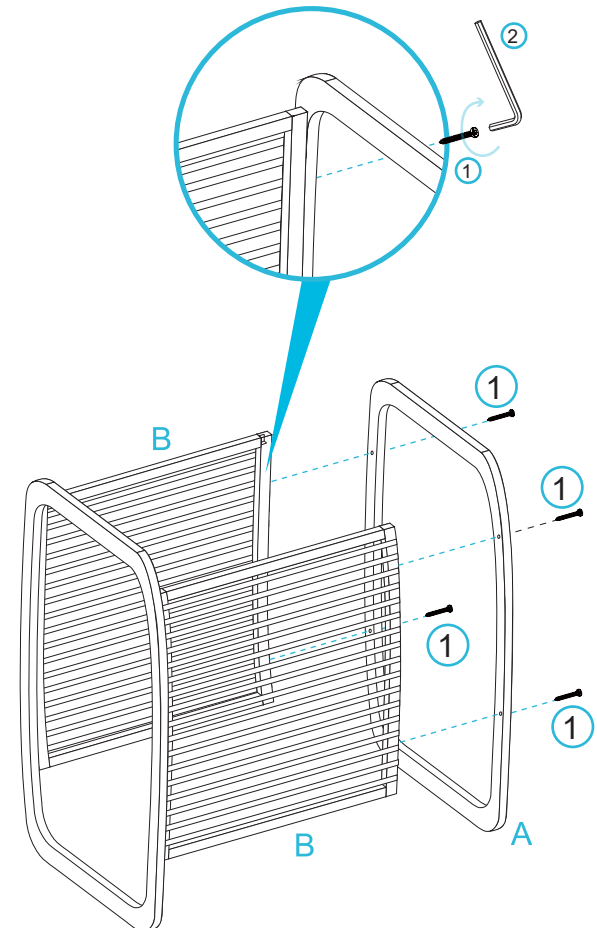
mocka

1



Attach 2x panel [B] to 1x panel [A] with 4x bolts (1).  
Tighten all bolts with allen key (2).

2



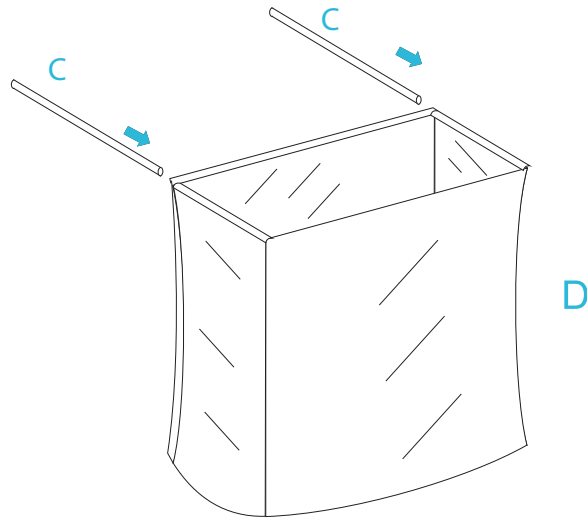
Attach panel [A] to panels [B] with 4x bolts (1).  
Tighten all bolts with allen key (2).

# Billy Laundry Basket

## Assembly Instructions

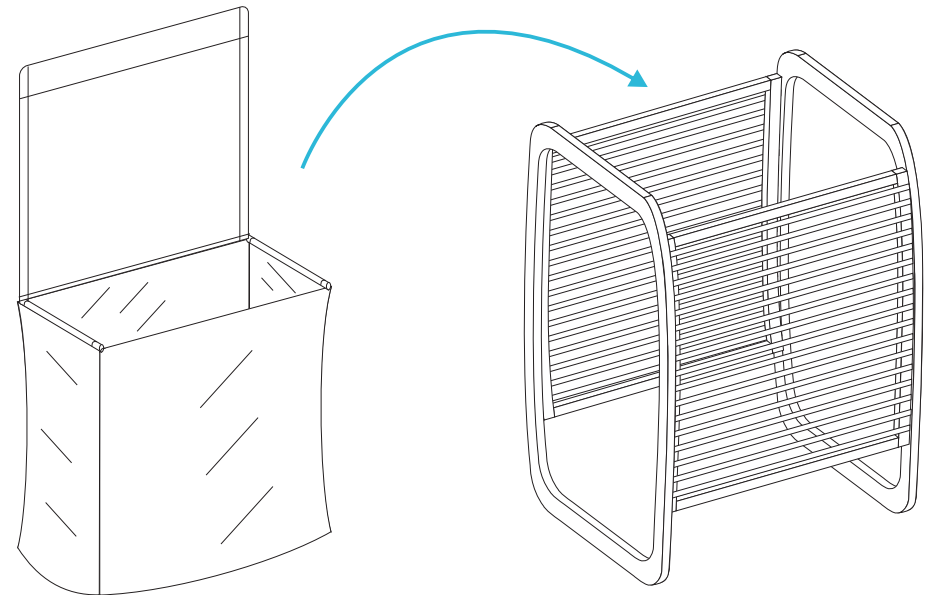
mocka

3



Insert 2x rod [C] into basket [D].

4



Place basket [D] inside unit.  
Once assembled lift furniture into place, do not drag. You're done, enjoy!