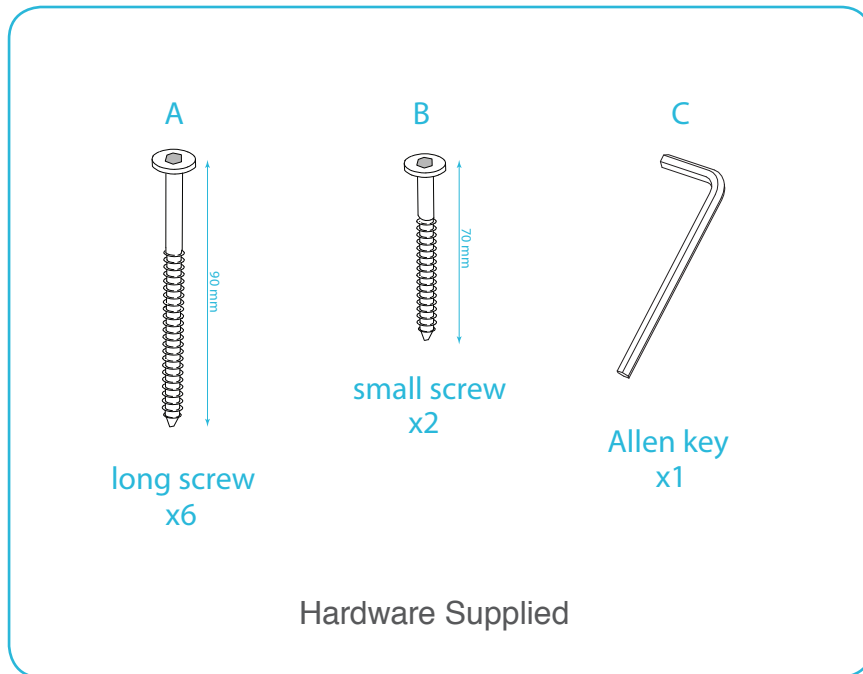


# Britta Armchair

## Assembly Instructions

Thank you for your purchase.  
Please follow the instructions below for correct assembly.

# mocka

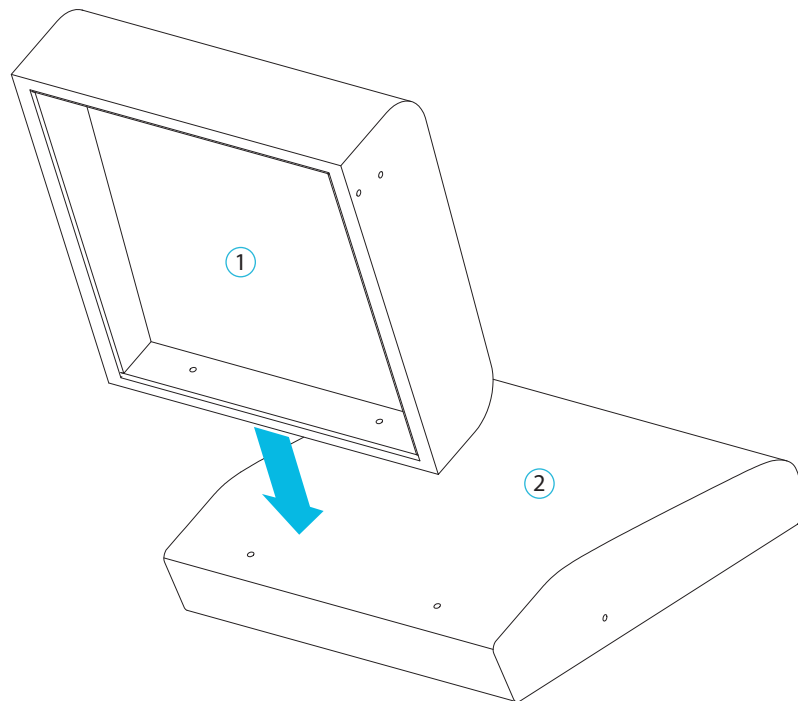


# Britta Armchair

## Assembly Instructions

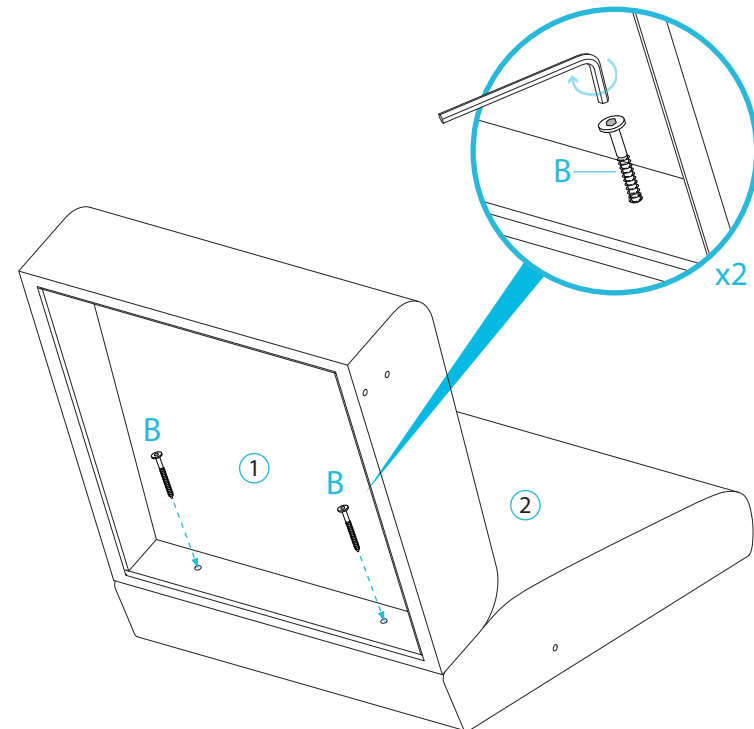
mocka

1



To begin assembly t the seat [1] and back [2] cushions together in the position as shown.

2



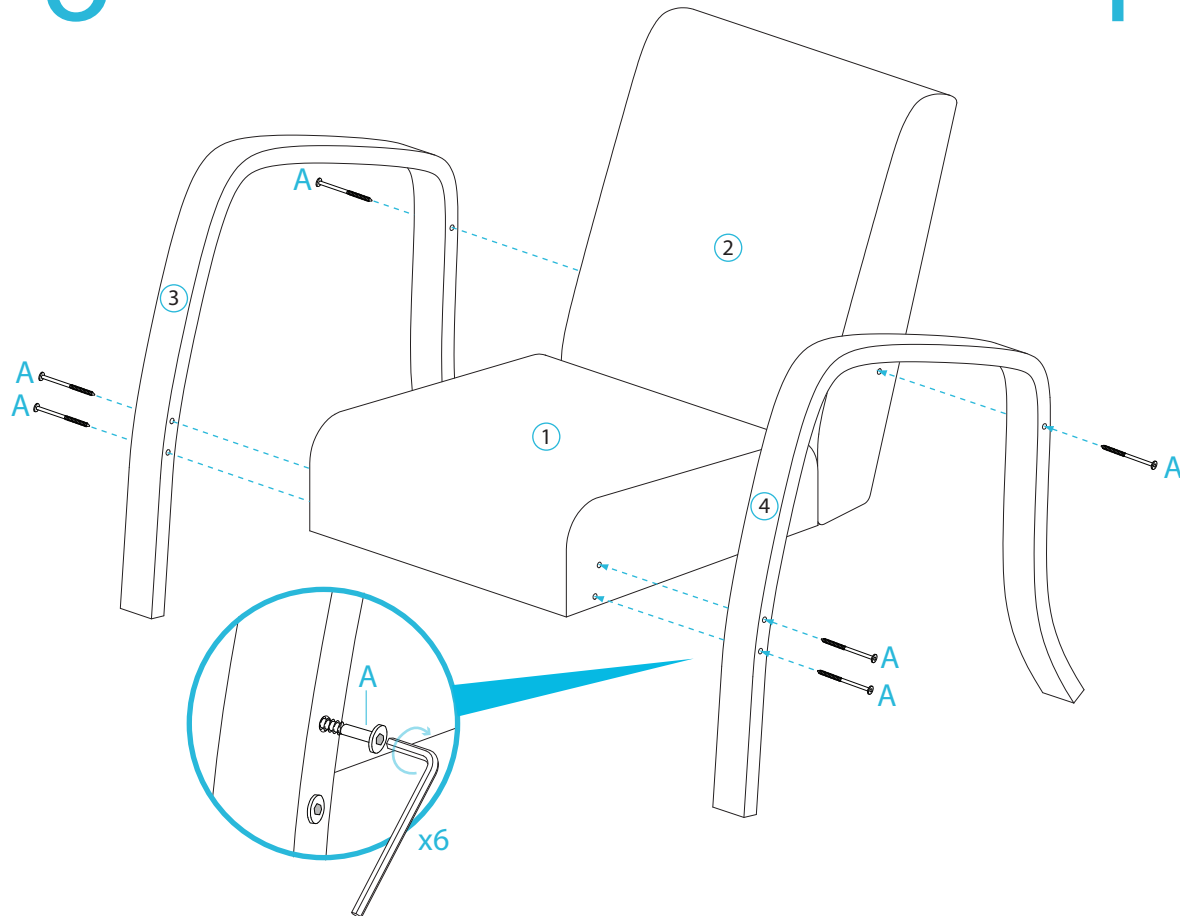
Attach seat pieces together with 2x small screws (B) through underside of piece [1] as shown. Tighten with Allen key (C) provided.

# Britta Armchair

## Assembly Instructions

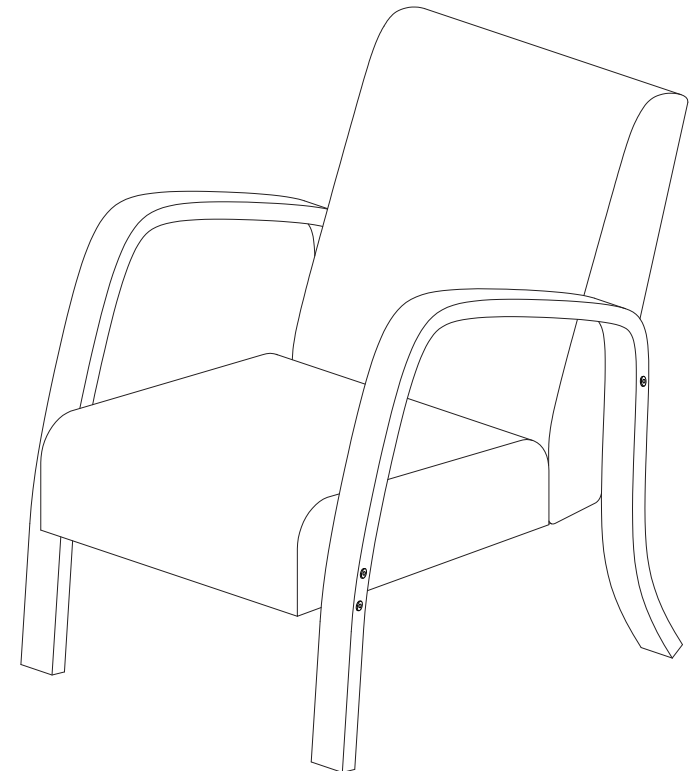
mocka

3



Attach the wooden legs for the Britta chair with 3x long screws (A) in each leg. Securely tighten all screws with Allen key (C) provided.

4



All done! Ensure all screws are secure before and during use. Enjoy!