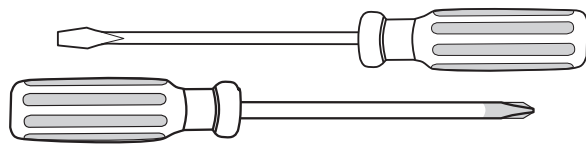
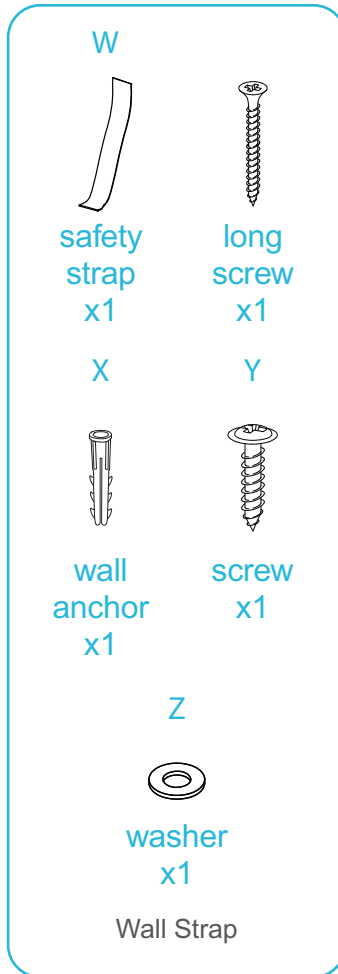
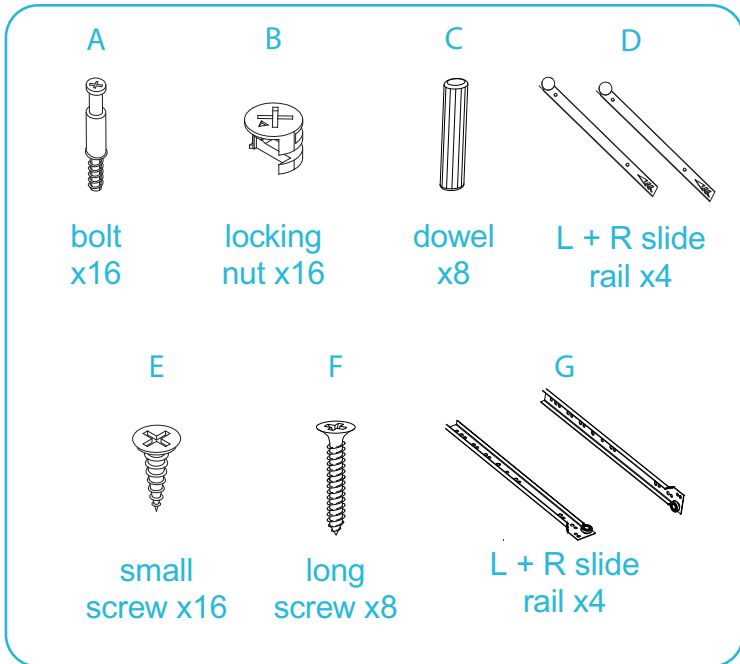


# Harlin Kids Bedside Table

## Assembly Instructions

# mocka

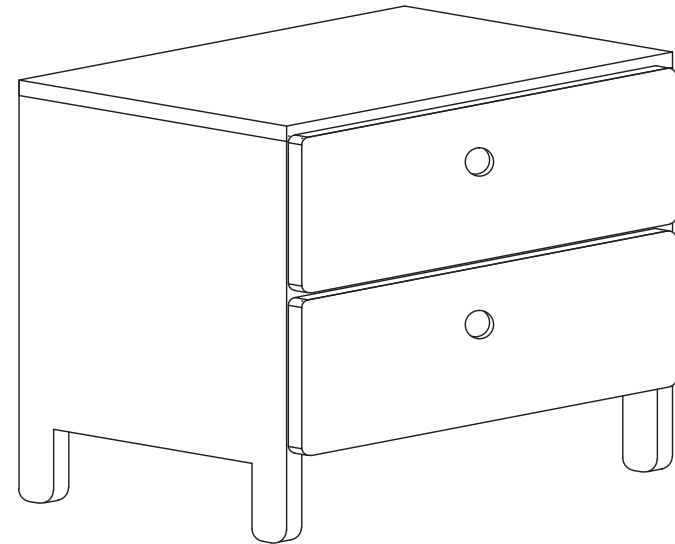
Thank you for your purchase.  
Please follow the instructions below for correct assembly.



Phillips & Flathead screwdrivers

For quicker assembly, we recommend the use of a power drill on a low-speed setting.

**WARNING:** Any furniture that is not anchored to a wall has the potential to tip over in certain circumstances, i.e. if a child attempts to climb up on the furniture or in the event of an earthquake. Accordingly, we recommend that all furniture sold and we recommend these are used to prevent your product tipping. The fixing device provided should fit most wall types, but please note that different wall materials may require different fixing devices from those supplied.

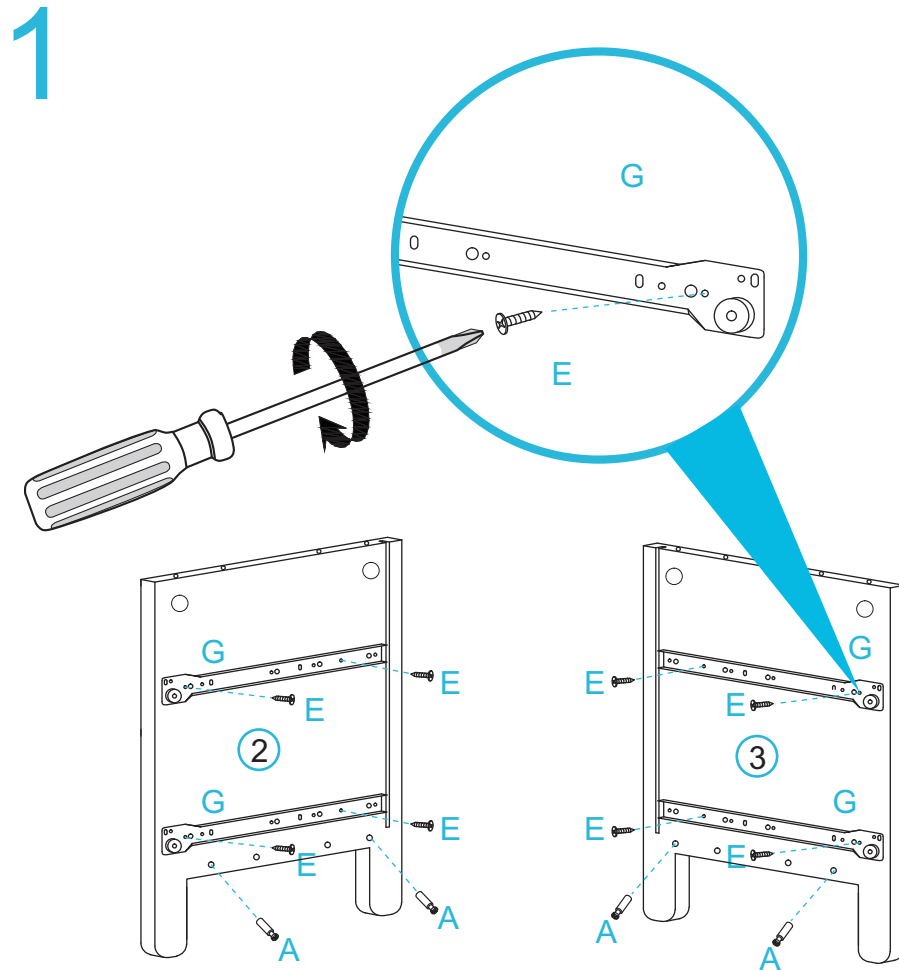


\*We recommend using a Flathead screwdriver to tighten all locking nuts 100% before first use. Please clear any loose wood from the locking nut holes before inserting the nut to ensure it locks 100%.

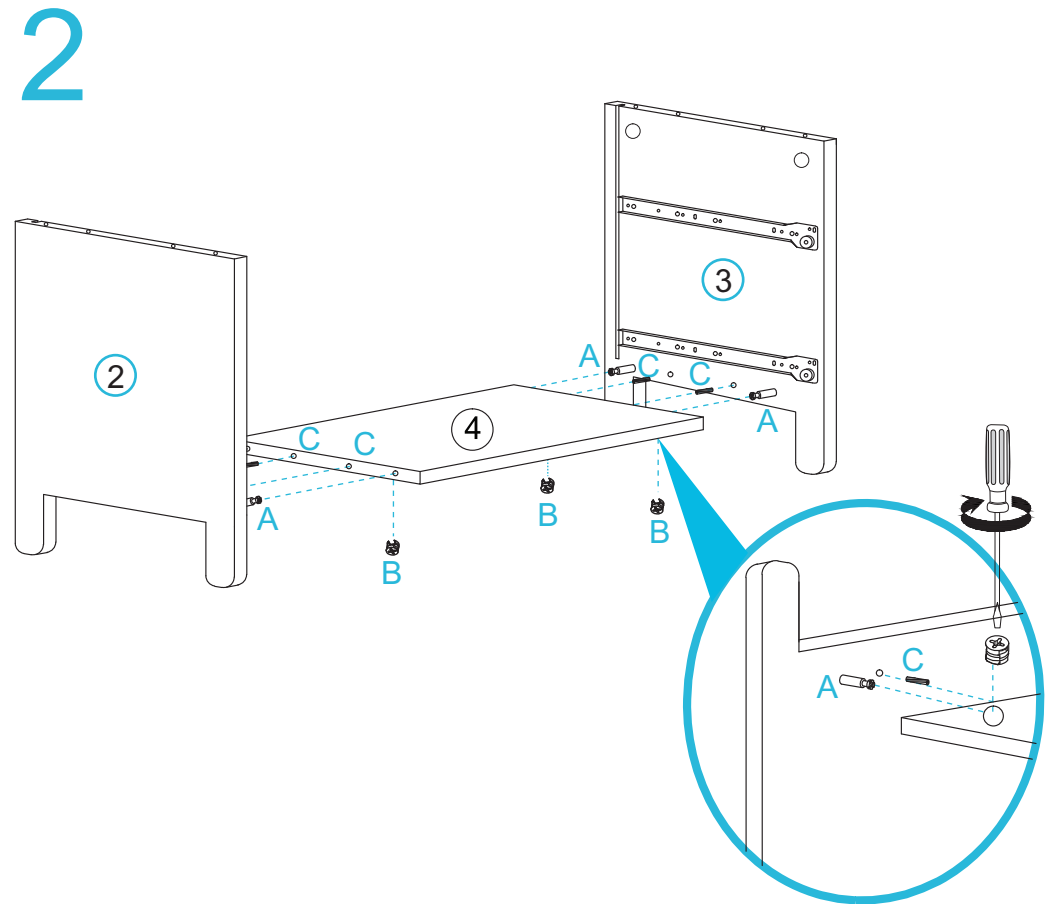
# Harlin Kids Bedside Table

## Assembly Instructions

mocka



Insert 2 x bolt (A) into panels [2] and [3]. Attach 2 x L slide rails (G) to panel [2] and secure with 4 x small screw (E). Attach 2 x R slide rails (G) to panel [3] and secure with 4 x small screw (E). Tighten with a screwdriver.



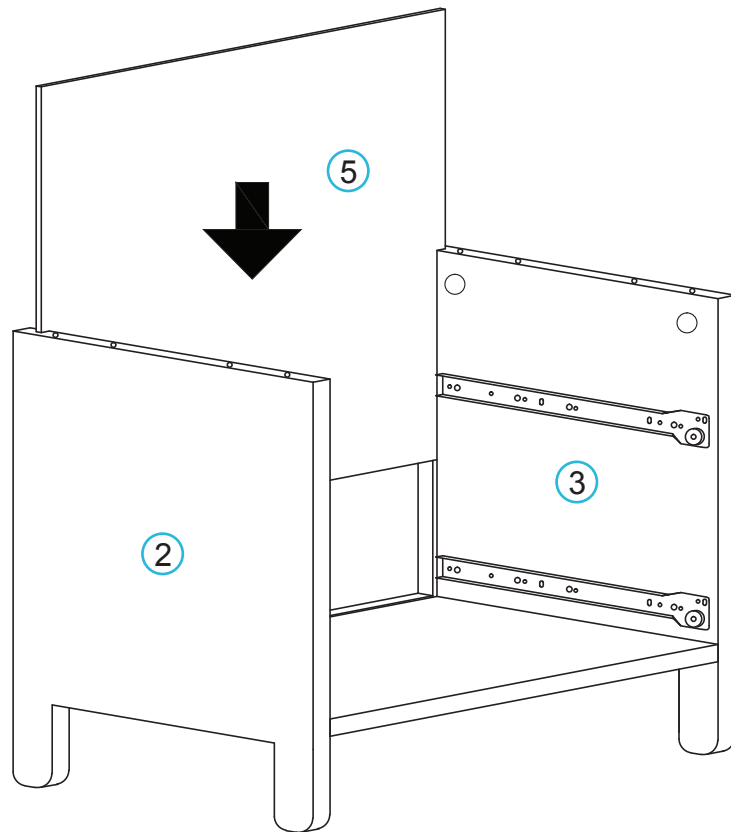
Insert 4x dowel (C) into panels [2] and [3]. Attach panels [2], [3] and [4] and secure with 4x locking nuts (B). Tighten with a screwdriver.

# Harlin Kids Bedside Table

## Assembly Instructions

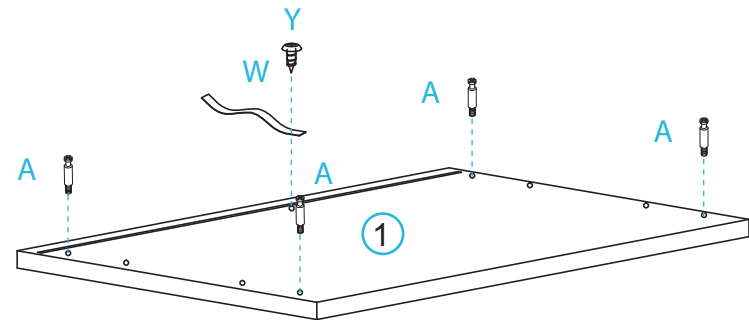
mocka

3



Slide panel [5] between the grooves on panels [2] and [3] to form the back of the unit as shown.

4



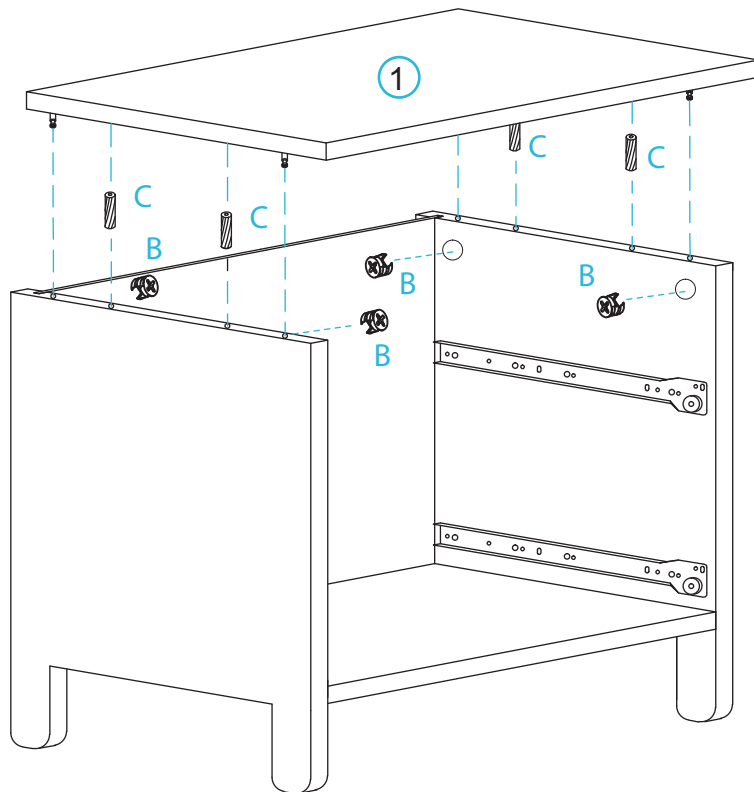
Insert 4x bolt (A) into panel [1]. Attach 1x safety strap (W) to panel [1] and secure with 1x screw (Y). Tighten with a screwdriver.

# Harlin Kids Bedside Table

## Assembly Instructions

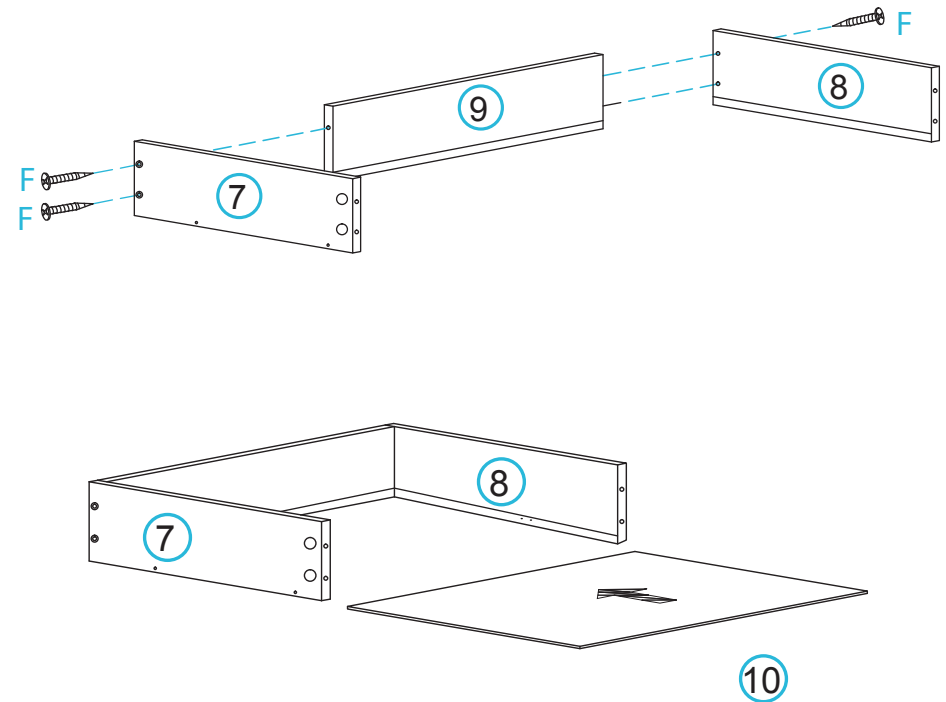
mocka

5



Attach panel [1] to panels [2] and [3] using 4x dowel (C) and secure with 4x locking nuts (B). Tighten with a screwdriver

6 Drawers X2



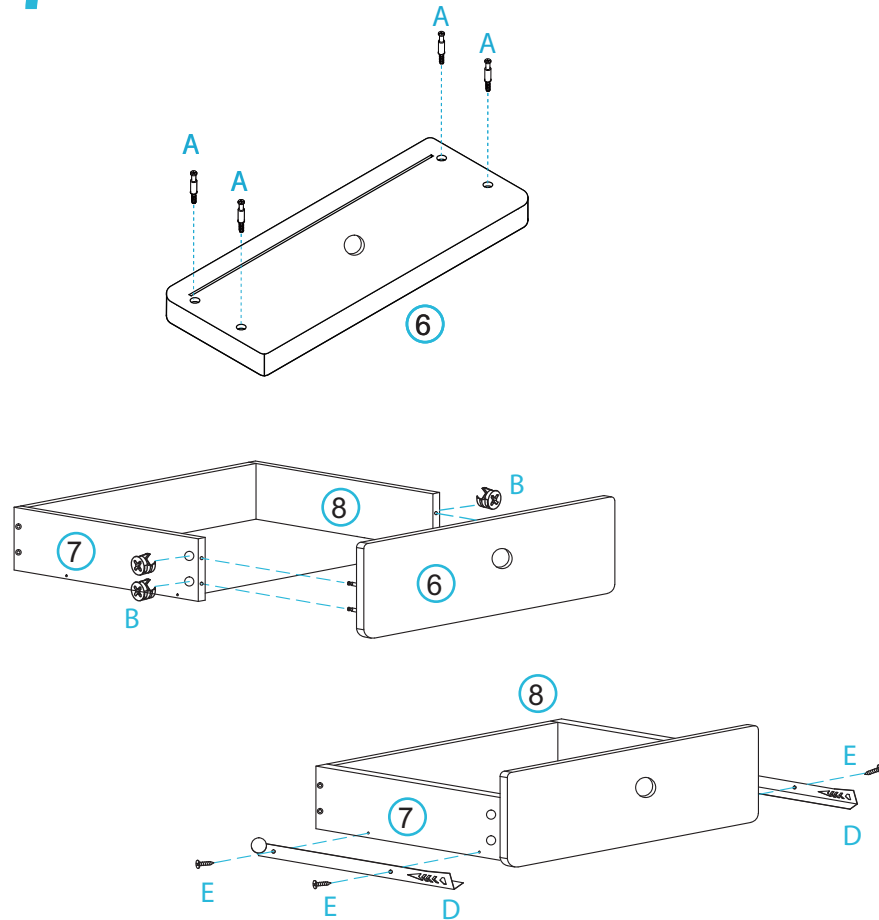
Attach panels [7], [8] and [9] together using 4x long screw (F). Slide panel [10] between the grooves on panels [7] and [8] to form the bottom of the drawer as shown.

# Harlin Kids Bedside Table

## Assembly Instructions

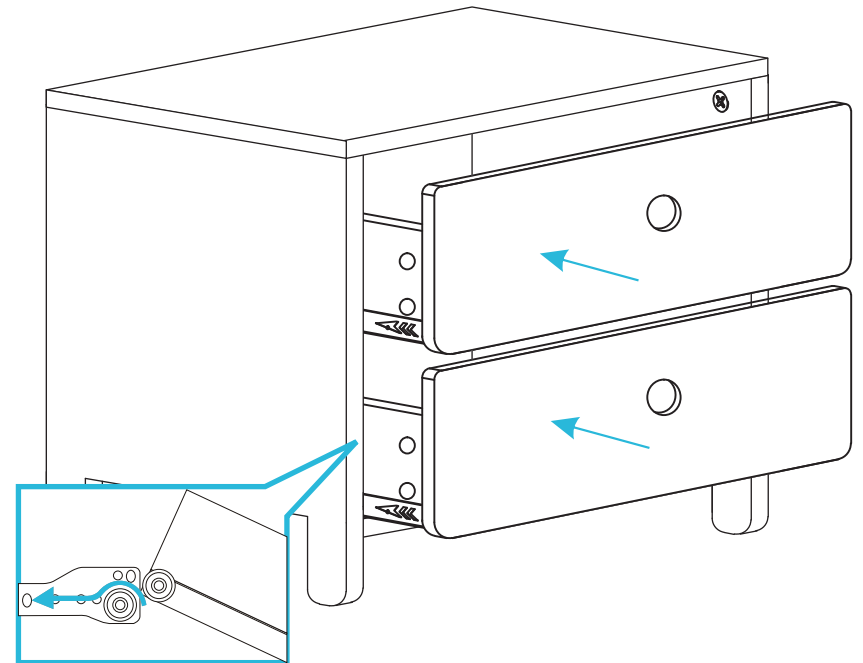
mocka

### 7 Drawers X2



Insert 4x bolts (A) into the back of panel [6]. Attach panel [6] to panel [7] and [8] with 4x locking nuts (B). Attach 2x slide rails (D) to panels [7] and [8]. Secure with 4x small screw (E). Tighten with a screwdriver.

### 8



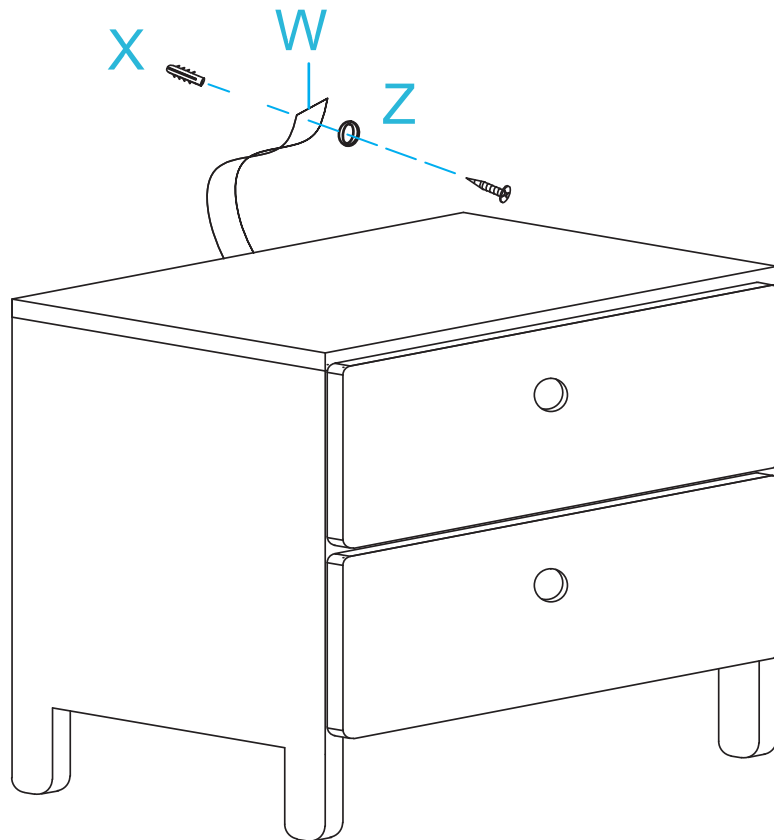
Insert each drawer into the unit as shown, ensuring they slide smoothly and easily along the rails. Once assembled, lift furniture into place, do not drag.

# Harlin Kids Bedside Table

## Assembly Instructions

mocka

### 9 Safety Straps



Move the unit into the desired location up against a wall. Use a drill to create a small hole lining up with the top of the safety strap (W). Fasten to the wall using 1x wall anchor (X), 1x washer (Z) and 1x long screw. Ensure the unit is balanced and steady before use. You're done, enjoy!