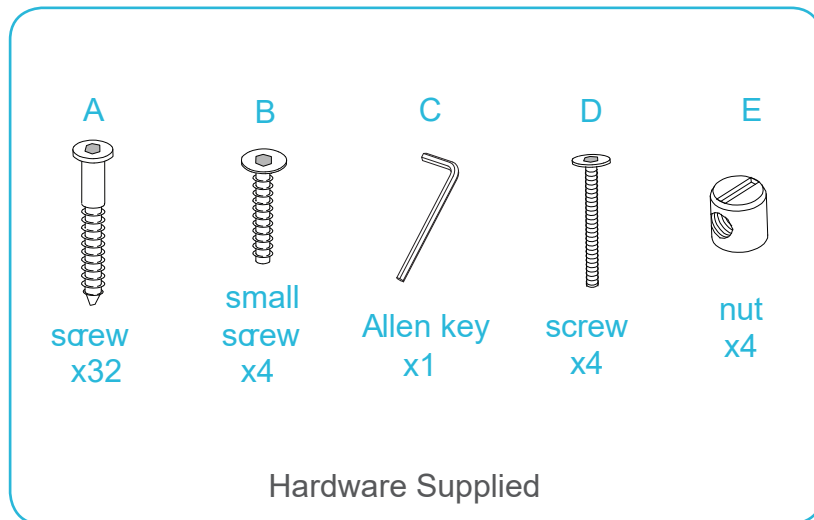


Mocka Trestle Desk

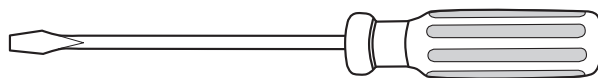
Assembly Instructions

Thank you for your purchase.
Please follow the instructions below for correct assembly.

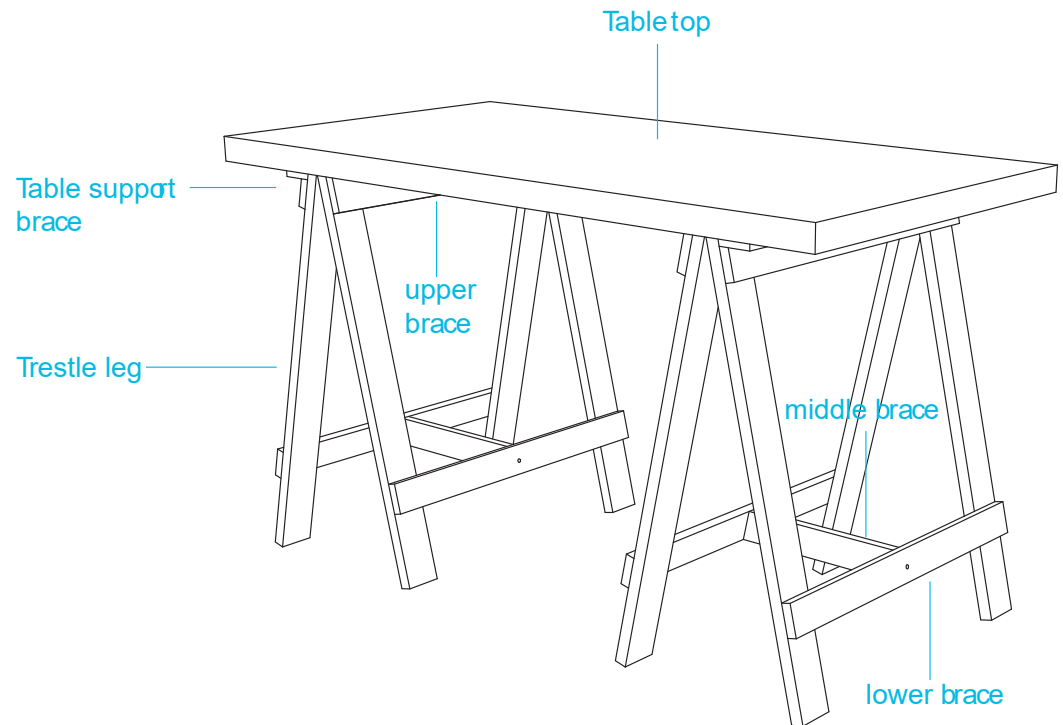
mocka



Please check all components are included before assembly. We recommend the table top is fixed to the trestle legs with the screws provided.



Flathead screwdriver required

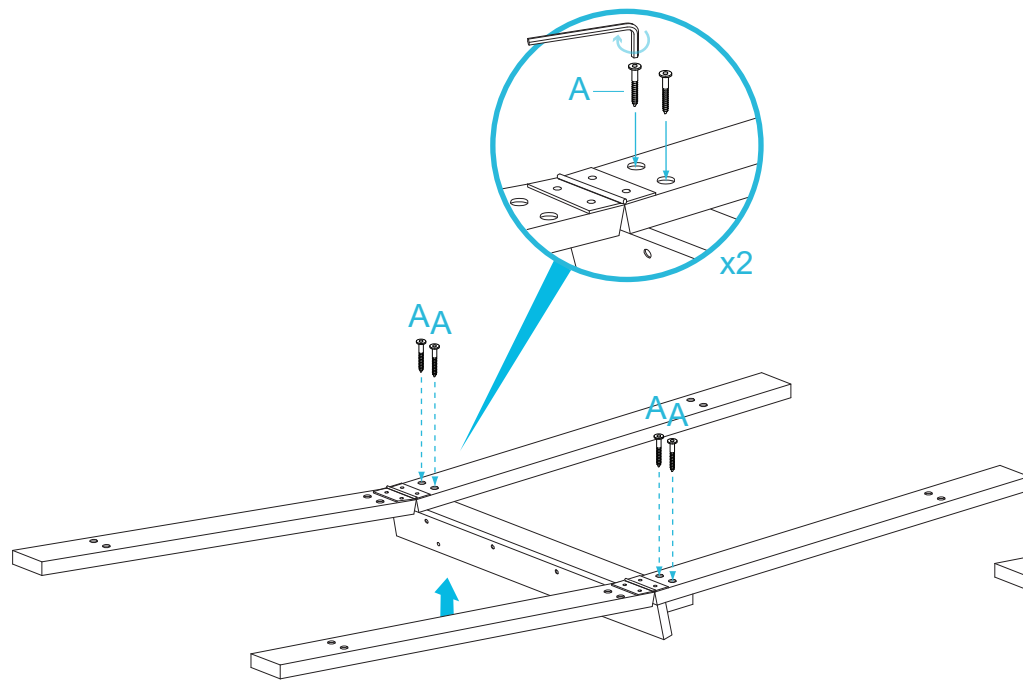


Mocka Trestle Desk

Assembly Instructions

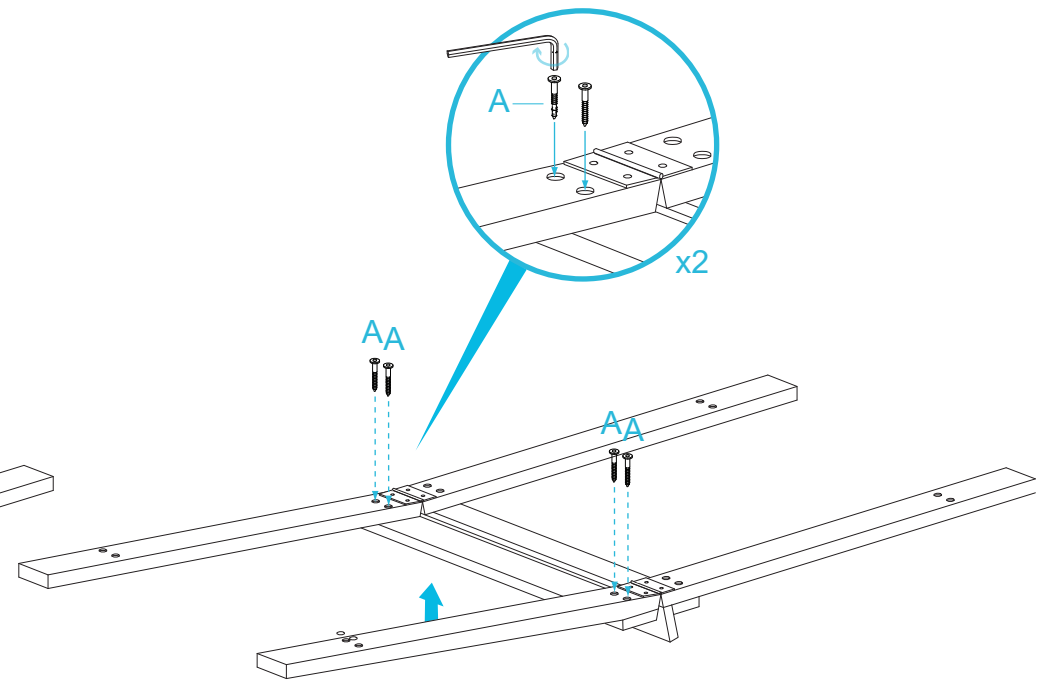
mocka

1



Lay out two hinged trestle legs side by side, with the table support brace underneath as shown. Ensure the holes beside the hinges align and then fasten to the brace using 4x screws (A) and the allen key (C).

2



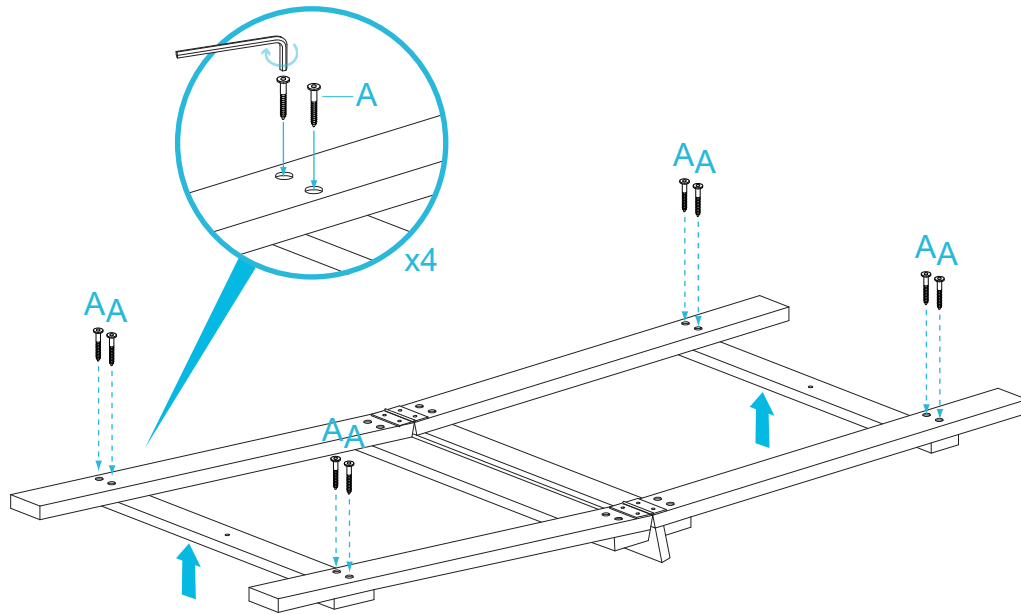
Place one upper brace under the trestle legs as shown. Repeat the process in Step 1 and attach the support using 4x screws (A) and tighten with allen key (C).

Mocka Trestle Desk

Assembly Instructions

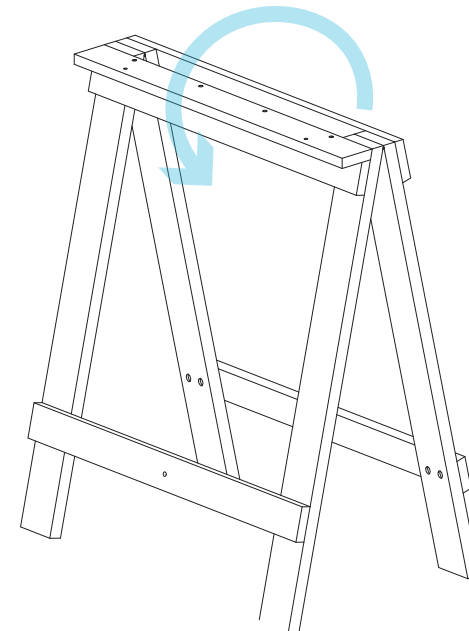
mocka

3



Place two lower leg braces under both the trestle legs at each end as shown. Align the pre-drilled holes in the legs with holes in the braces. Attach both braces in place using 8x screws (A) and allen key (C).

4



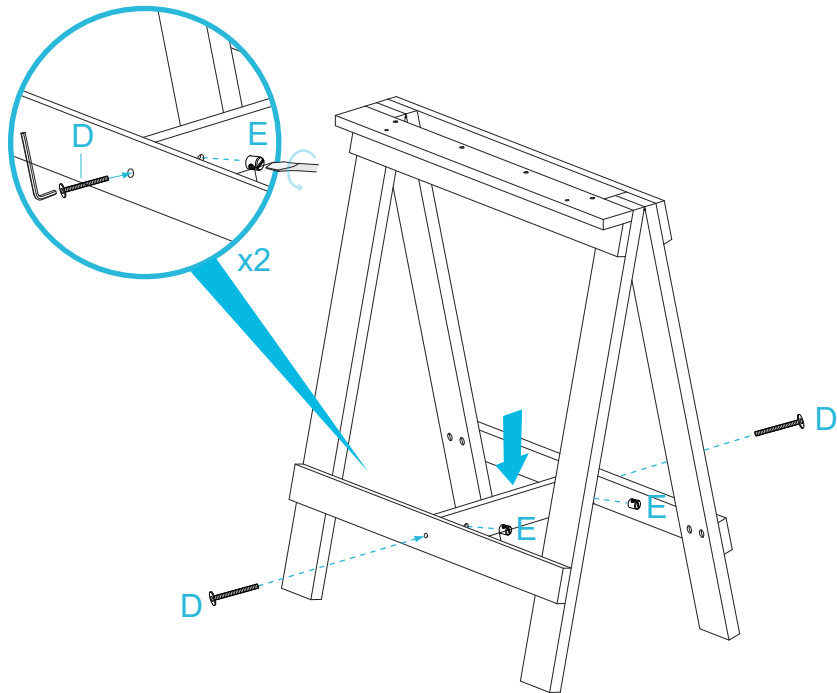
Fold and lift the whole trestle stand upright as shown above. Ensure that it stands safely and all screws are tight.

Mocka Trestle Desk

Assembly Instructions

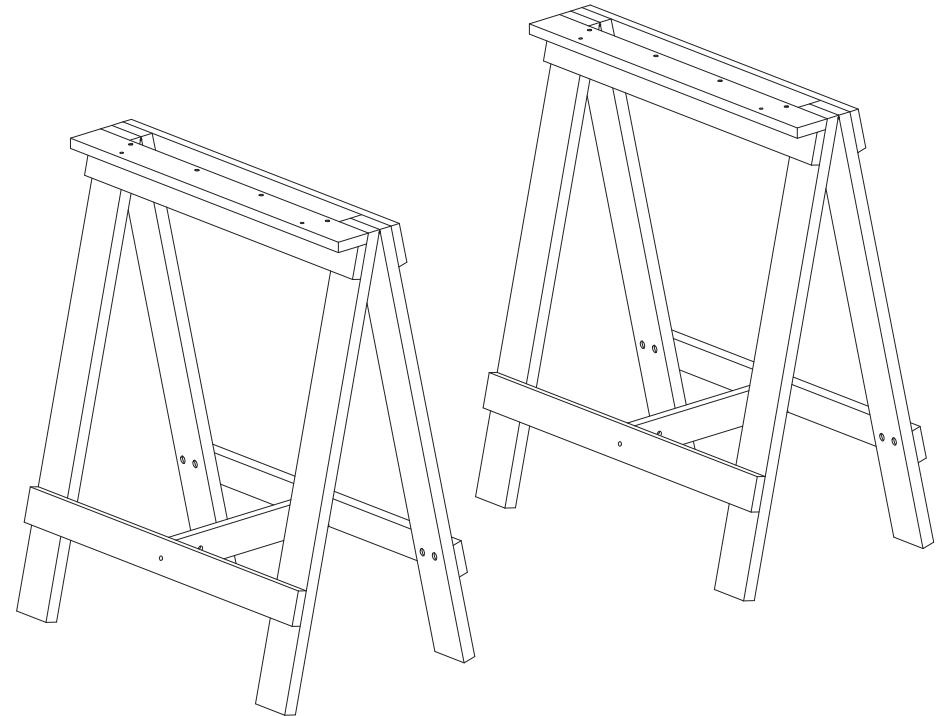
mocka

5



Place a leg brace between the two lower braces as shown, aligning with the pre-drilled centre holes. Attach in place using 2x screws (D) and 4x nuts (E). Tighten the screws with the allen key (C) and the nuts with the flathead screwdriver.

6



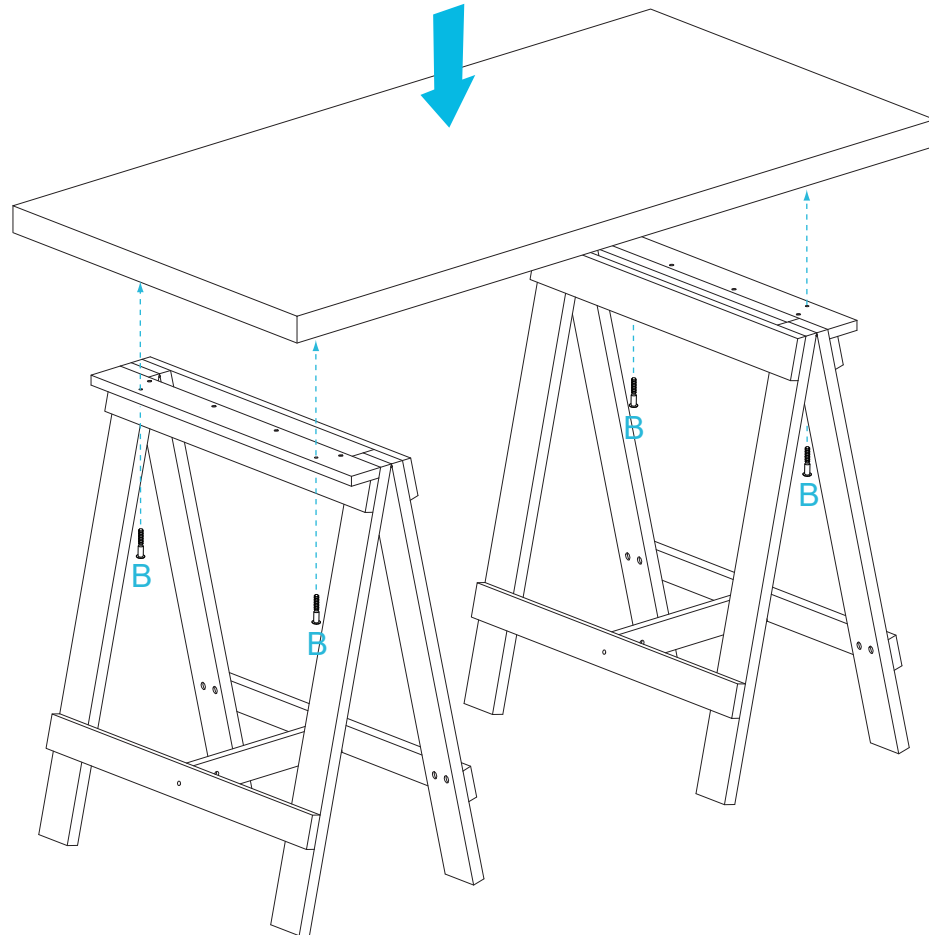
Repeat Steps 1 to 5 to assemble the second trestle stand. Securely tighten all screws and bolts before proceeding to the next step.

Mocka Trestle Desk

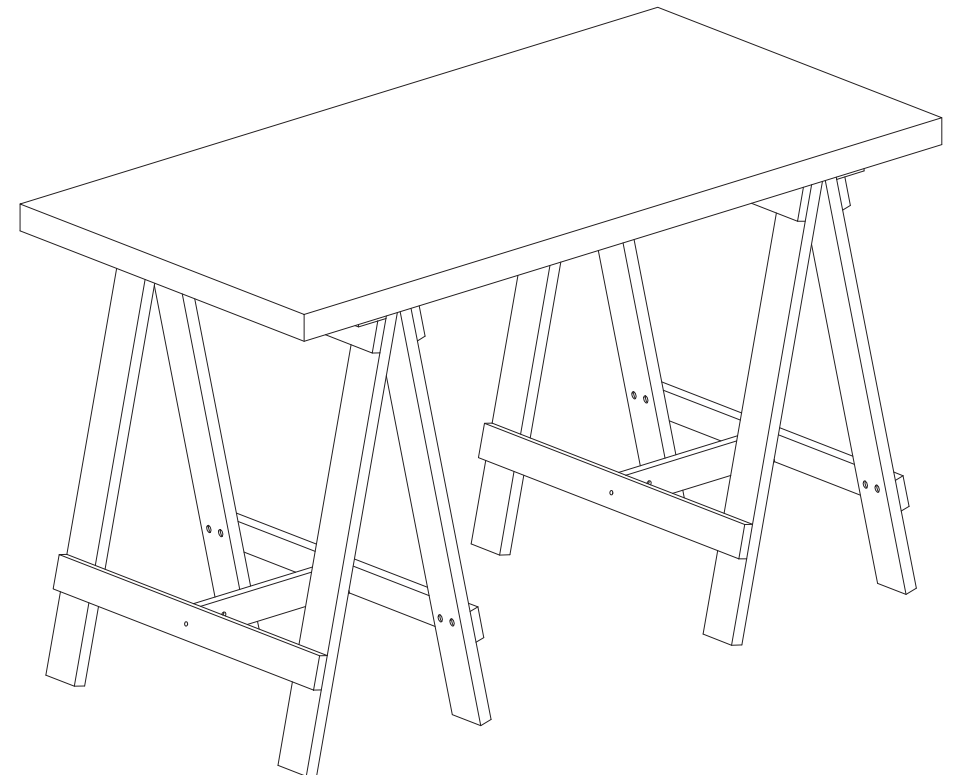
Assembly Instructions

mocka

7



8



Carefully lower the table top into position above the two trestle stands. Shift legs so their holes align with the screw holes in the underside of the table top. Fasten table top to supports from below using 4x small screws (B). Tighten the screws with the allen key (C)

Regularly check all screws are suitably tightened. You're done, enjoy!