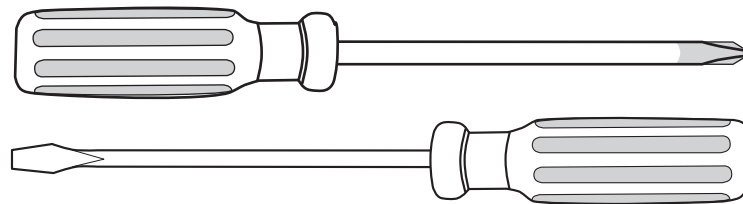
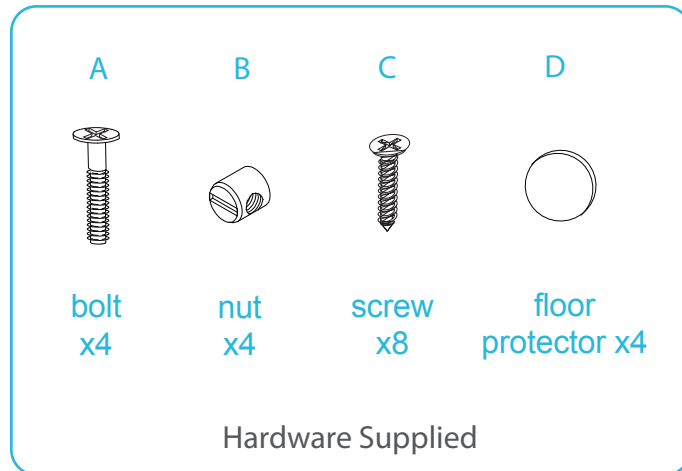


Cibo Dining Table

Assembly Instructions

mocka

Thank you for your purchase.
Please follow the instructions below for correct assembly.



Phillips & Flathead screwdrivers required

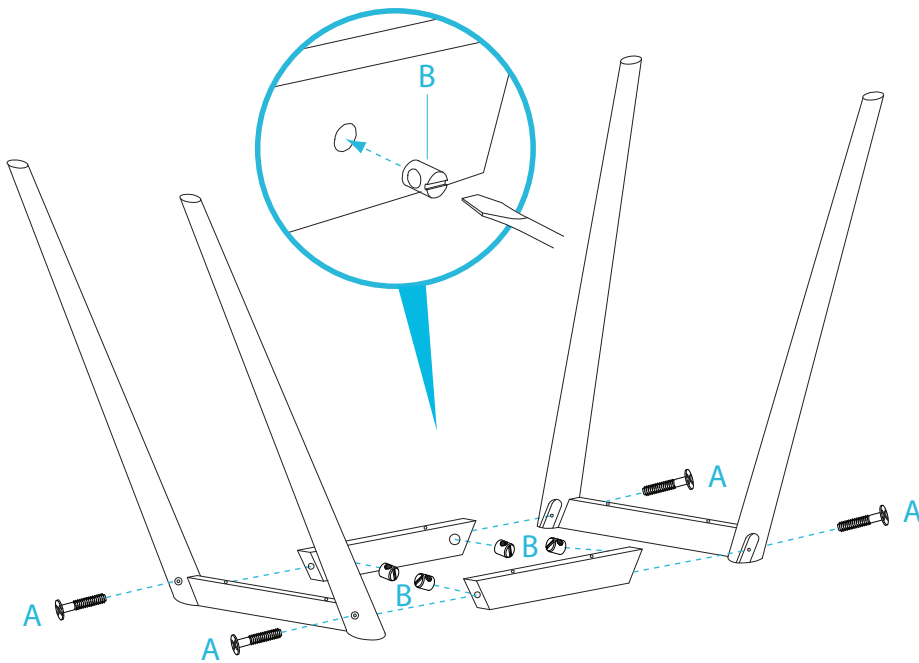
For quicker assembly, we recommend the use of a power drill on a low-speed setting.

Cibo Dining Table

Assembly Instructions

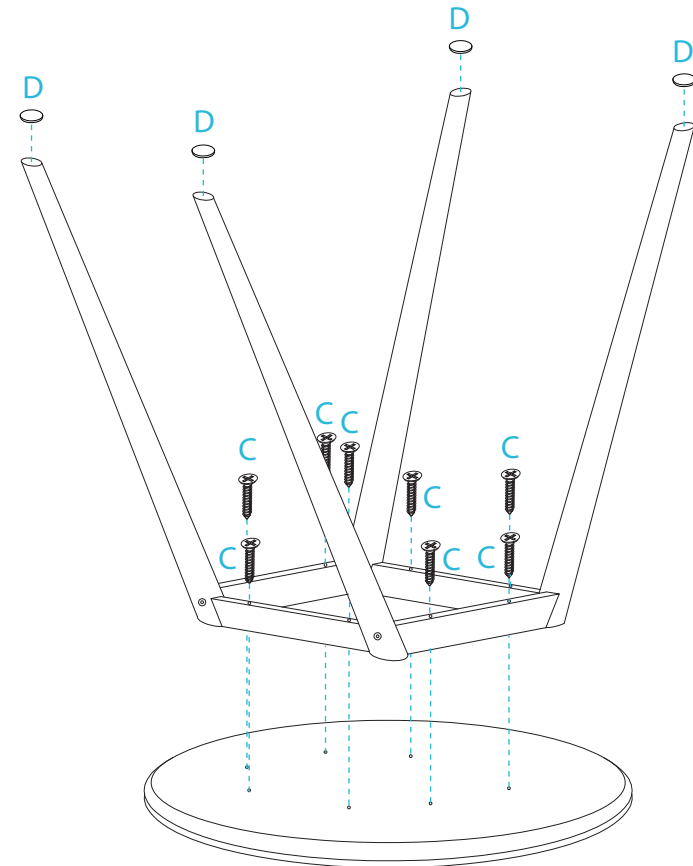
mocka

1



Attach the legs to the side panels using 4x bolts (A) and secure with 4x nuts (B). Tighten with a screwdriver.

2



Attach the legs to the underside of the tabletop and secure with 8x screws (C). Tighten with a screwdriver. Attach 4x floor protectors (D) to the end of the legs. Carefully turn the table over onto its legs ensuring it is level and steady. You're done, enjoy!