















Vibe/Olsen Entertainment Unit






Assembly Instructions

mocka

Thank you for your purchase.
Please follow the instructions below for correct assembly.

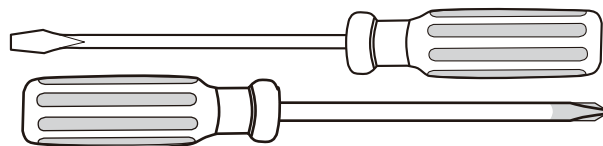
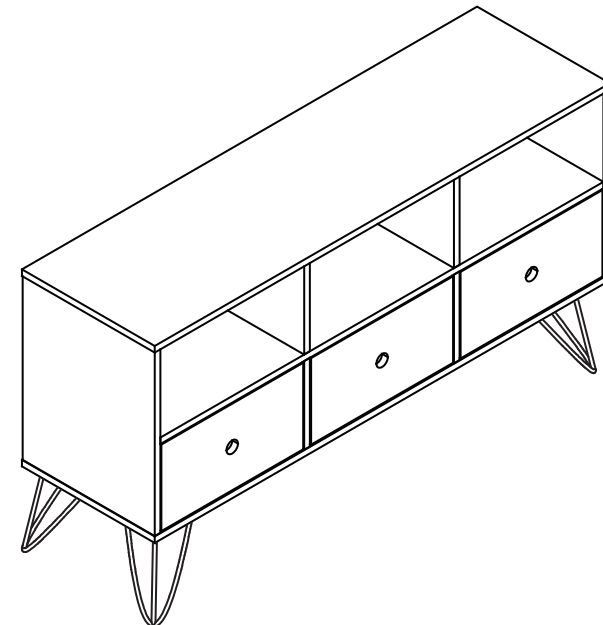
A	B	C	D	E	F	G	H
							
bolt x28	locking nut x28	dowel x24	long screw x24	screw x12	small screw x30	wedge x4	screw x4
I	J	K	L	M	N		
							
CL runner tracks x3	CR runner tracks x3	DL runners x3	DR runners x3	allen key x1	cover x8		

Hardware Supplied

V	W
	
safety strap x1	screw x1
X	Y
	
wall anchor x1	wall screw x1
Z	
	
washer x2	

Wall Strap

WARNING: Any furniture that is not anchored to a wall has the potential to tip over in certain circumstances, i.e. if a child attempts to climb up on the furniture or in the event of an earthquake. Accordingly, we recommend that all furniture is anchored to a wall. We supply a free safety wall anchor with all furniture sold and we recommend these are used to prevent your product tipping. The fixing device provided should fit most wall types, but please note that different wall materials may require different fixing devices from those supplied.



Phillips & Flathead screwdrivers required
For quicker assembly, we recommend the
use of a power drill on a low-speed setting.

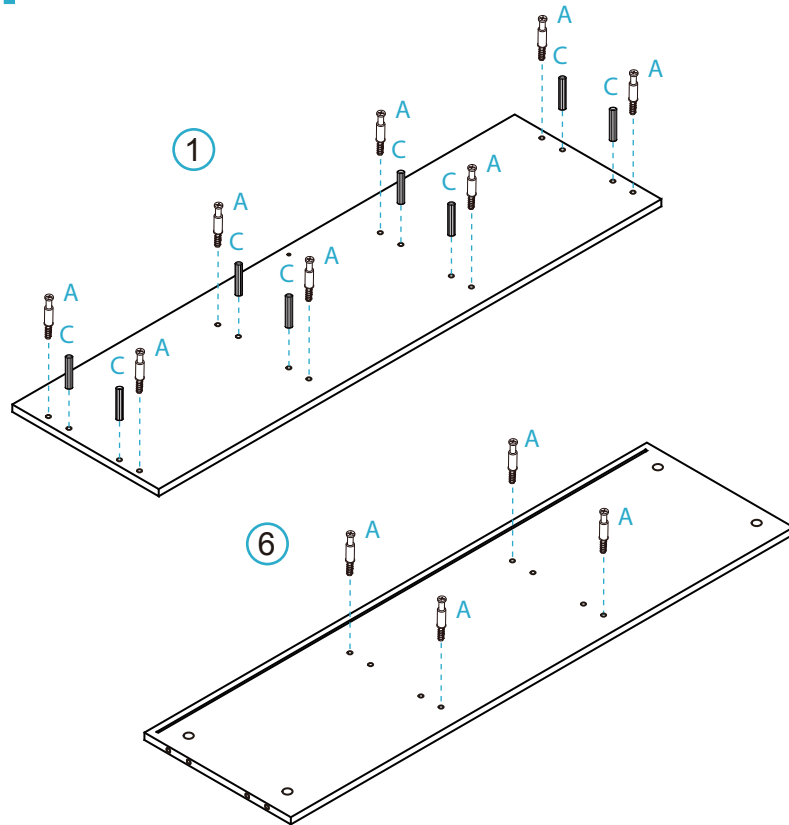
*We recommend using a Flathead screwdriver to tighten all locking nuts 100% before first use.
Please clear any loose wood from the locking nut holes before inserting the nut to ensure it locks 100%.

Vibe/Olsen Entertainment Unit

Assembly Instructions

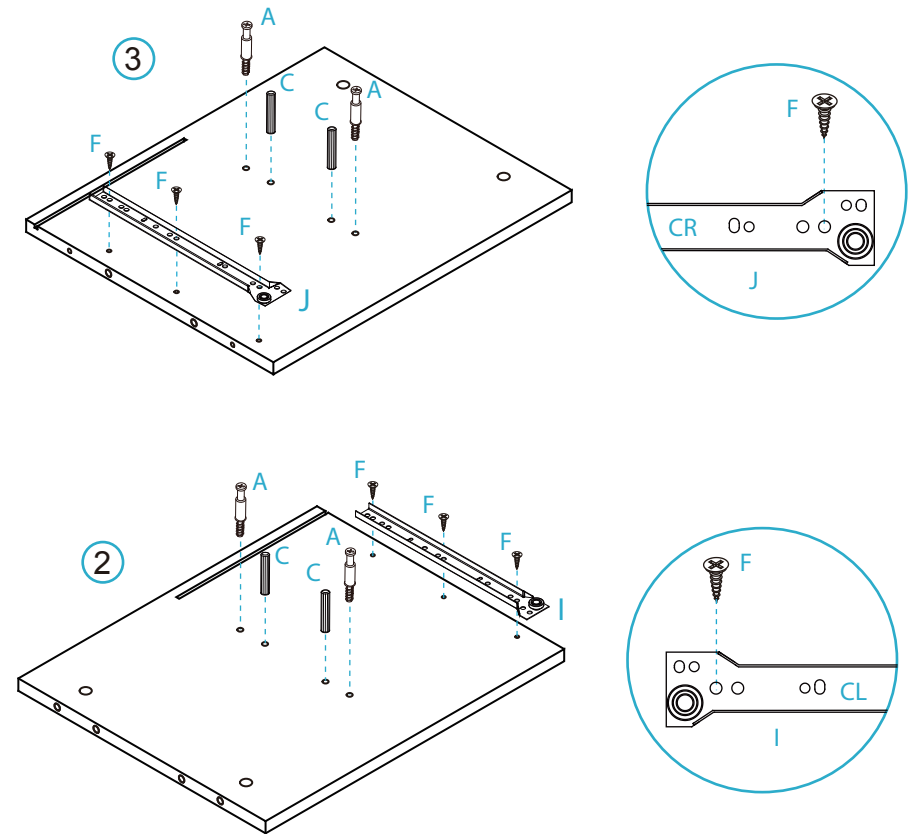
mocka

1



Insert 8x bolts (A) and 8x dowels (C) into panel [1]. Insert 4x bolts (A) into panel [6]. Tighten with a screwdriver.

2



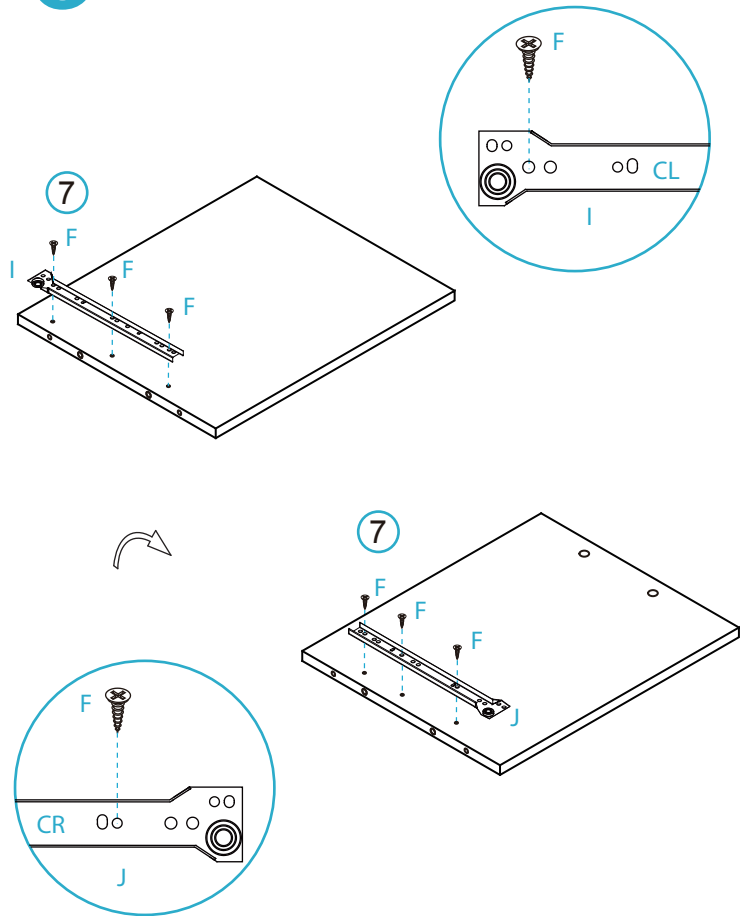
Attach 1x CL runner track (I) to panel [2] and secure with 3x small screws (F). Attach 1x CR runner track (J) to panel [3] and secure with 3x small screws (F). Insert 4x bolts (A) and 4x dowels (C) into panels [2] and [3]. Tighten with a screwdriver.

Vibe/Olsen Entertainment Unit

Assembly Instructions

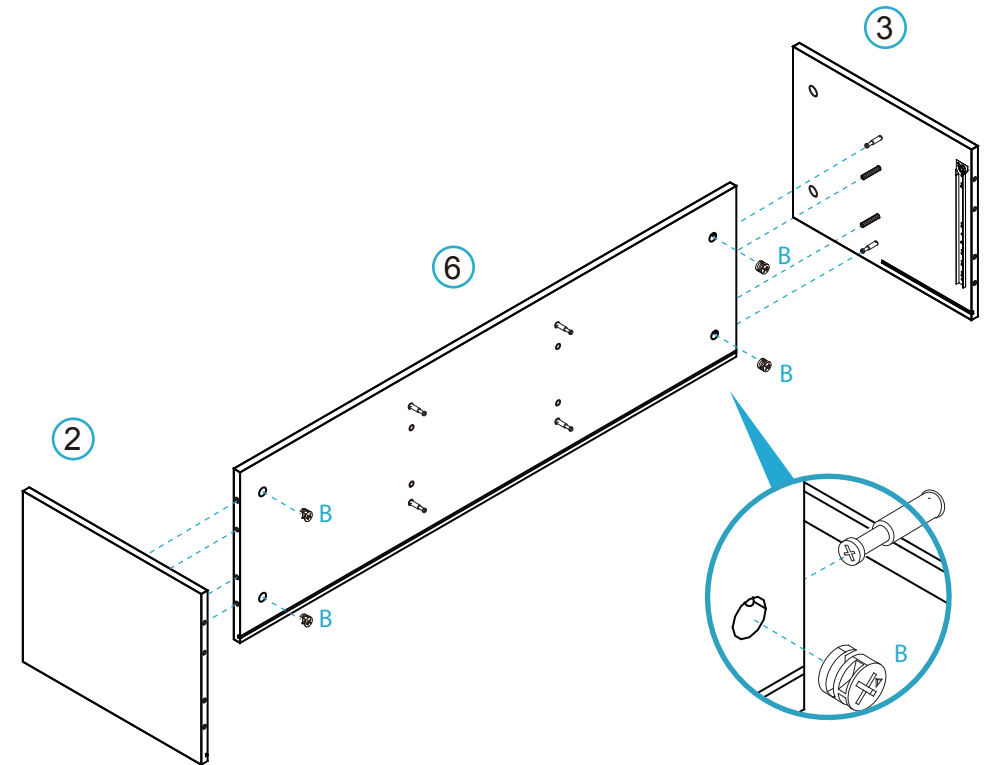
mocka

3 x2



Attach 1x CL runner tracks (I) to each panel [7] and secure with 3x small screws (F). Flip panels [7] over, attach 1x CR runner tracks (J) to each panel [7], and secure with 3x small screws (F). Tighten with a screwdriver.

4



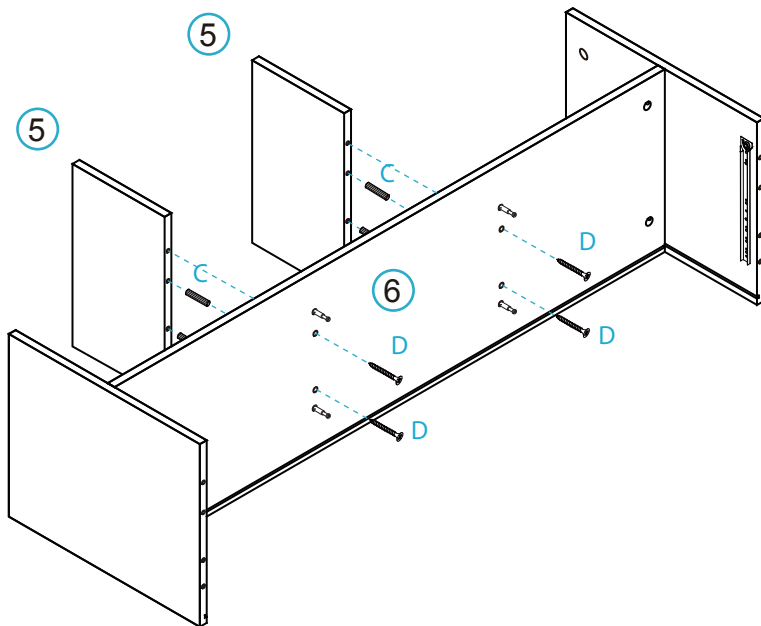
Attach panels [2] and [3] to panel [6] and secure with 4x locking nuts (B) and tighten with a screwdriver.

Vibe/Olsen Entertainment Unit

Assembly Instructions

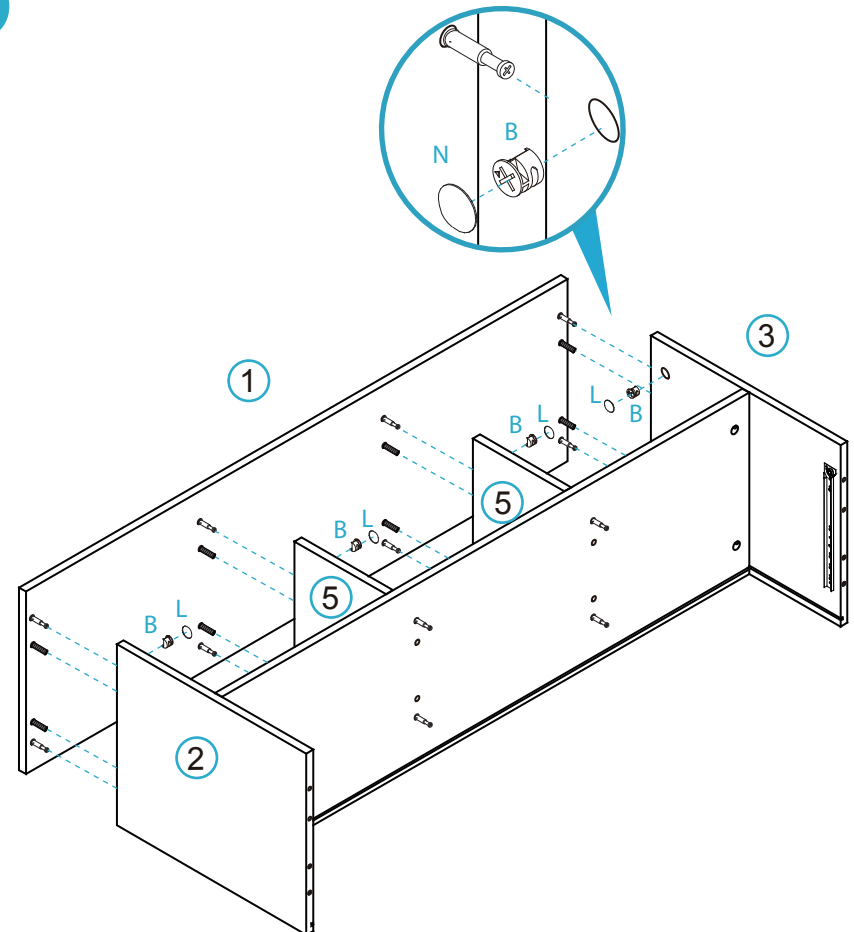
mocka

5



Attach 2x panels [5] to panel [6] with 4x dowels (C) and secure with 4x long screws (D) and tighten with a screwdriver.

6



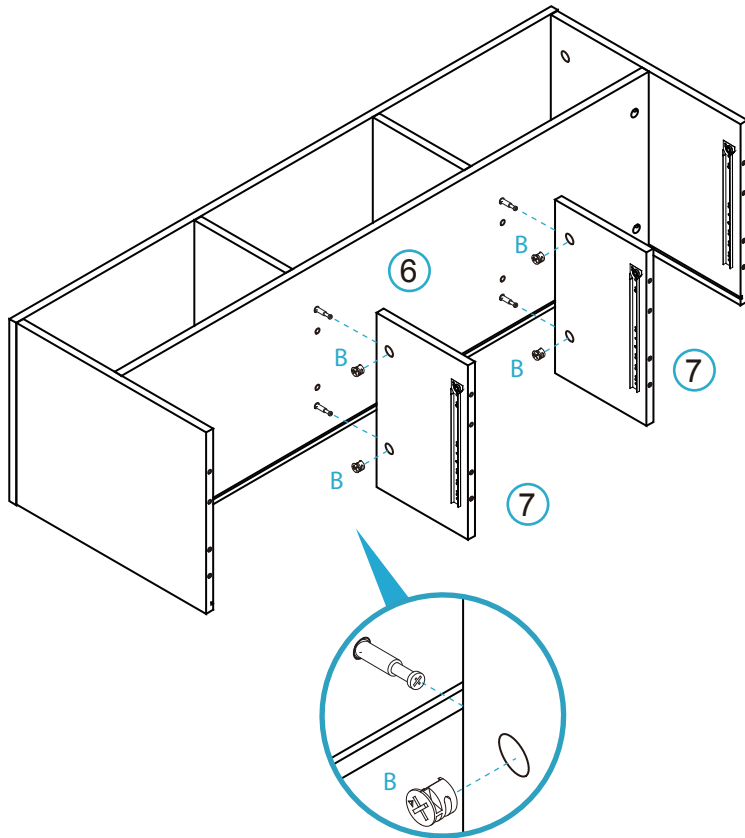
Attach top panel [1] to the rest of the unit and secure with 8x locking nuts (B) and tighten with a screwdriver. Seal the holes with 8x covers (N).

Vibe/Olsen Entertainment Unit

Assembly Instructions

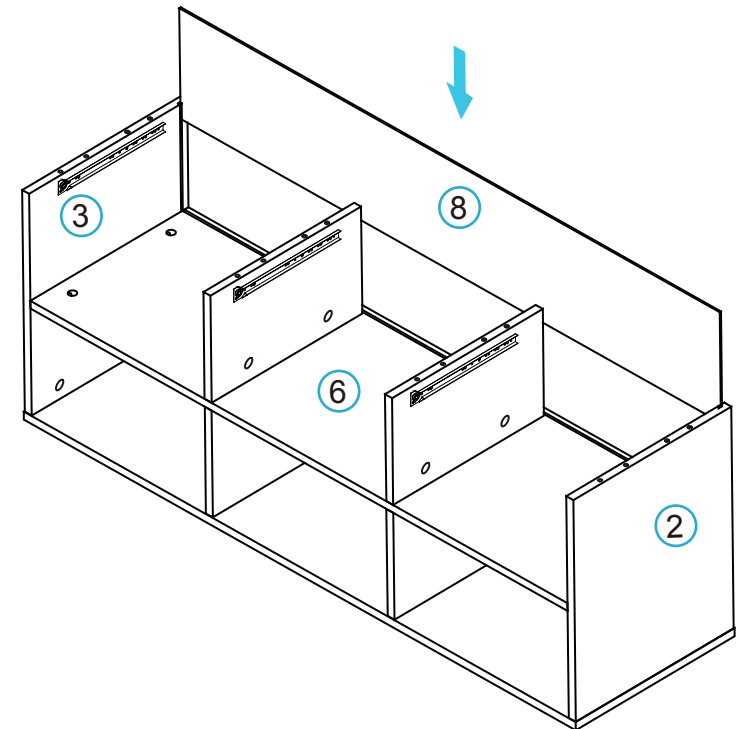
mocka

7



Attach 2x panels [7] to panel [6] and secure with 4x locking nuts (B) and tighten with a screwdriver.

8



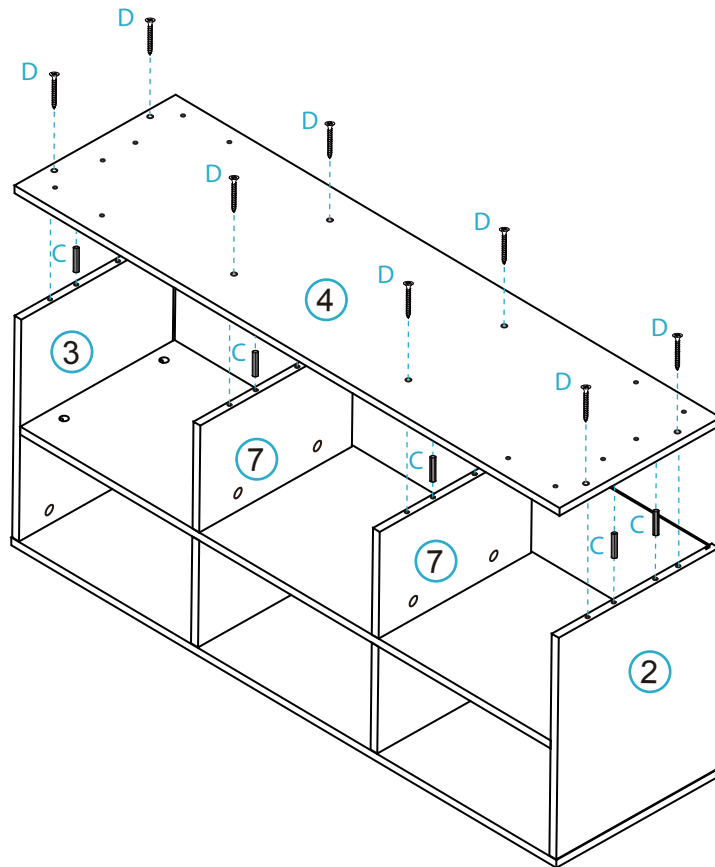
Slide panel [8] between the grooves of panels [2], [3] and [6] to form the back of the unit, as shown.

Vibe/Olsen Entertainment Unit

Assembly Instructions

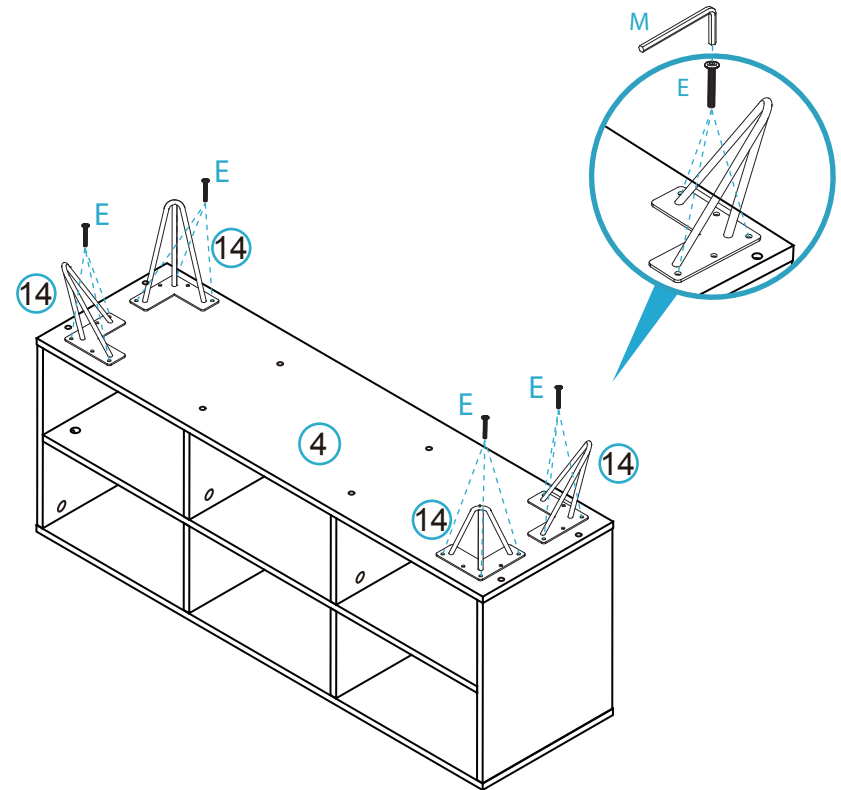
mocka

9



Attach bottom panel [4] to the rest of the unit with 8x dowels (C) and secure with 8x long screws (D) and tighten with a screwdriver.

10



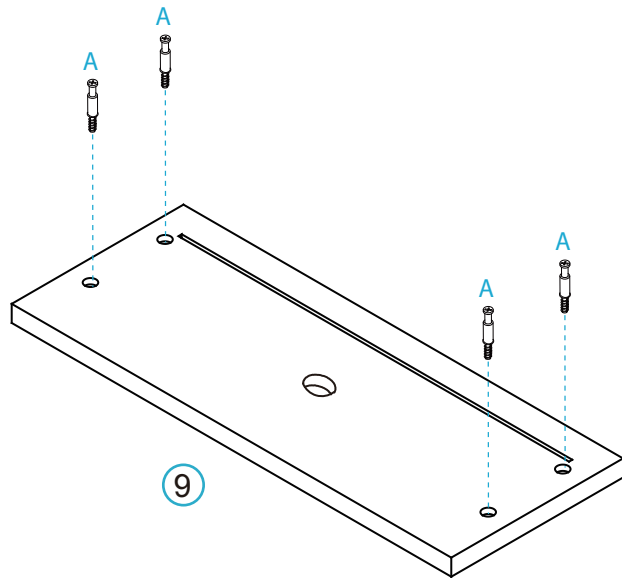
Attach 4x legs [14] to the bottom panel [4] with 12x screws (E), and tighten with an Allen key (M).

Vibe/Olsen Entertainment Unit

Assembly Instructions

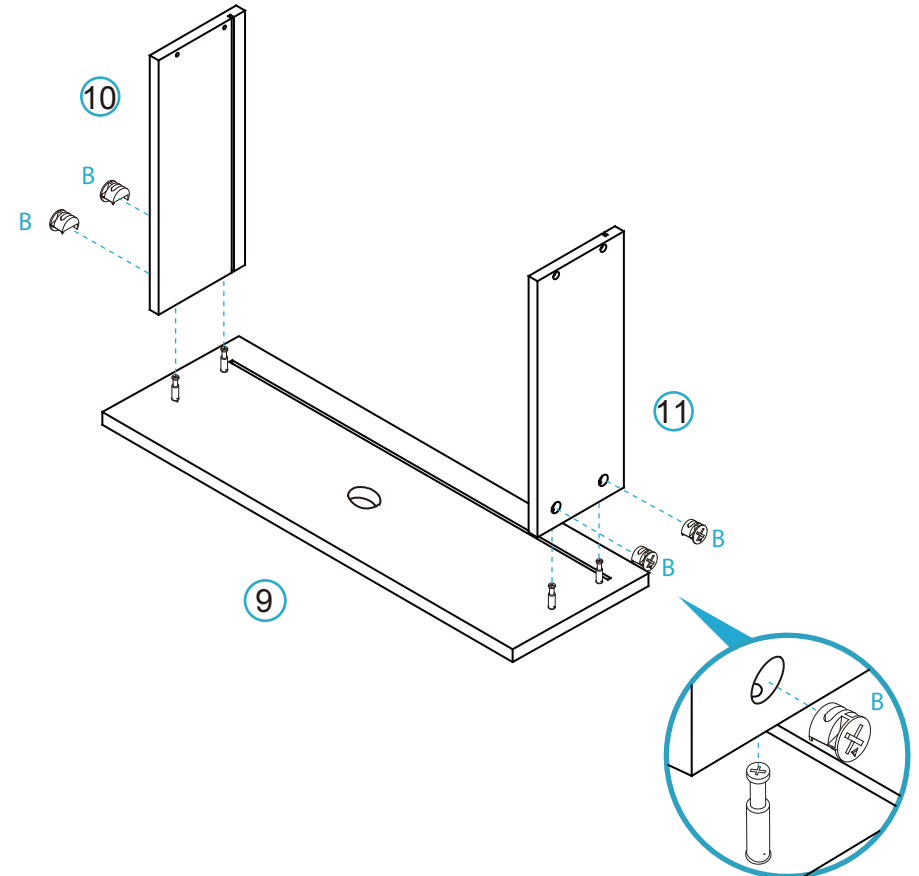
mocka

11 Drawers x3



Insert 4x bolt (A) into panel [9]. Tighten with a screwdriver.

12 Drawers x3



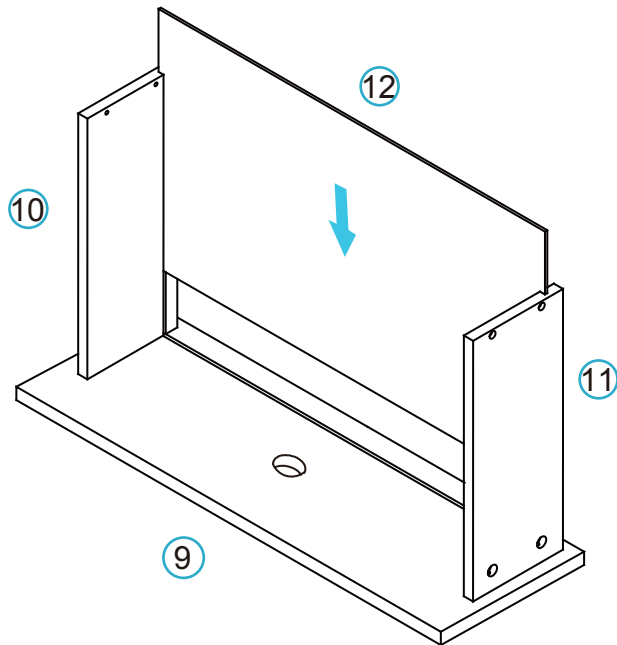
Attach panels [10] and [11] to panel [9] with 4x locking nuts (B). Tighten with a screwdriver.

Vibe/Olsen Entertainment Unit

Assembly Instructions

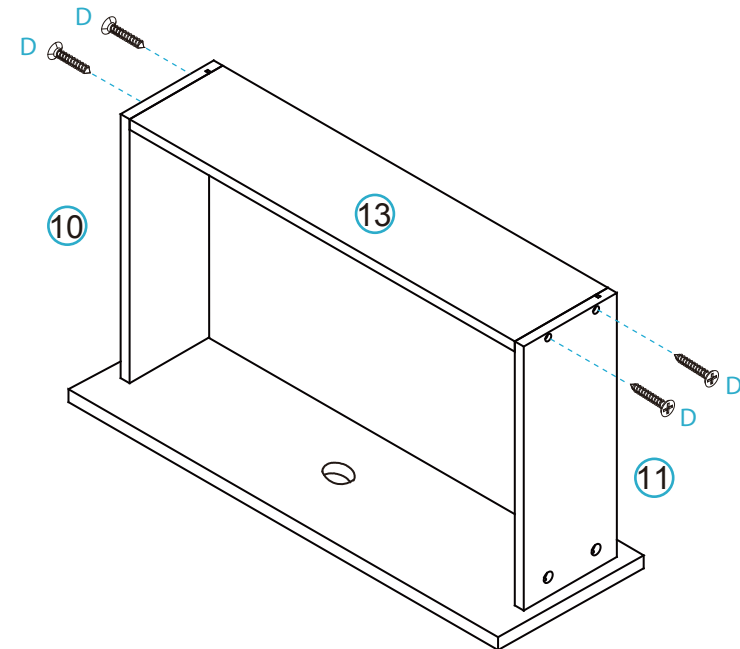
mocka

13 Drawers x3



Slide panel [12] along the grooves between the side panels [10] and [11] to form the base of the drawer.

14 Drawers x3



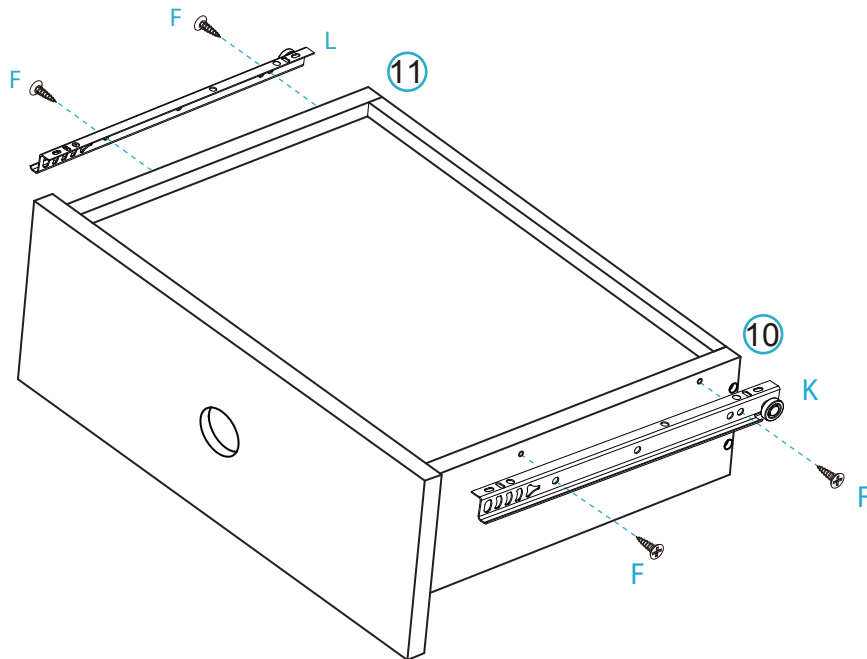
Attach panels [10], [11] and [13] with 4x screws (D). Tighten with a screwdriver.

Vibe/Olsen Entertainment Unit

Assembly Instructions

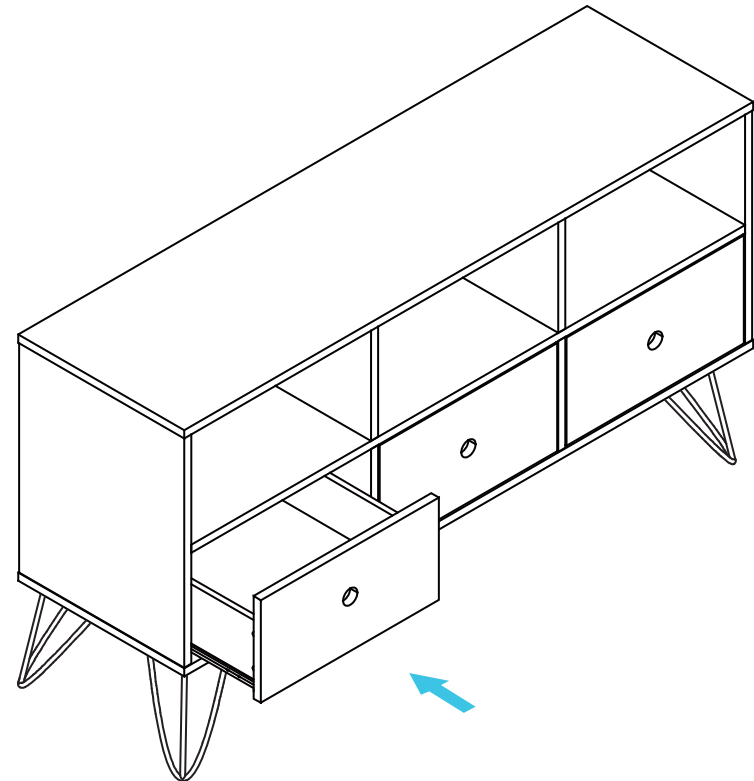
mocka

15 Drawers x3



Attach DL runner (K) to panel [10] and DR runner (L) to panel [11] with 4x small screws (F). Tighten with a screwdriver. Complete the other two drawers.

16



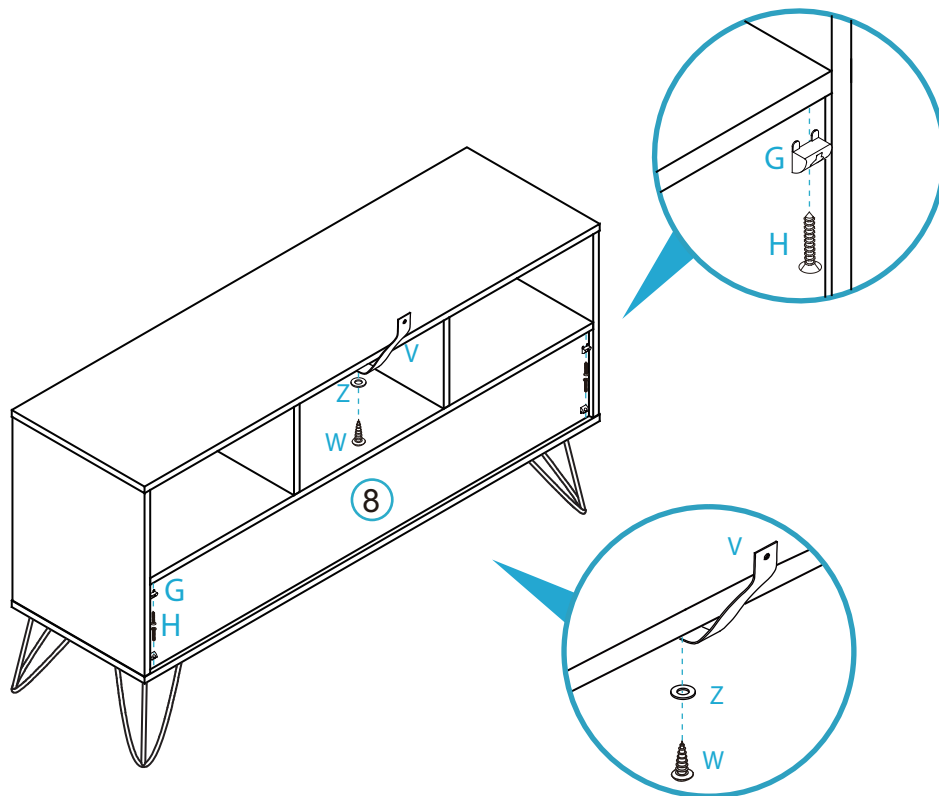
Insert the completed drawer into the main unit as shown, ensuring they slide easily along the rails.

Vibe/Olsen Entertainment Unit

Assembly Instructions

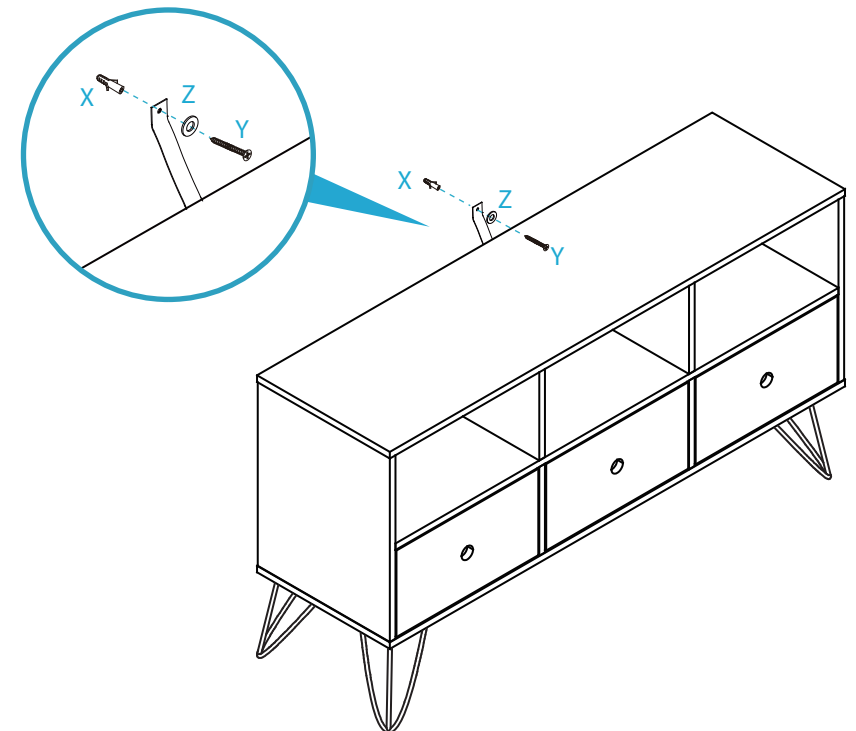
mocka

17



Attach 4x wedges (G) to the corners of the back [8] as shown, and secure with 4x small screws (H). Attach 1x safety strap (V) to the top of the back side of the unit as shown using 1x washer (Z) and 1x screw (W). Tighten with a screwdriver.

18



Once assembled lift furniture into place, do not drag. Use a drill to create a small hole lining up with the top of the safety strap (V). Fasten to the wall using 1x washer (Z), 1x wall plug (X) and 1x screw (Y). Ensure unit is balanced and steady before use. You're done, enjoy!