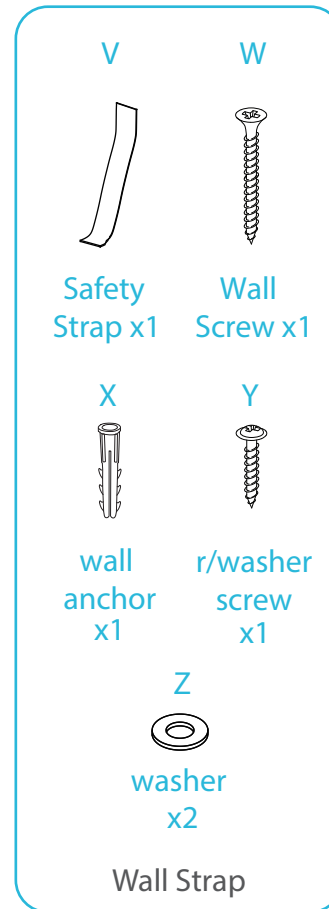
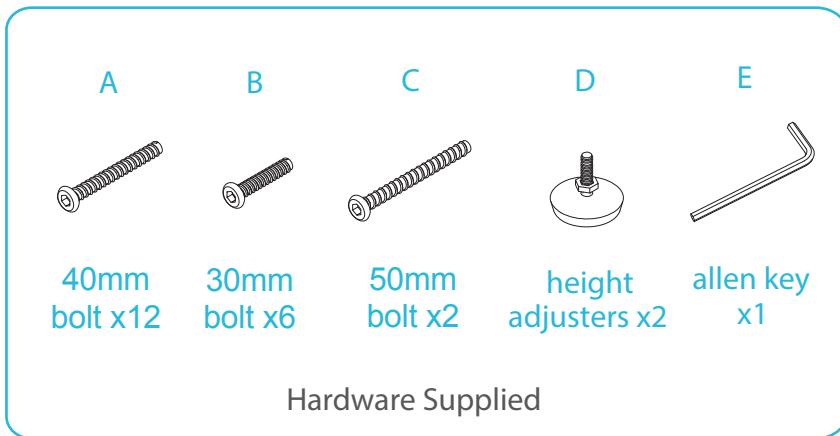


Dakota Trestle

Assembly Instructions

Thank you for your purchase.
Please follow the instructions below for correct assembly.

mocka



WARNING: Any furniture that is not anchored to a wall has the potential to tip over in certain circumstances, i.e. if a child attempts to climb up on the furniture or in the event of an earthquake. Accordingly, we recommend that all furniture is anchored to a wall. We supply a free safety wall anchor with all furniture sold and we recommend these are used to prevent your product tipping. The fixing device provided should fit most wall types, but please note that different wall materials may require different fixing devices from those supplied.

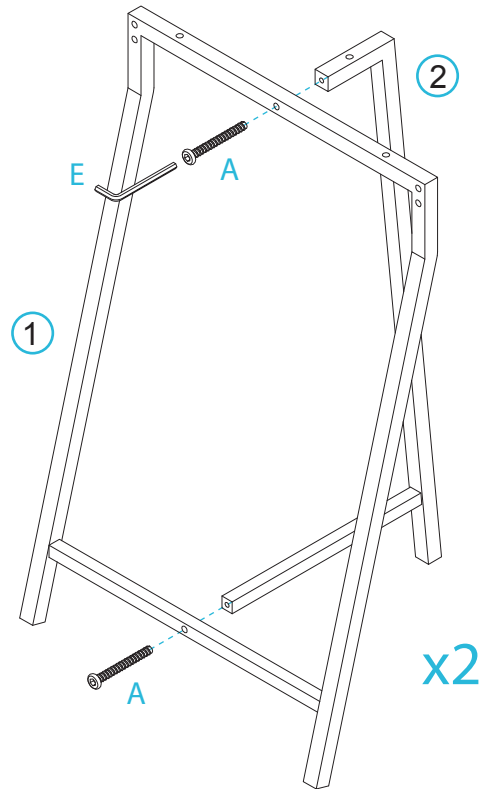


Dakota Trestle

Assembly Instructions

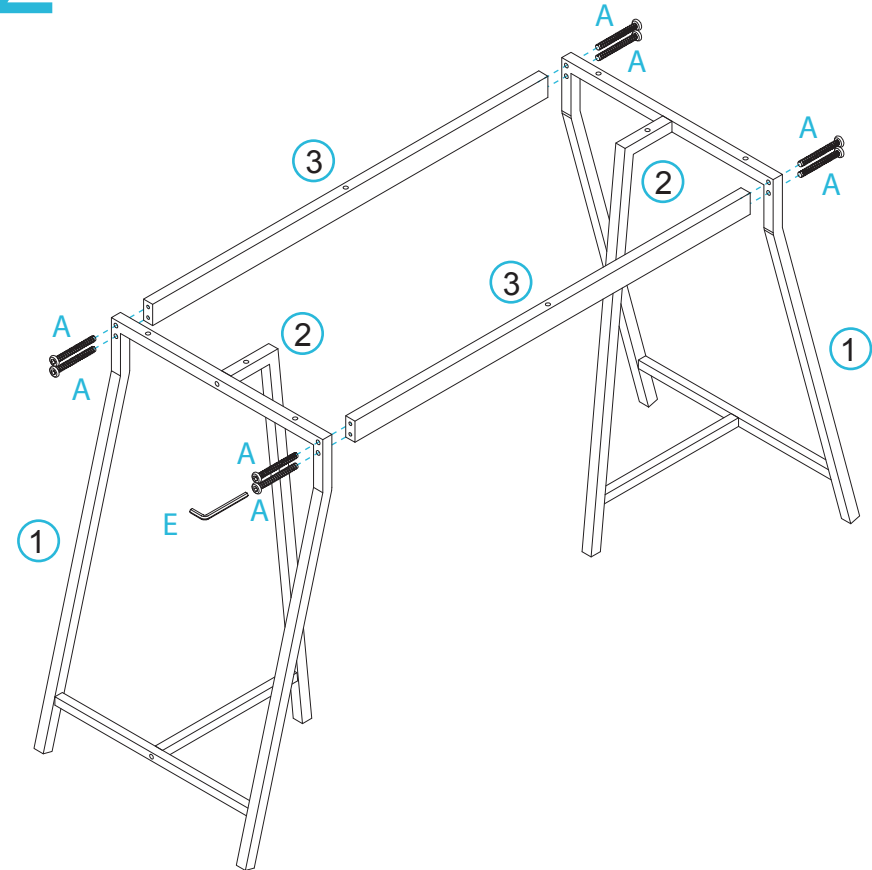
mocka

1



Assemble the trestle legs by attaching panel [1] to panel [2] using 2x 40mm bolts (A). Tighten with the allen key (E). Repeat this step using the other panels [1] and [2].

2



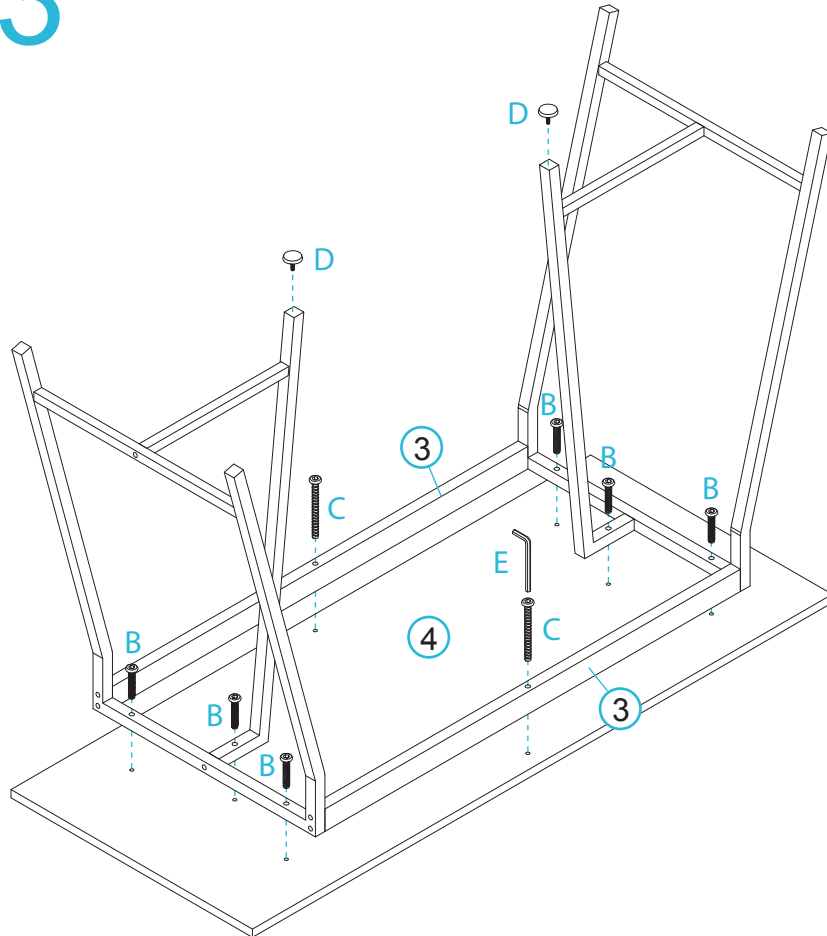
Attach the leg panels [1]/[2] to panels [3] using 8x 40mm bolts (A). Tighten with the allen key (E).

Dakota Trestle

Assembly Instructions

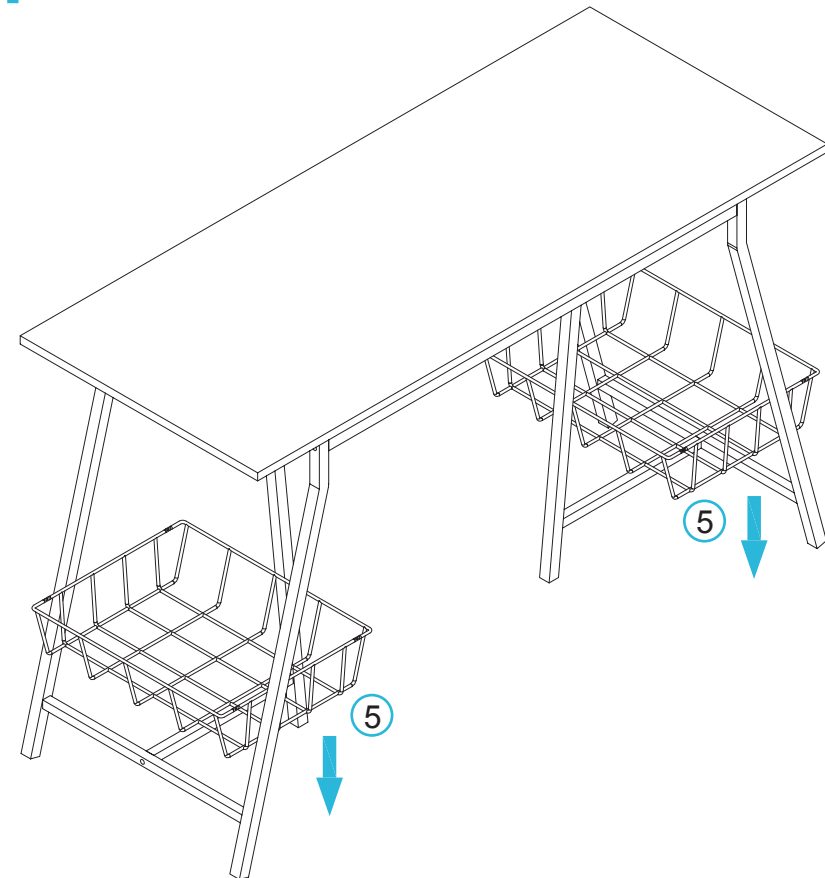
mocka

3



Turn the frame over and attach to the underside of panel [4]. Use 2x 50mm (C) bolts to secure panels [3], and 6x 30mm bolts (B) to secure panels [1] and [2]. Tighten all bolts with the allen key (E). If the floor is uneven, attached 2x height adjusters (D) to the inner legs as shown.

4



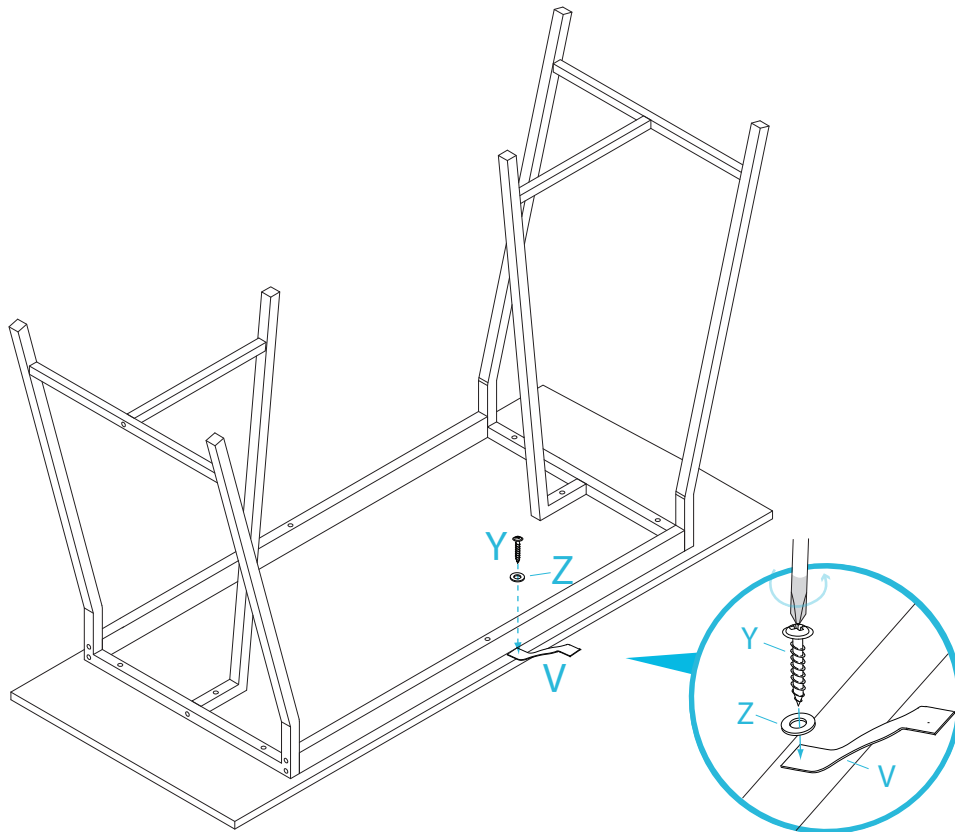
Carefully turn over the trestle table onto its base. Insert the baskets [5] down between the legs.

Dakota Trestle

Assembly Instructions

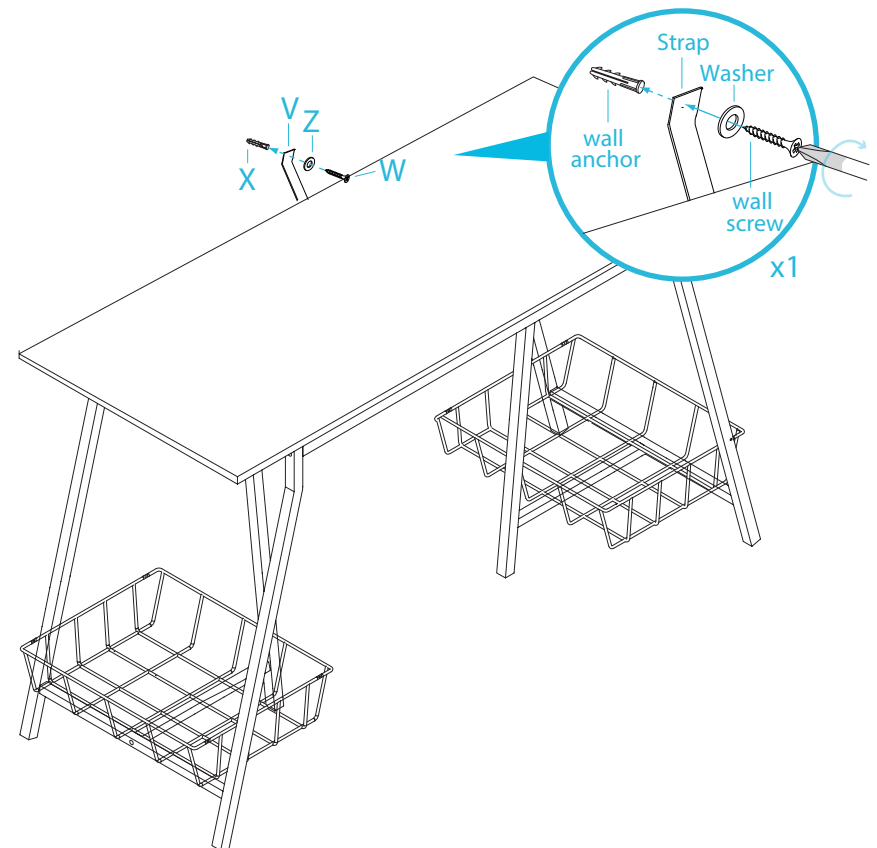
mocka

5 Wall Strap



Attach safety strap (V) to the underside of the table using 1x washer (Z) and 1x screw (Y). Tighten with a screwdriver. Once assembled lift furniture into place, do not drag.

6



Use a drill to create a small hole lining up with the top of the safety strap (V). Fasten to wall using 1x wall anchor (X), 1x washer (Z) and 1x screw (W). Ensure unit is balanced and steady before use. You're done, enjoy!