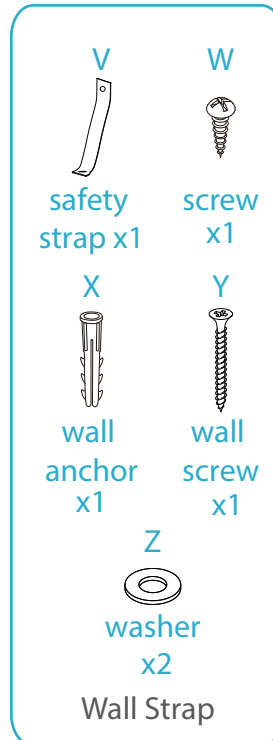
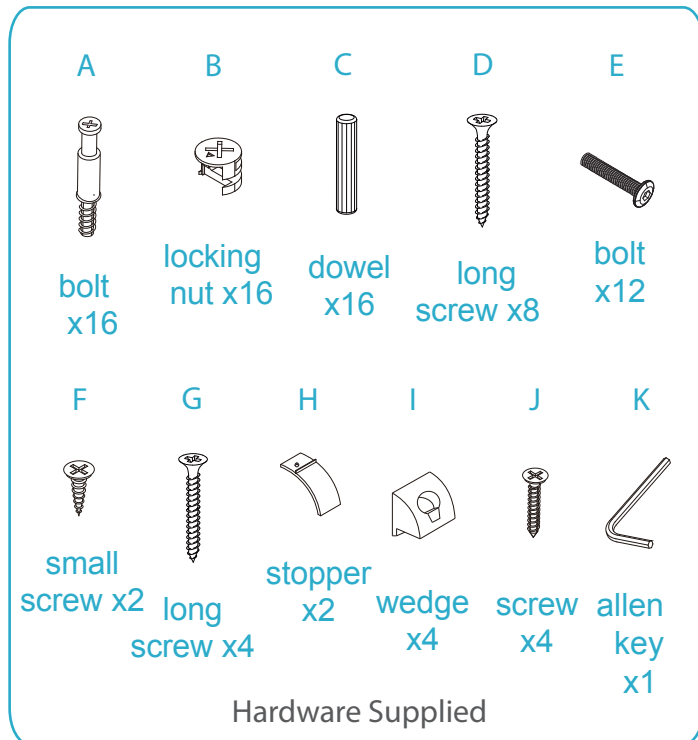


Vibe/Olsen Bedside Table

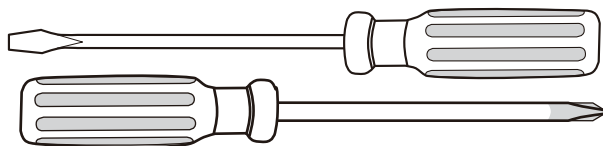
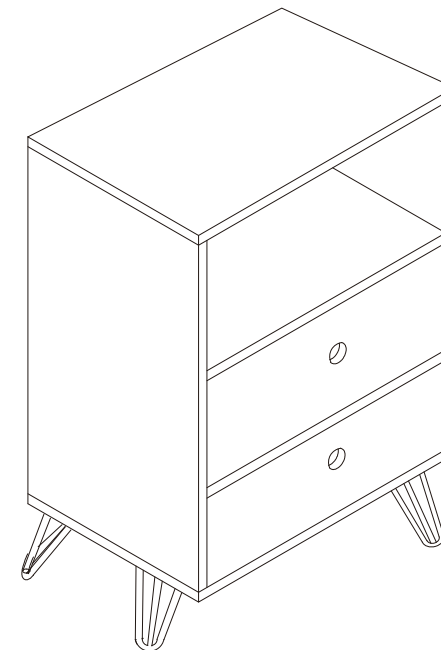
Assembly Instructions

mocka

Thank you for your purchase.
Please follow the instructions below for correct assembly.



WARNING: Any furniture that is not anchored to a wall has the potential to tip over in certain circumstances, i.e. if a child attempts to climb up on the furniture or in the event of an earthquake. Accordingly, we recommend that all furniture is anchored to a wall. We supply a free safety wall anchor with all furniture sold and we recommend these are used to prevent your product tipping. The fixing device provided should fit most wall types, but please note that different wall materials may require different fixing devices from those supplied.



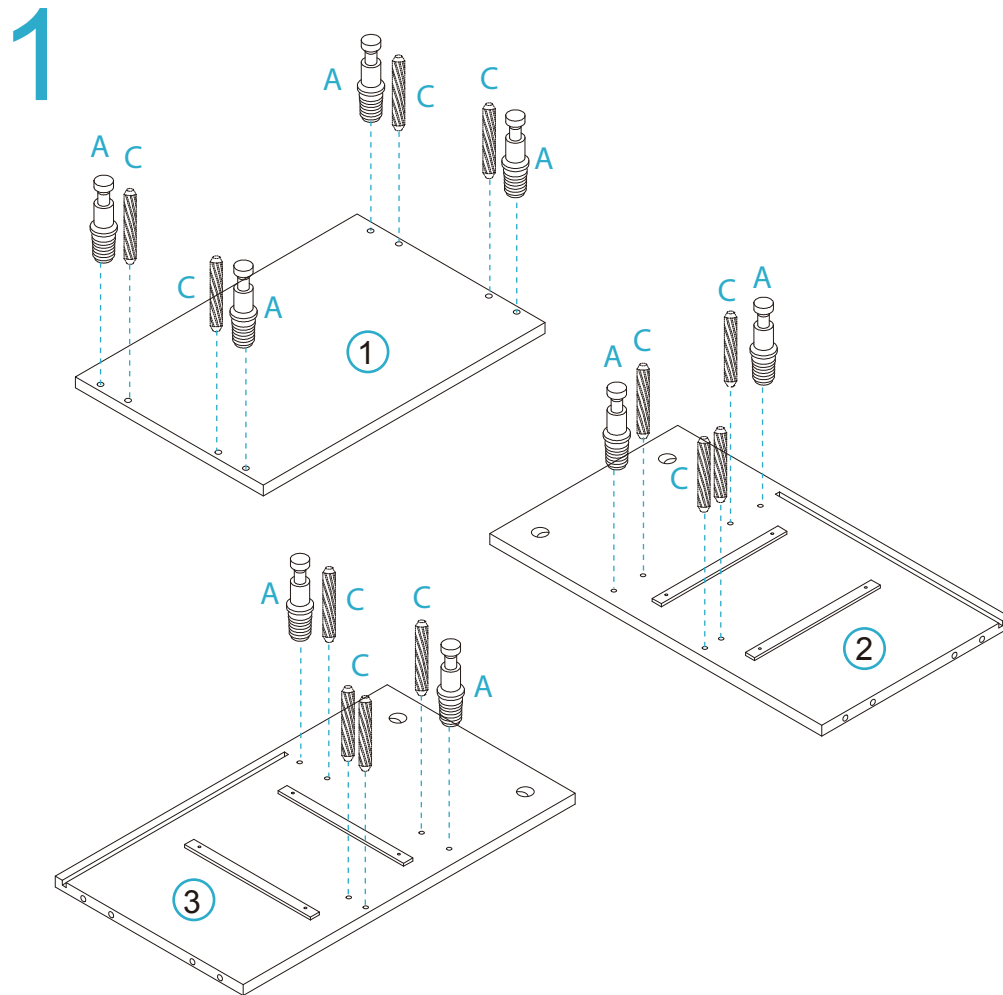
Phillips & Flathead screwdrivers required
For quicker assembly, we recommend the use of a power drill on a low-speed setting.

*We recommend using a Flathead screwdriver to tighten all locking nuts 100% before first use.
Please clear any loose wood from the locking nut holes before inserting the nut to ensure it locks 100%.

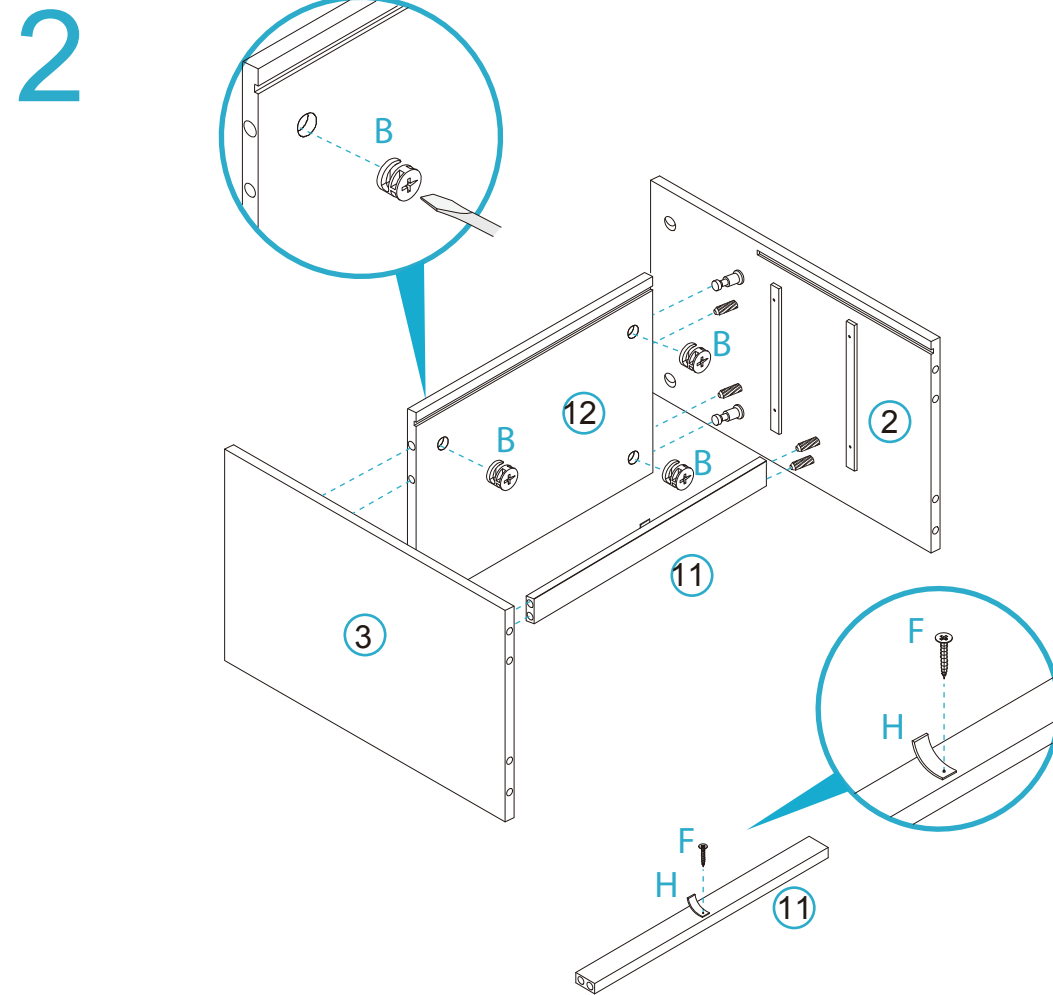
Vibe/Olsen Bedside Table

Assembly Instructions

mocka



Insert 8x bolts (A) and 12x dowels (C) into panels [1], [2] and [3].



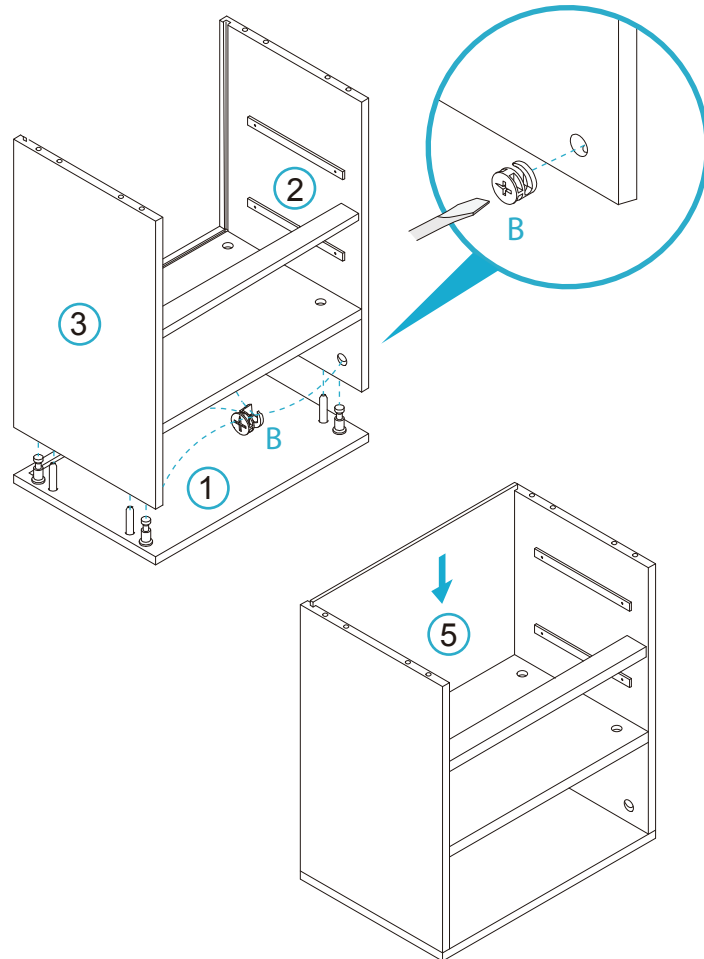
Using 1x small screw (F), attach 1x stopper (H) to panel [11]. Attach panel [2] and [3] to panel [11] and panel [12] and secure with 4x locking nuts (B). Tighten with a screwdriver.

Vibe/Olsen Bedside Table

Assembly Instructions

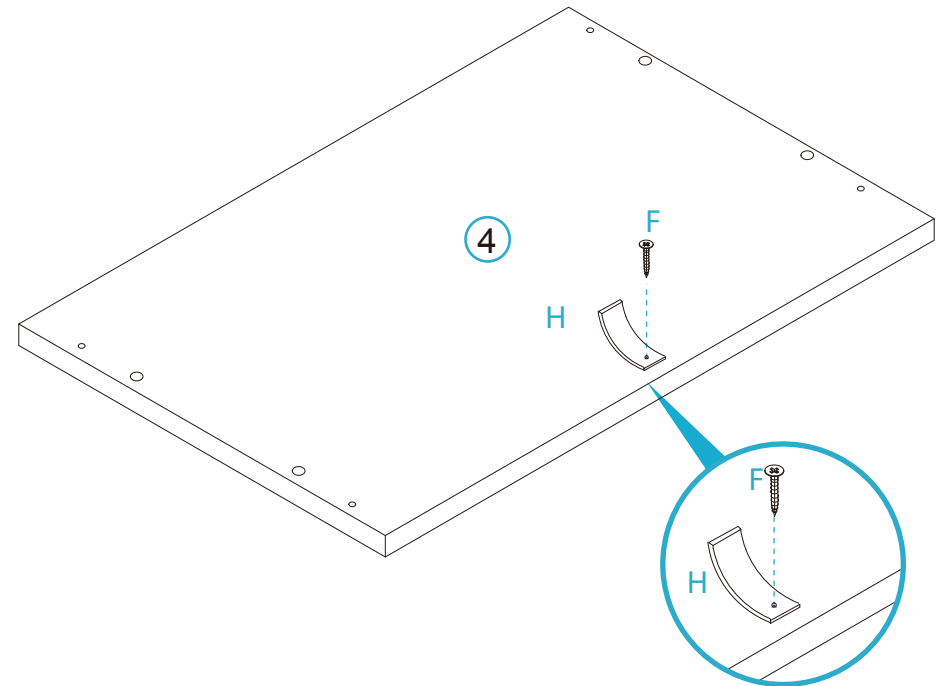
mocka

3



Attach [2] and [3] to panel [1] and secure all with 4x locking nuts (B).
Slide panel [5] into place in the grooves between [2] and [3].

4

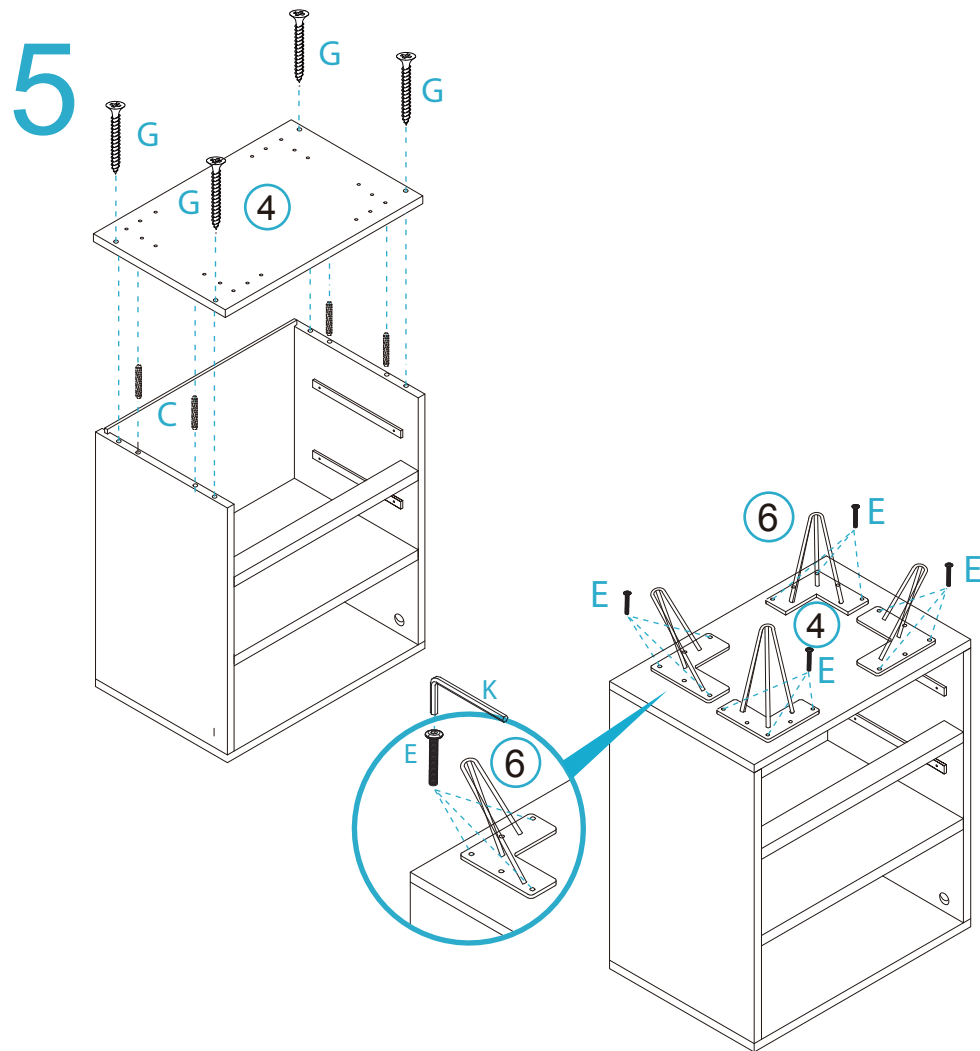


Using 1x small screw (F), attach stopper (H) to the underside of panel [4].
Tighten with a screwdriver.

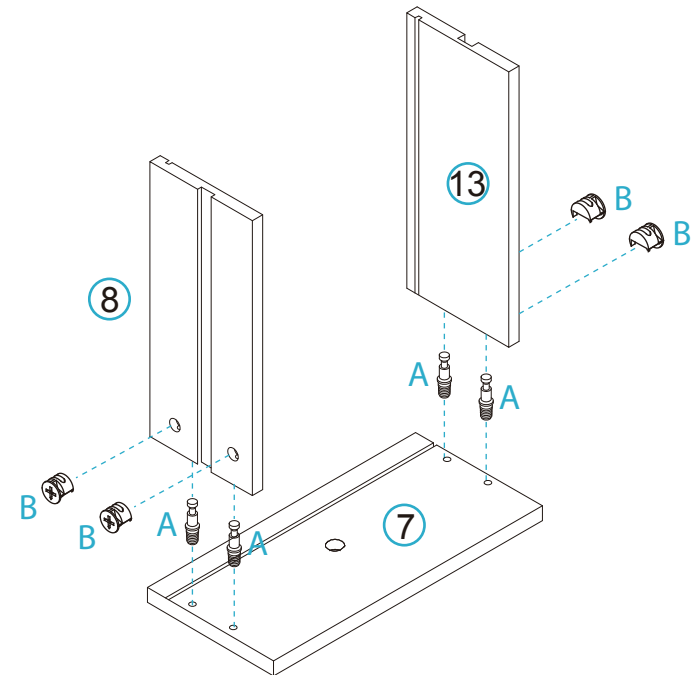
Vibe/Olsen Bedside Table

Assembly Instructions

mocka



6 Drawers x2



Insert 4x dowels (C) into panels [2] and [3]. Attach panel [4] to main unit with 4x long screws (G) and tighten with a screwdriver. Attach 4x legs [6] to the bottom panel [4] with 12x bolts (E), and tighten with an Allen key (K).

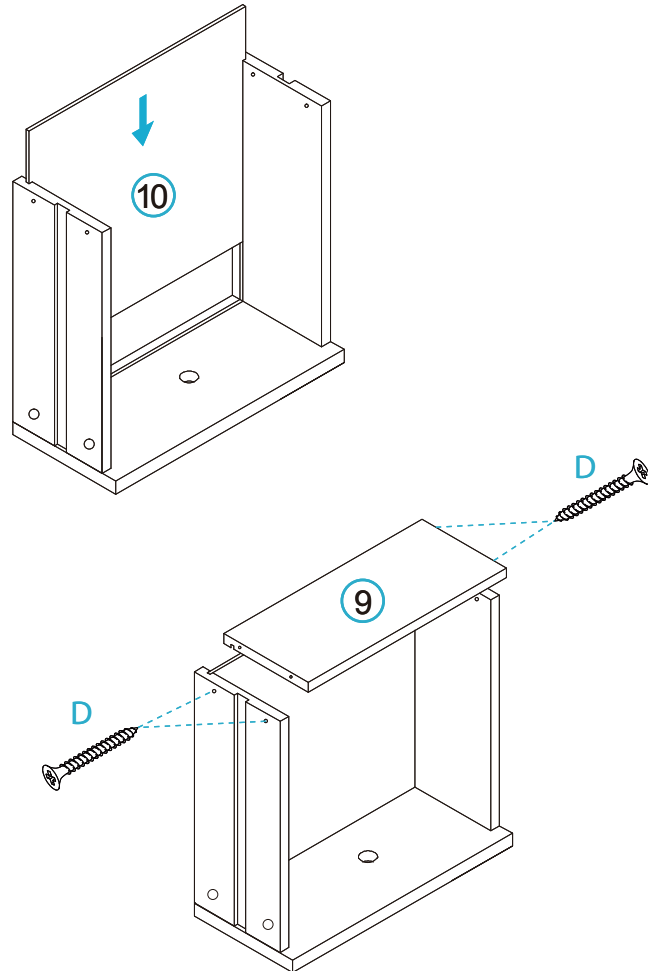
Attach side panels [8] and [13] to front drawer panel [7] with 4x bolts (A) and secure with 4x locking nuts (B). Tighten with a screwdriver.

Vibe/Olsen Bedside Table

Assembly Instructions

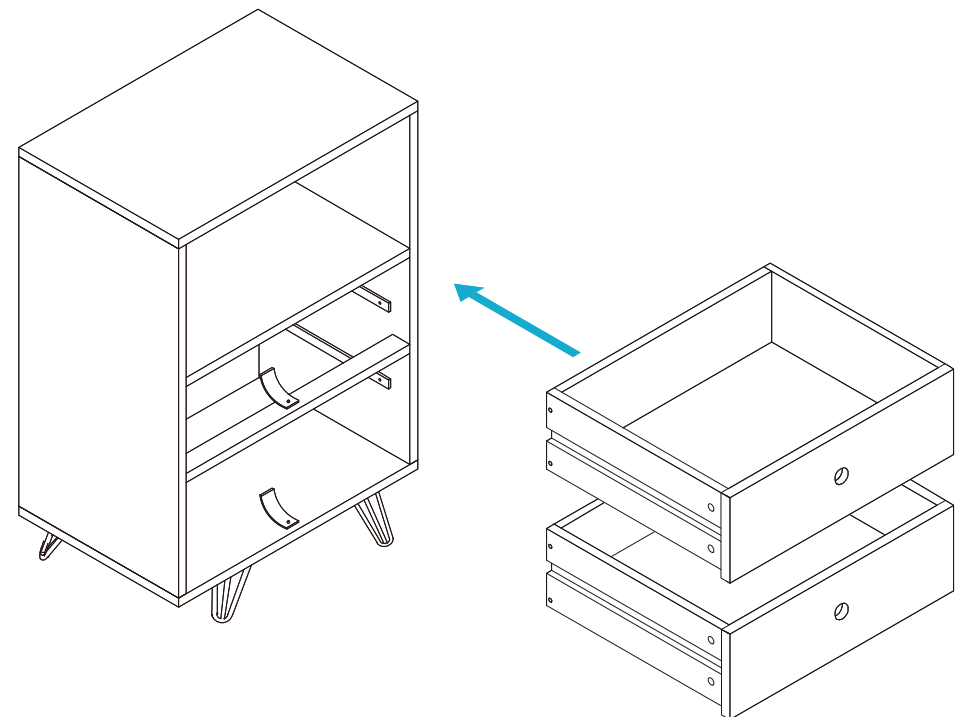
mocka

7



Slide panel [10] down along the grooves between the side panels. Attach panel [9] to the side panels using 4x long screws (D). Tighten with a screwdriver. Repeat Steps 4 & 5 to assemble the second drawer.

8



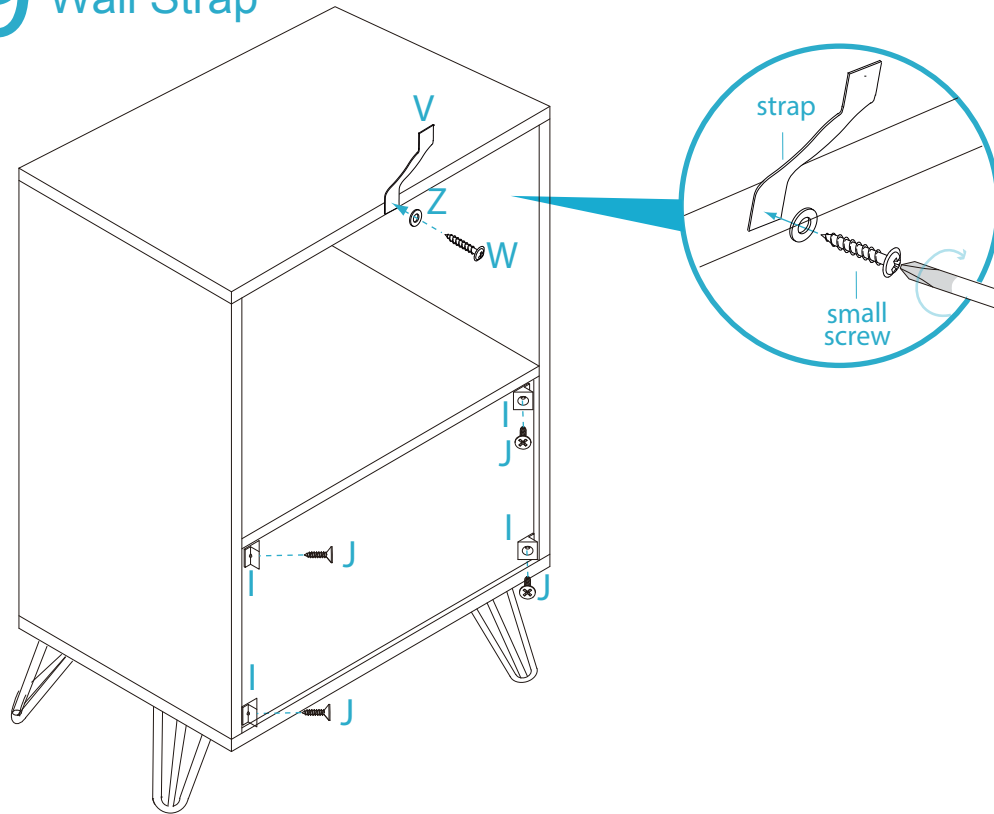
Slide the completed drawers into the unit, ensuring they slide smoothly and easily.

Vibe/Olsen Bedside Table

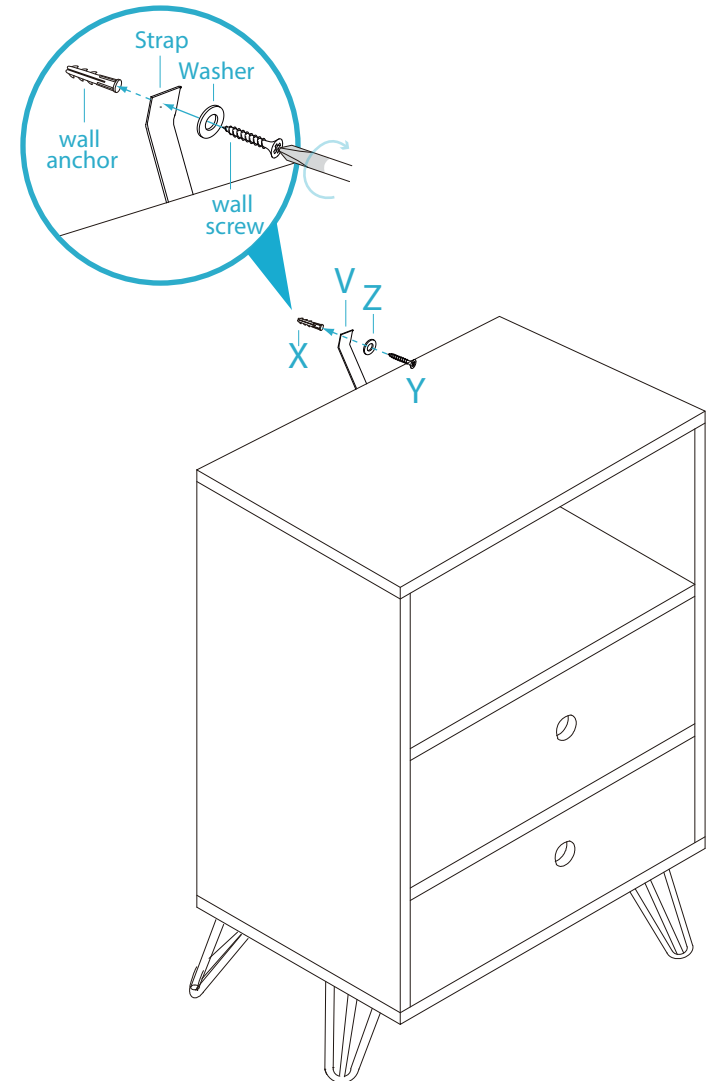
Assembly Instructions

mocka

9 Wall Strap



10



Attach 4x wedges (I) as shown using 4 x screws (J). Attach the safety strap (V) to the top of the back side of the unit using 1x screw (W) and 1 x washer (Z). Tighten with a screwdriver.

Lift furniture into place, do not drag. Attach the other end of the safety strap (V) to the wall with 1x screw (Y) and 1 x washer (Z). Tighten with a screwdriver. You're done, enjoy!