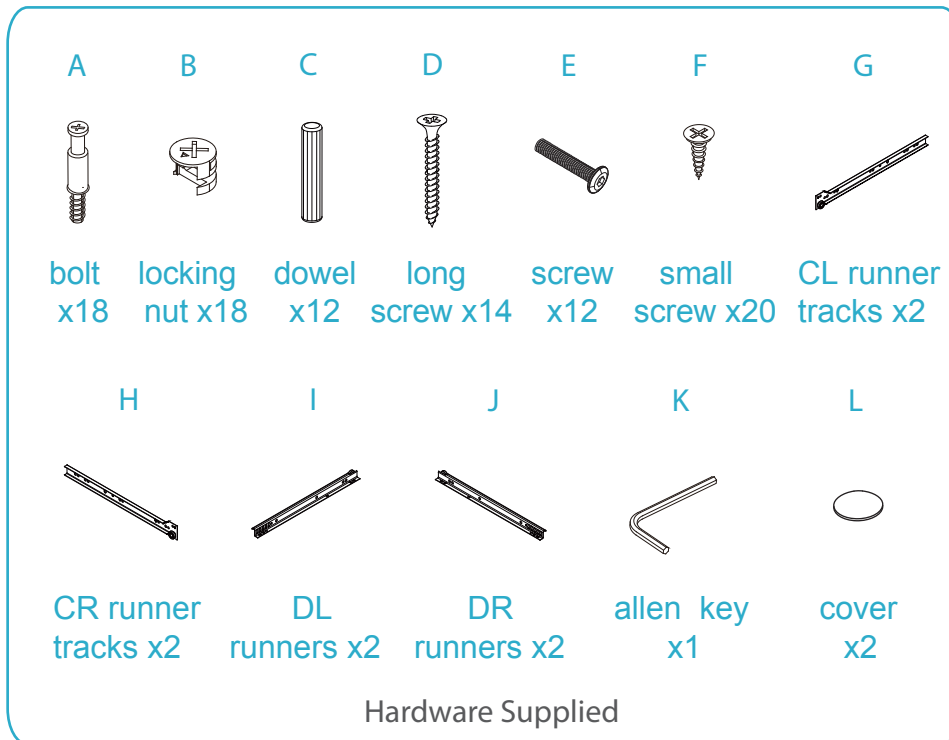


Vibe/Olsen Coffee Table

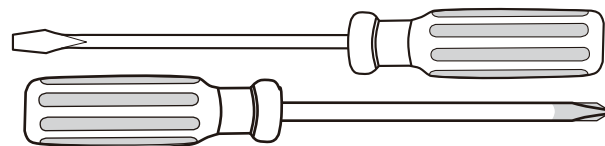
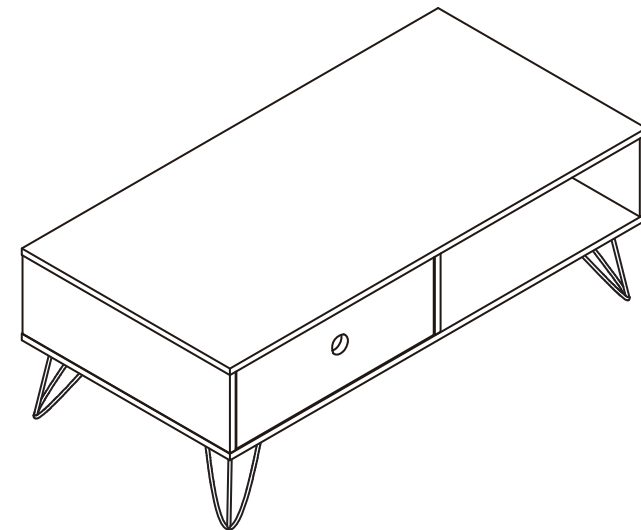
Assembly Instructions

mocka

Thank you for your purchase.
Please follow the instructions below for correct assembly.



WARNING: Any furniture that is not anchored to a wall has the potential to tip over in certain circumstances, i.e. if a child attempts to climb up on the furniture or in the event of an earthquake. Accordingly, we recommend that all furniture is anchored to a wall. We supply a free safety wall anchor with all furniture sold and we recommend these are used to prevent your product tipping. The fixing device provided should fit most wall types, but please note that different wall materials may require different fixing devices from those supplied.



Phillips & Flathead screwdrivers required
For quicker assembly, we recommend the use of a power drill on a low-speed setting.

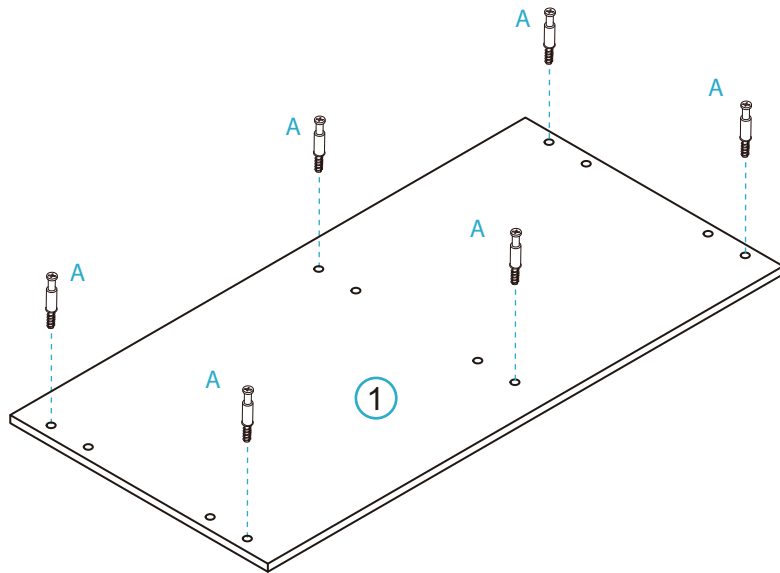
*We recommend using a Flathead screwdriver to tighten all locking nuts 100% before first use.
Please clear any loose wood from the locking nut holes before inserting the nut to ensure it locks 100%.

Vibe/Olsen Coffee Table

Assembly Instructions

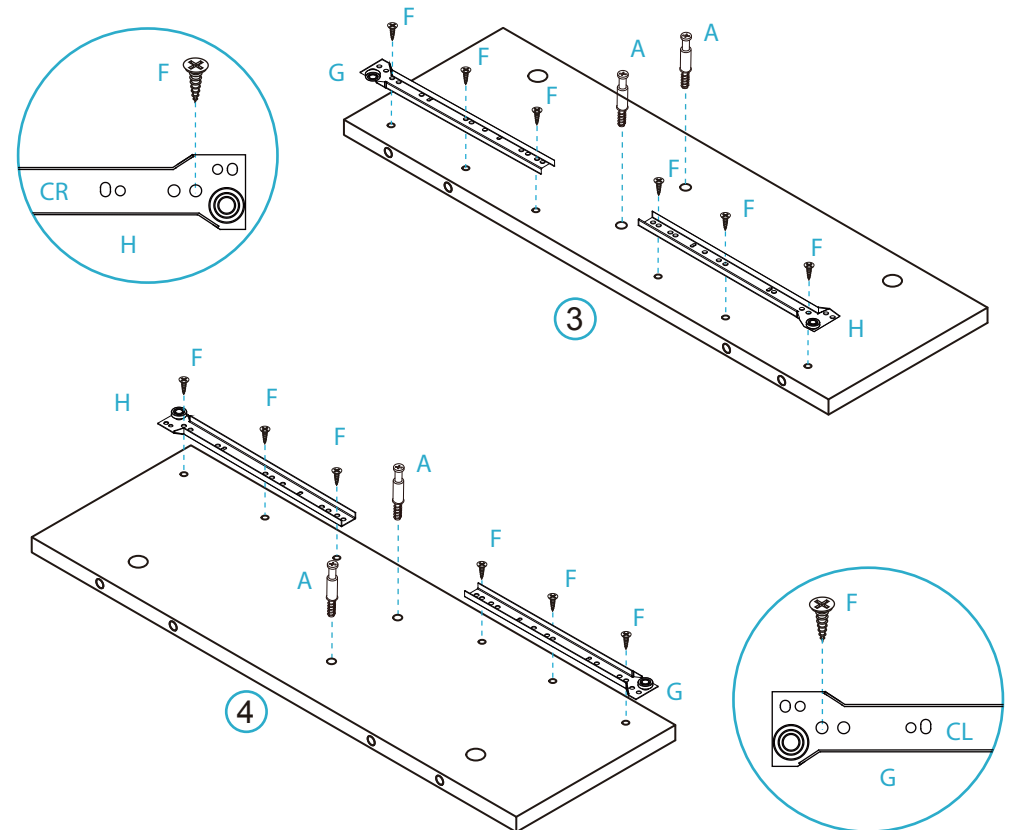
mocka

1



Insert 6x bolts (A) into panels [1] and tighten with a screwdriver.

2



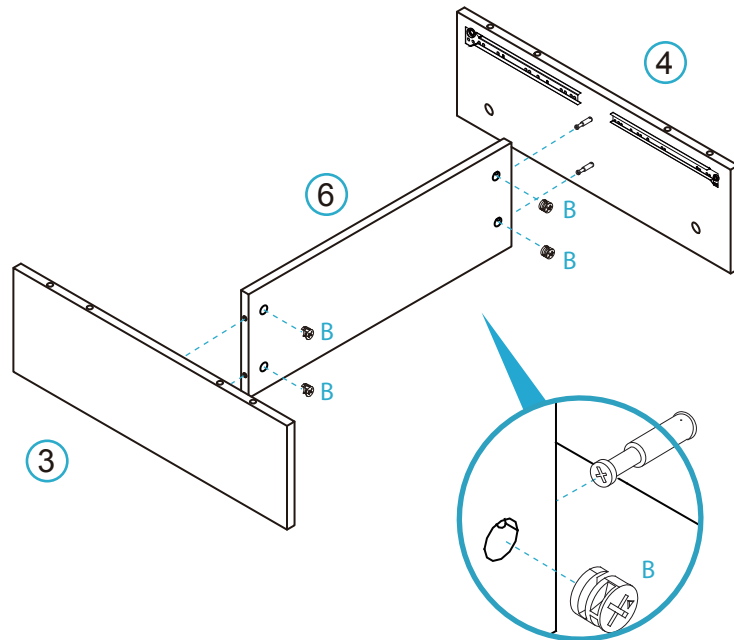
Attach 1x CL runner track (G) and 1x CR runner tracks (H) to panel [3] with 6x screws (F). Attach 1x CL runner track (G) and 1x CR runner tracks (H) to panel [4] with 6x screws (F). Insert 4x bolts (A) into the panels [3] and [4]. Tighten with a screwdriver.

Vibe/Olsen Coffee Table

Assembly Instructions

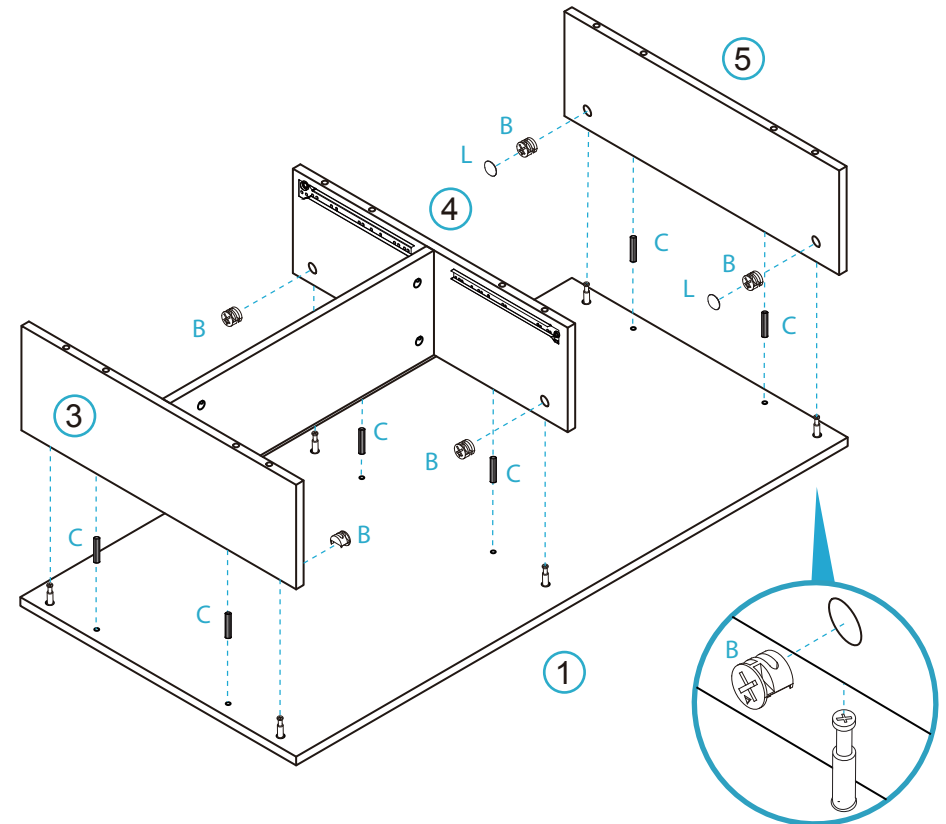
mocka

3



Attach panels [3] and [4] to panel [6] and secure with 4x locking nuts (B). Tighten with a screwdriver.

4



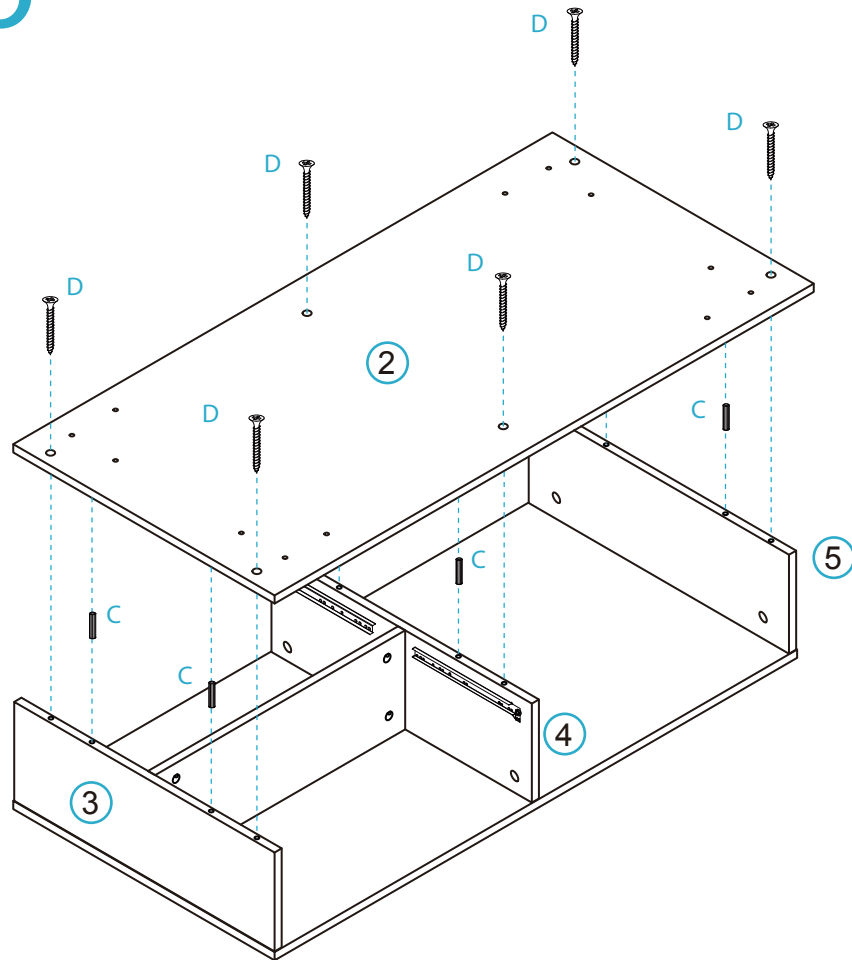
Attach panels [3] , [4] and [5] to panel [1] with 6x dowels (C) and secure with 6x locking nuts (B). Tighten with a screwdriver. Seal the holes with 2 x covers (L).

Vibe/Olsen Coffee Table

Assembly Instructions

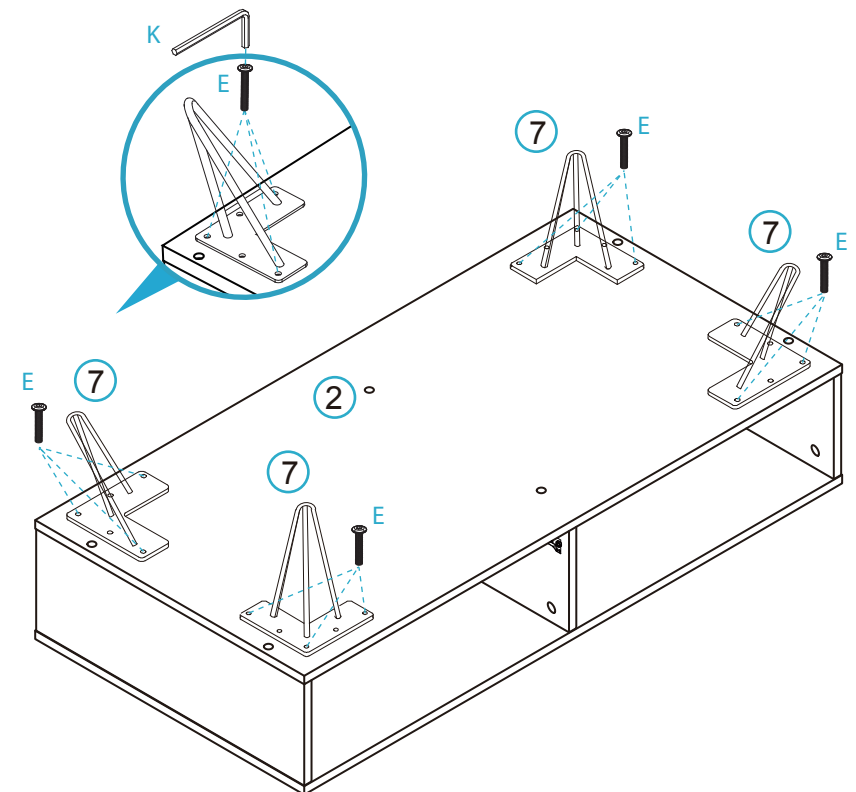
mocka

5



Attach the bottom panel [2] to the unit with 6x dowels (C) and secure with 6x long screws (D). Tighten with a screwdriver.

6



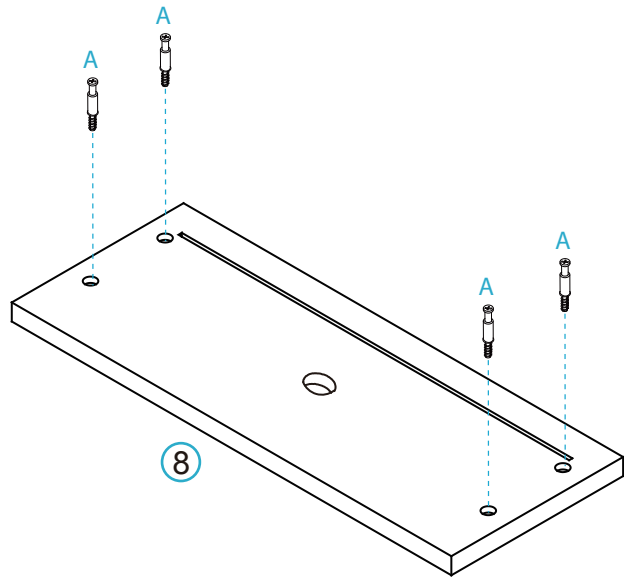
Attach 4x legs [7] to the panel [2] with 12x screws (E). Tighten with an Allen key (K).

Vibe/Olsen Coffee Table

Assembly Instructions

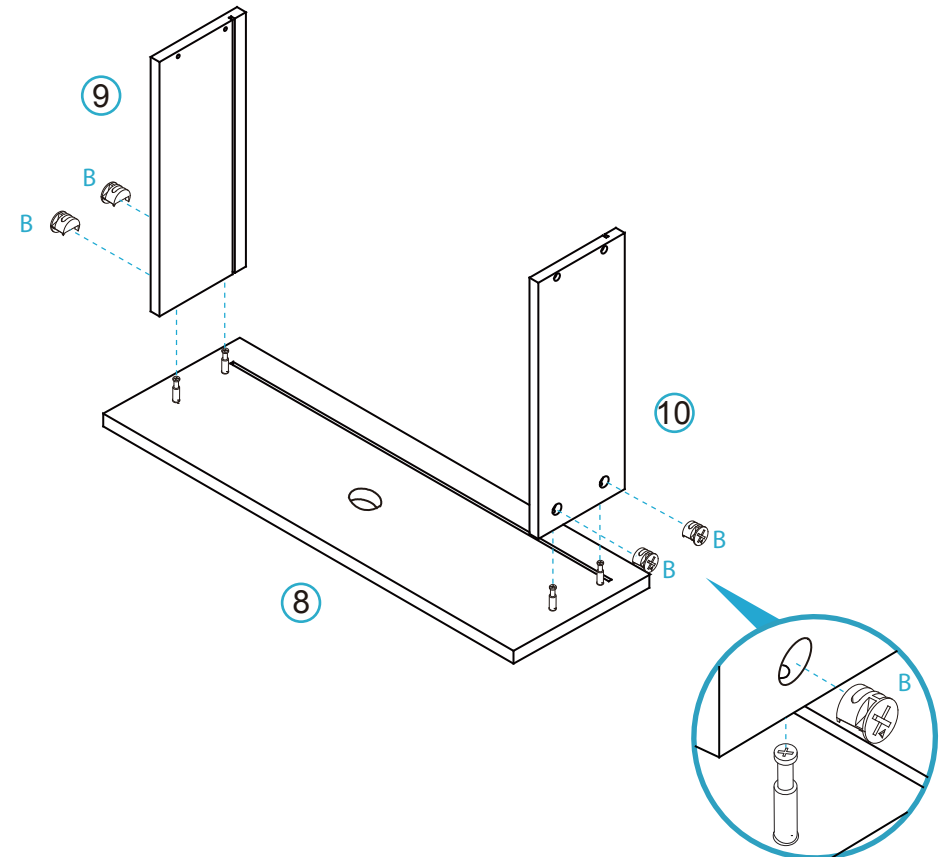
mocka

7 Drawers x2



Insert 4x bolts (A) into panel [8] and tighten with a screwdriver.

8 Drawers x2



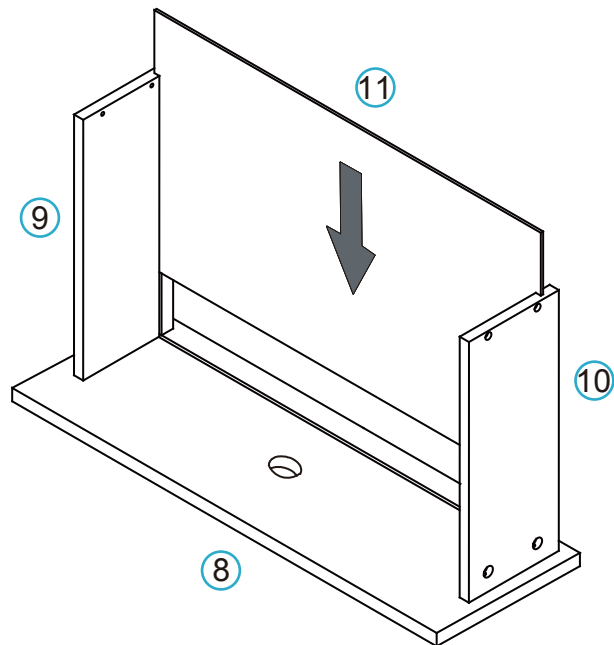
Attach side panels [9] and [10] to panel [8] and secure with 4x locking nuts (B). Tighten with a screwdriver.

Vibe/Olsen Coffee Table

Assembly Instructions

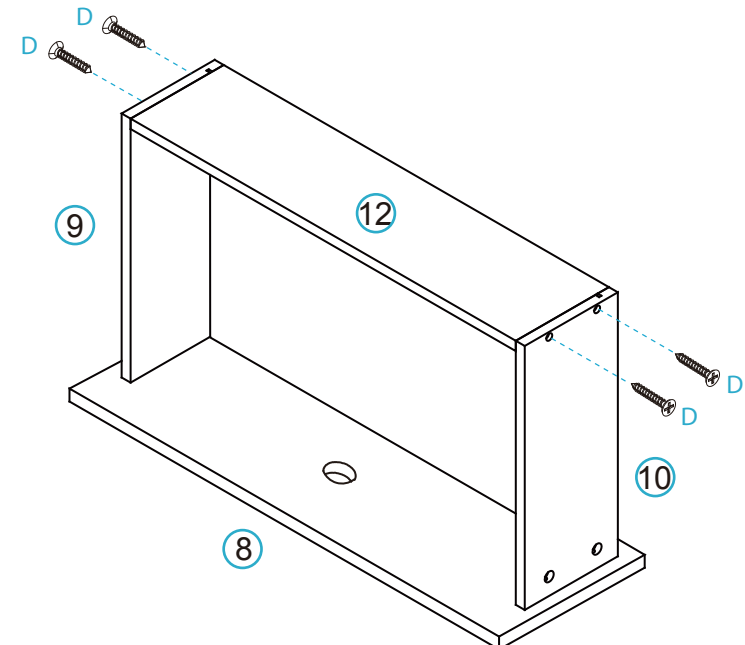
mocka

9 Drawers x2



Slide panel [11] down along the grooves between the side panels [9] and [10] to form the base of the drawer.

10 Drawers x2



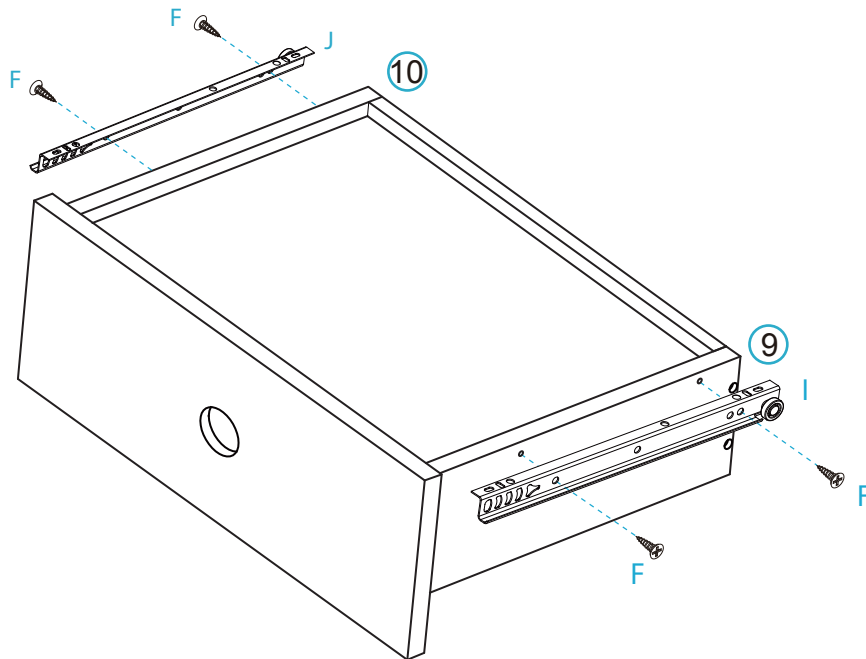
Attach panel [12] to the side panels [9] and [10] using 4x screws (D). Tighten with a screwdriver.

Vibe/Olsen Coffee Table

Assembly Instructions

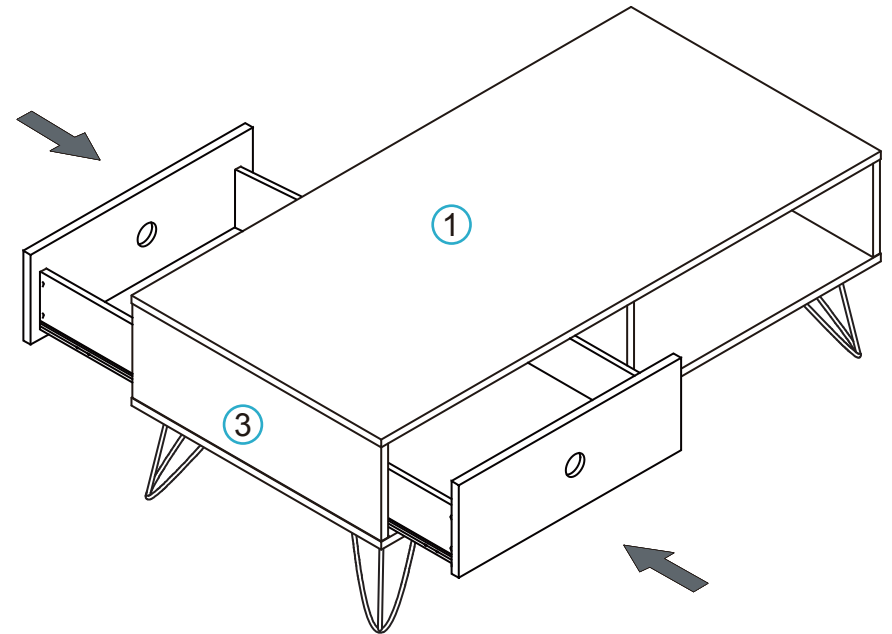
mocka

11 Drawers x2



Attach DL runner (I) to the side panel [9] and DR runner (J) to the side panel [10]. Secure with 4x screw (F) and tighten with a screwdriver. Complete the other drawer.

12



Slide the completed drawers into the unit, ensuring they slide smoothly and easily. Once assembled lift furniture into place, do not drag. You're done, enjoy!