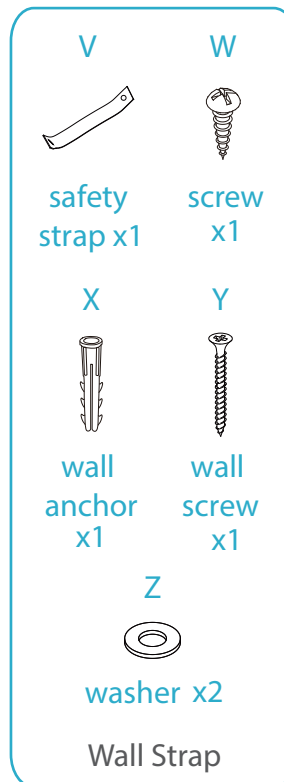
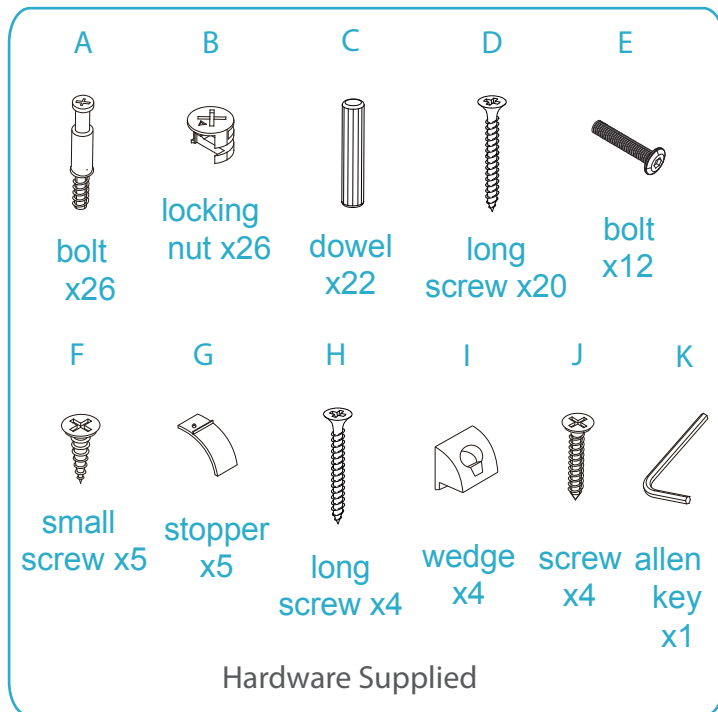


Vibe/Olsen Tallboy

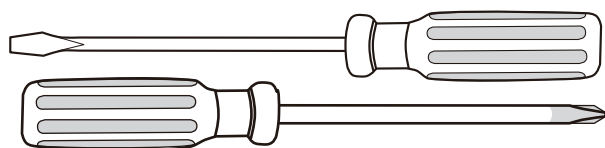
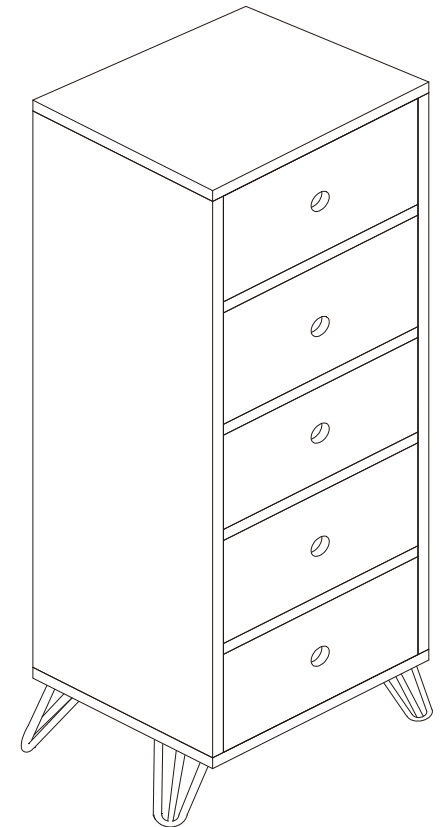
Assembly Instructions

mocka

Thank you for your purchase.
Please follow the instructions below for correct assembly.



WARNING: Any furniture that is not anchored to a wall has the potential to tip over in certain circumstances, i.e. if a child attempts to climb up on the furniture or in the event of an earthquake. Accordingly, we recommend that all furniture is anchored to a wall. We supply a free safety wall anchor with all furniture sold and we recommend these are used to prevent your product tipping. The fixing device provided should fit most wall types, but please note that different wall materials may require different fixing devices from those supplied.



Phillips & Flathead screwdrivers required
For quicker assembly, we recommend the use of a power drill on a low-speed setting.

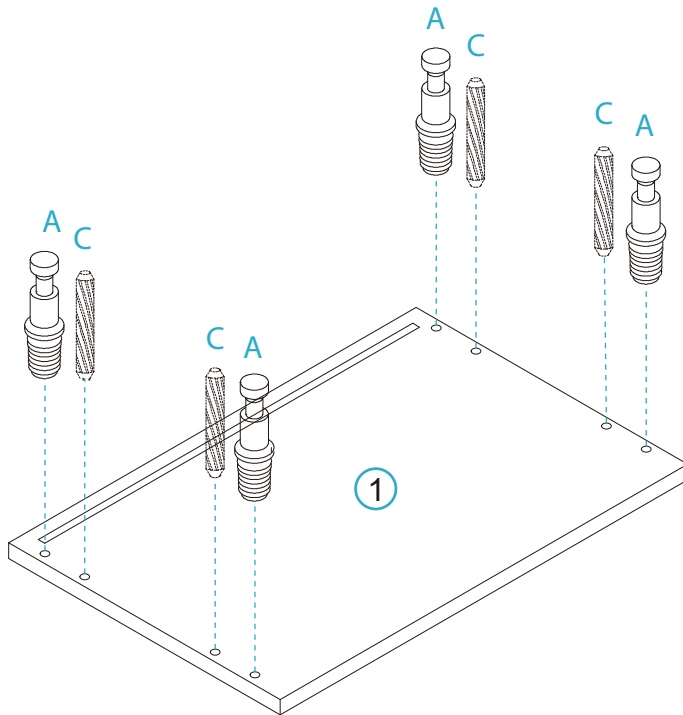
*We recommend using a Flathead screwdriver to tighten all locking nuts 100% before first use.
Please clear any loose wood from the locking nut holes before inserting the nut to ensure it locks 100%.

Vibe/Olsen Tallboy

Assembly Instructions

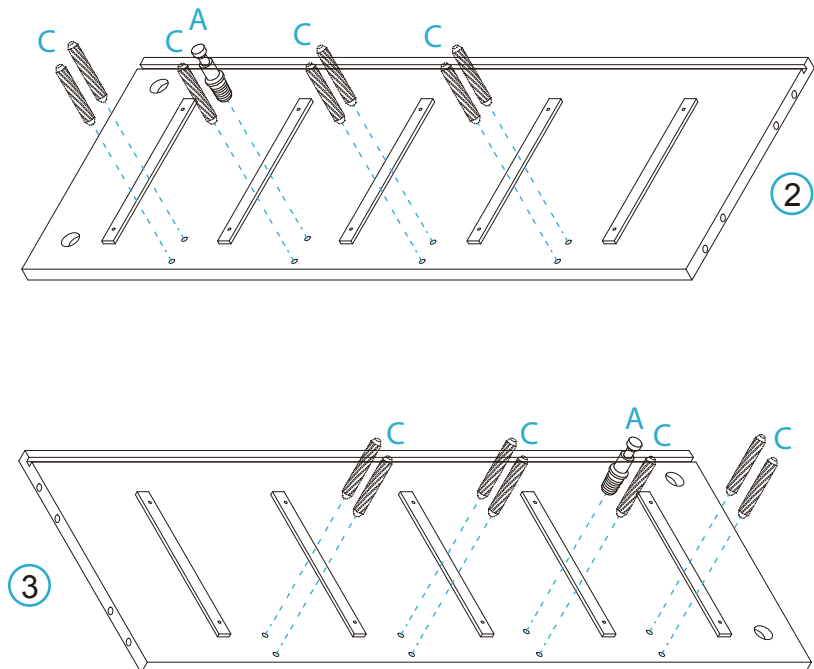
mocka

1



Insert 4x bolts (A) and 4x dowels (C) into panel [1].

2



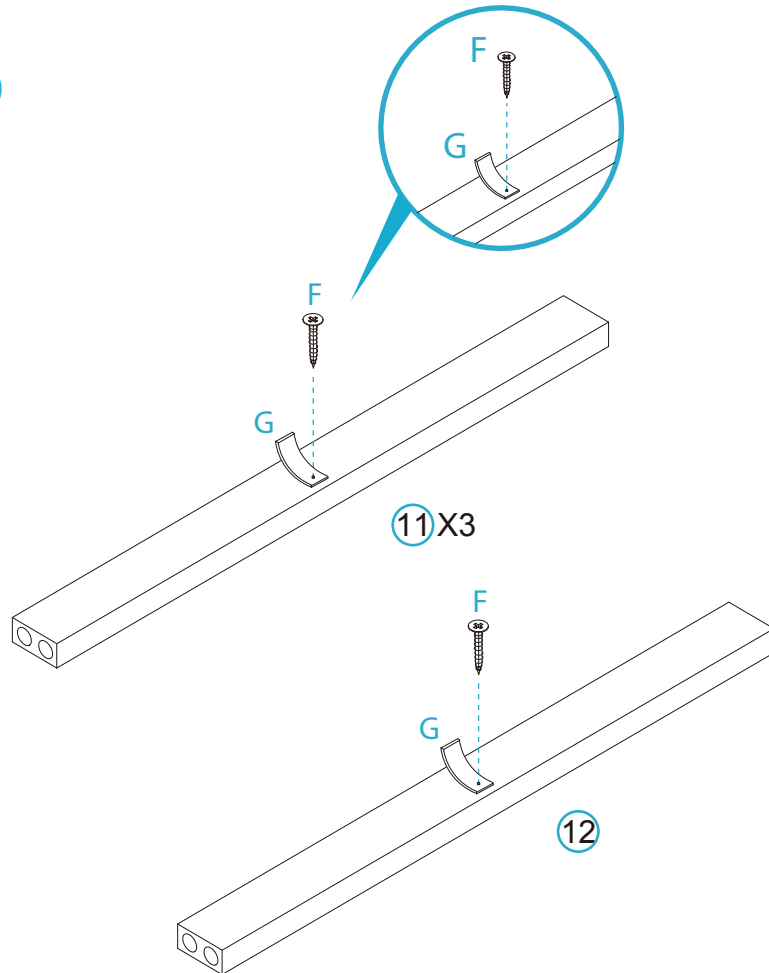
On panels [2] and [3] insert 2x bolts (A) and 14x dowels (C) as shown.

Vibe/Olsen Tallboy

Assembly Instructions

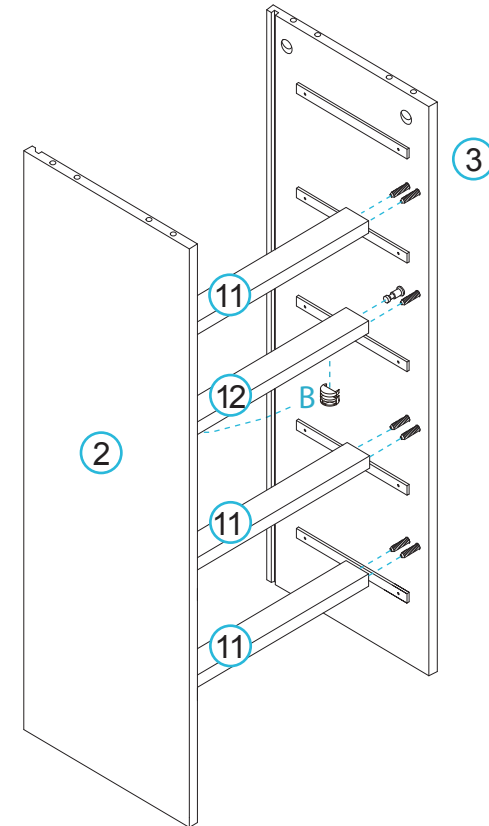
mocka

3



Attach 1x stopper (G) onto each of the 3x panels [11] and panel [12] with 4x small screws (F). Tighten with a screwdriver.

4



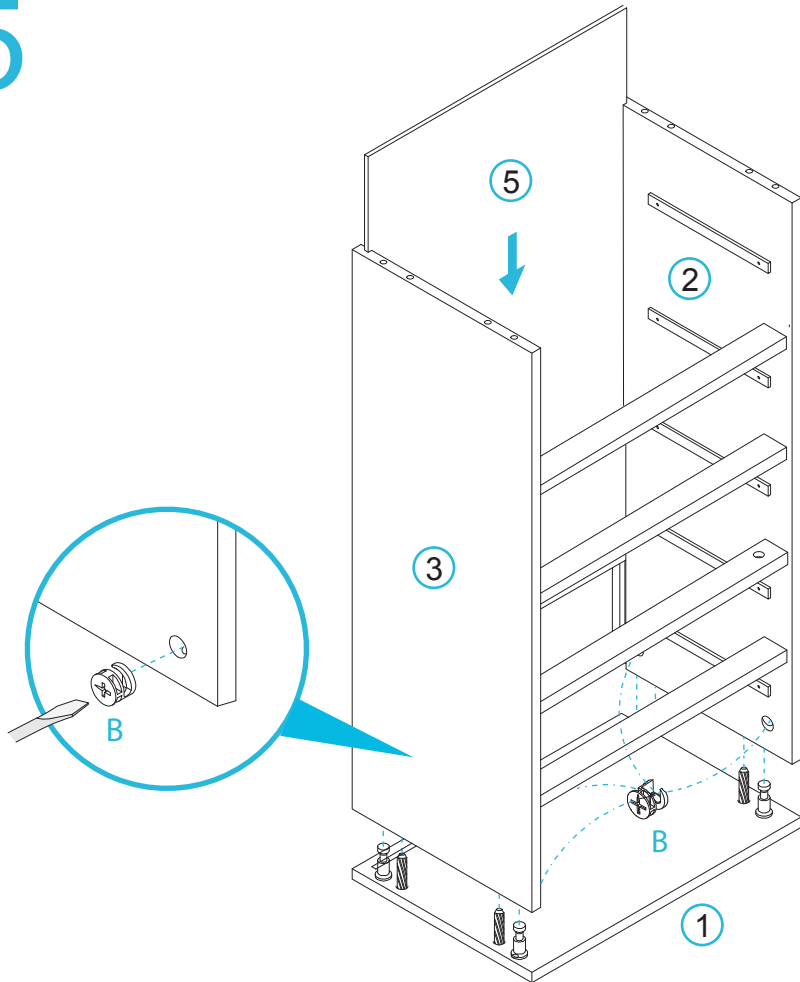
Attach 3x panels [11] and [12] to panel [2] and secure with 1x locking nuts (B). Tighten with a screwdriver. Now attach panel [3].

Vibe/Olsen Tallboy

Assembly Instructions

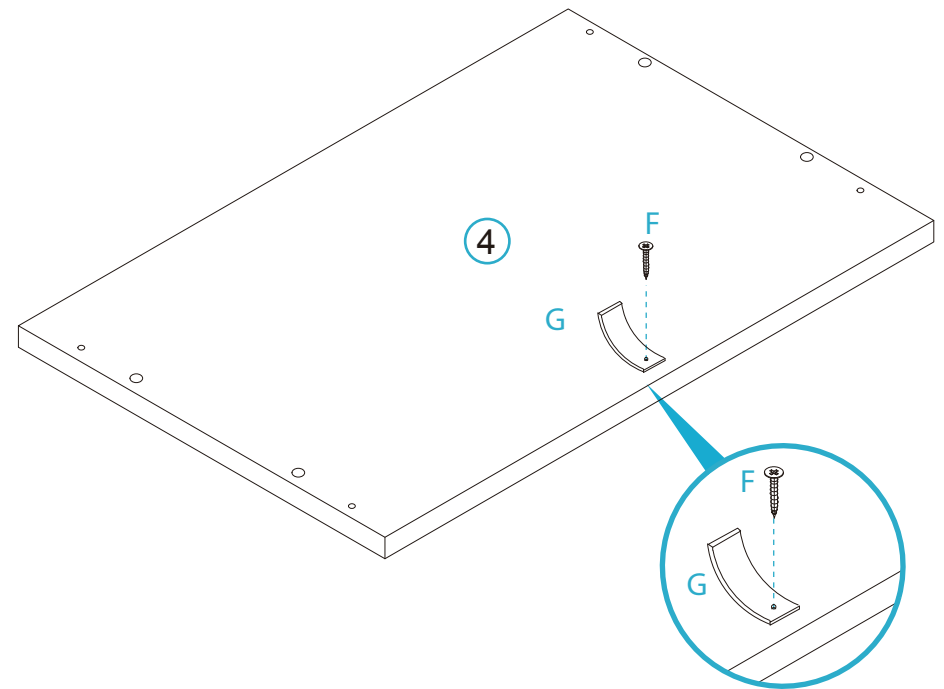
mocka

5



Attach panel [1] to the rest of the unit and secure with 4x locking nuts (B). Tighten with a screwdriver. Slide back panel [5] down the sides of panels [2] and [3] in between the grooves.

6



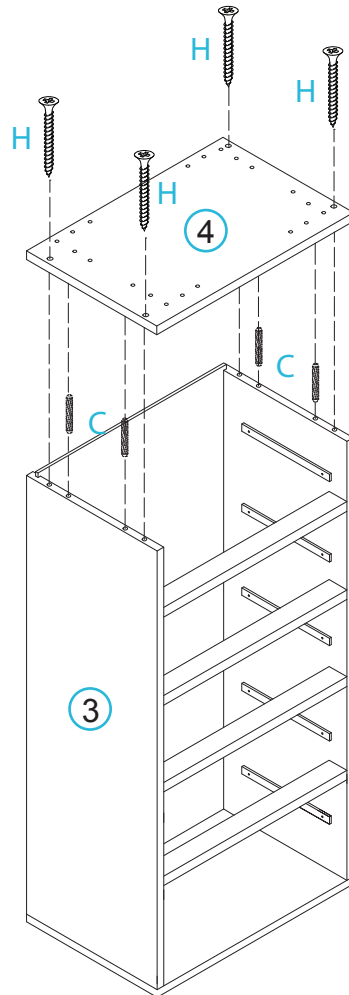
Attach 1x stopper (G) to the underside of panel [4] with 1x small screw (F). Tighten with a screwdriver.

Vibe/Olsen Tallboy

Assembly Instructions

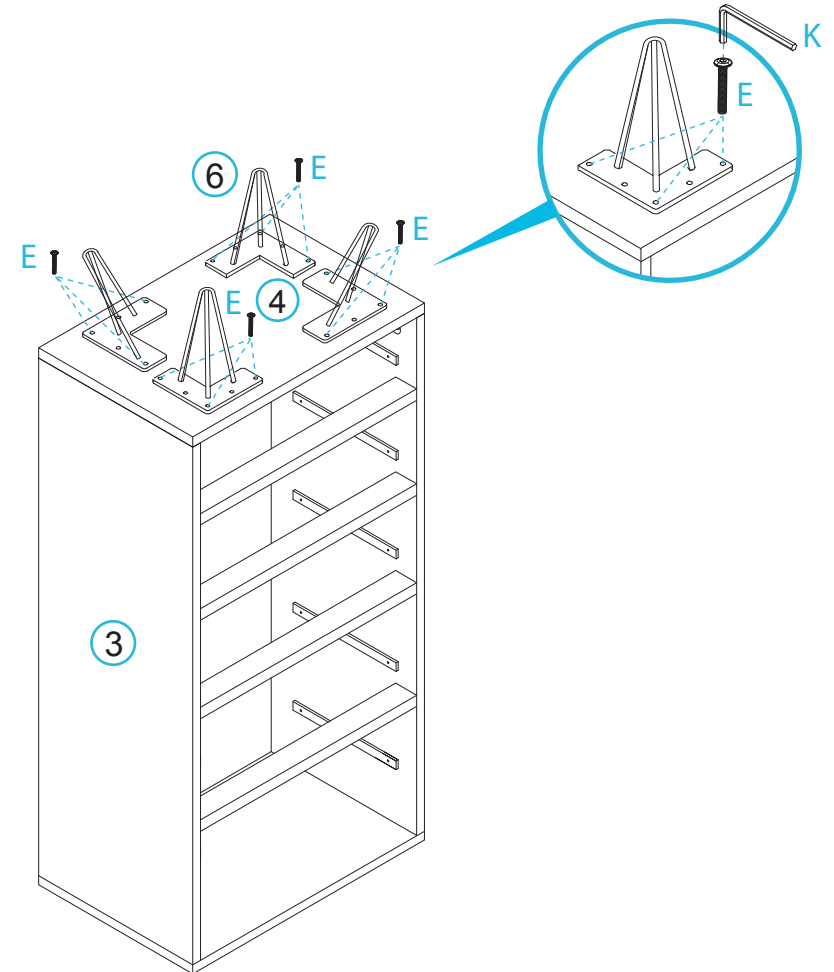
mocka

7



Insert 4x dowels (C) into the top of side panels [2] and [3]. Attach panel [4] to the main unit with 4x long screws (H) and tighten with a screwdriver.

8



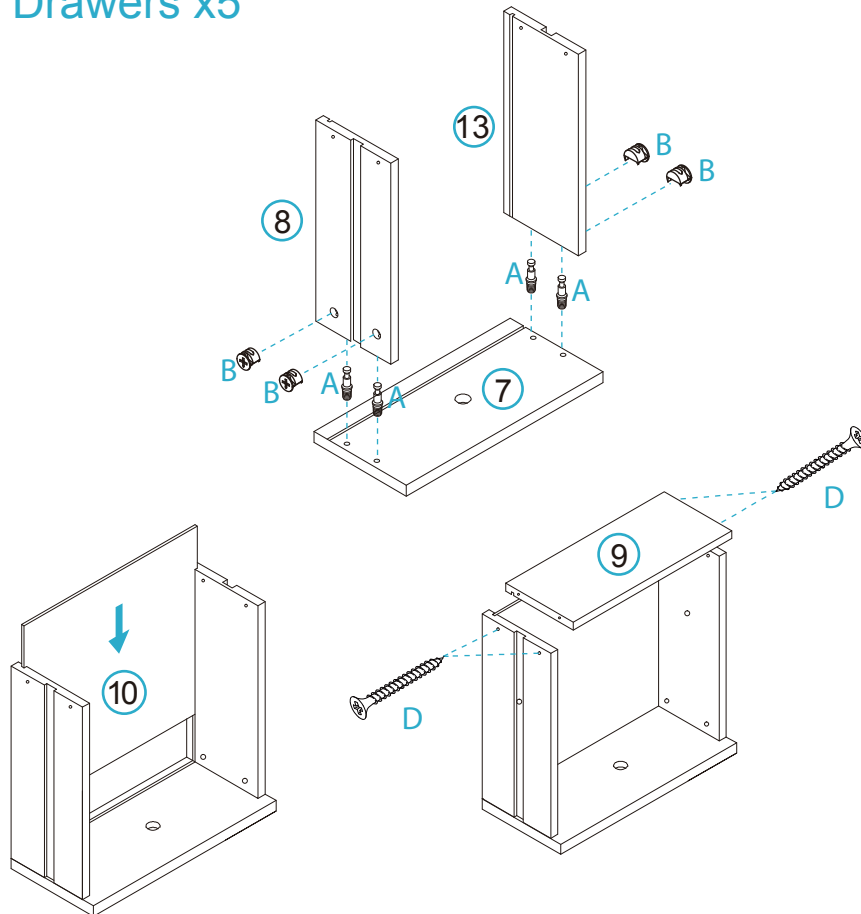
Attach 4x legs [6] to the bottom panel [4] with 12x bolts (E), and tighten with an Allen key (K).

Vibe/Olsen Tallboy

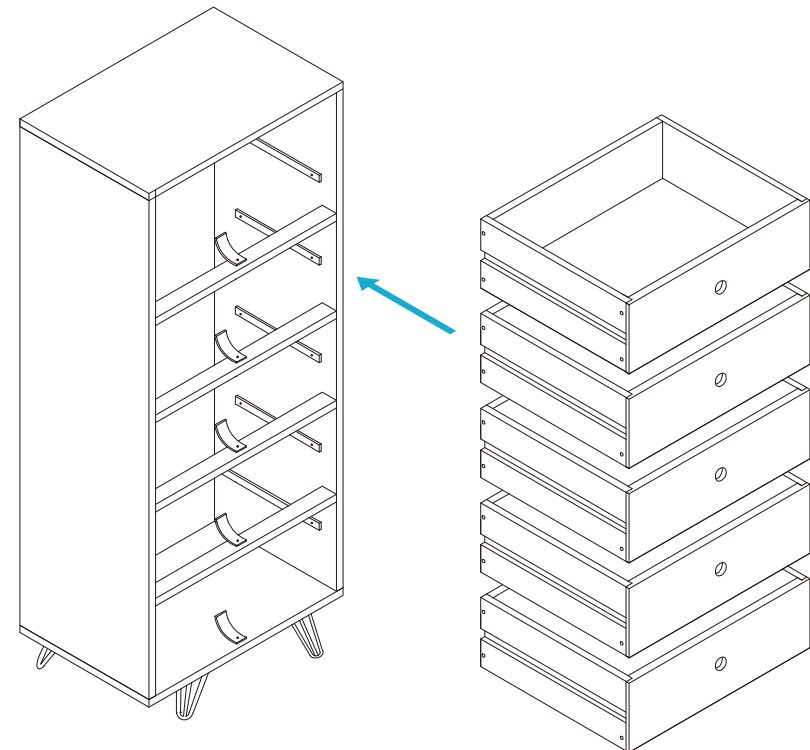
Assembly Instructions

mocka

9 Drawers x5



10



Attach side panels [8] and [13] to the front drawer panel [7] using 4x bolts (A) and 4x locking nuts (B). Slide panel [10] in to place using the grooves between the side panels [8] and [13]. Secure panel [9] onto the side panels with 4x long screws (D). Repeat for the remaining drawers.

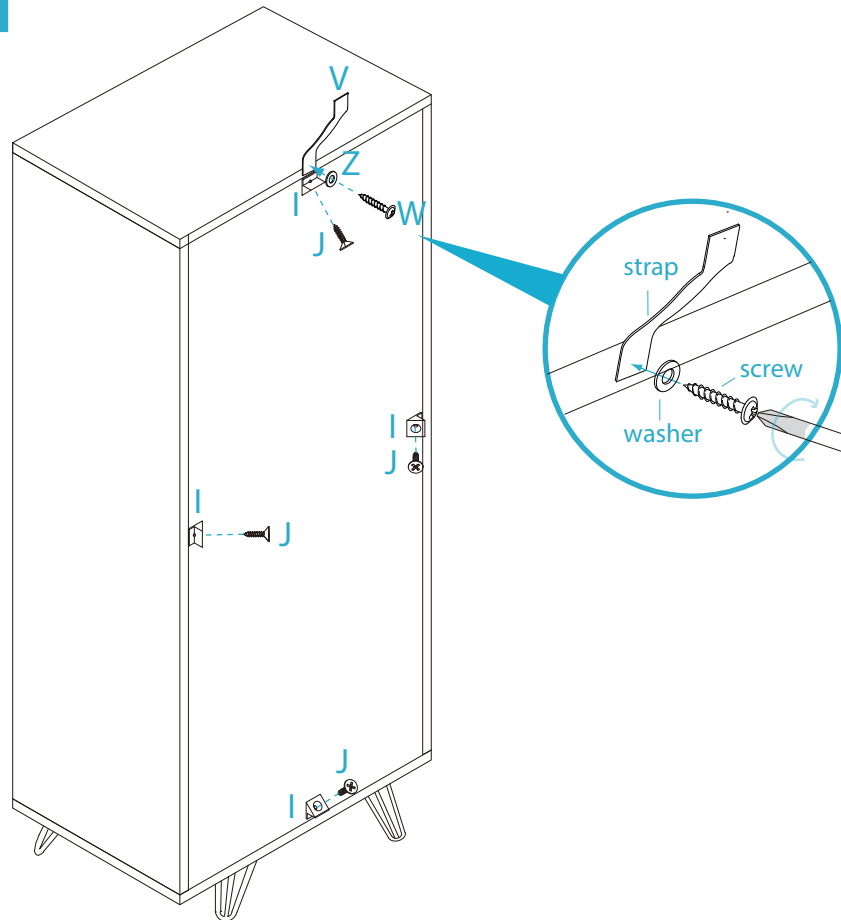
Insert each completed drawer into the main unit.

Vibe/Olsen Tallboy

Assembly Instructions

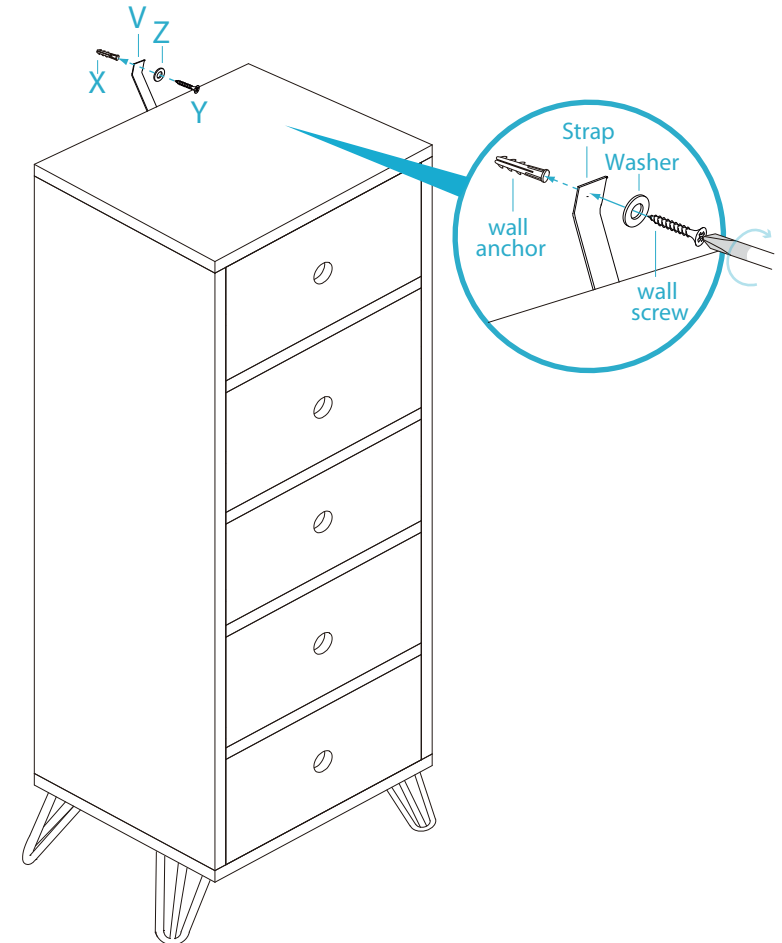
mocka

11



Attach the safety strap (V) to the top of the back side of the unit using 1x screw (W) and 1 x washer (Z). Tighten with a screwdriver.

12



Lift the furniture into the desired location, do not drag. Attach the other end of the safety strap (V) to the wall using 1x screw (Y), 1x wall plug (X) and 1 x washer (Z). Tighten with a screwdriver. You're done, enjoy!