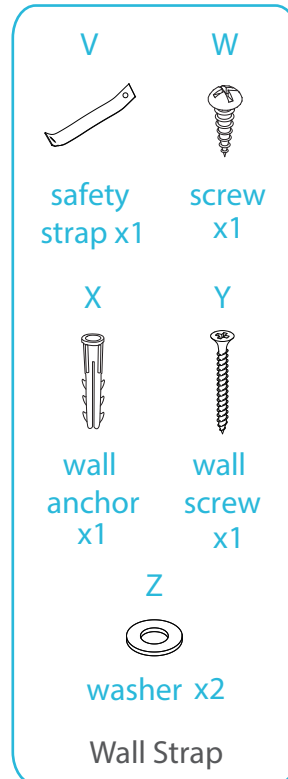
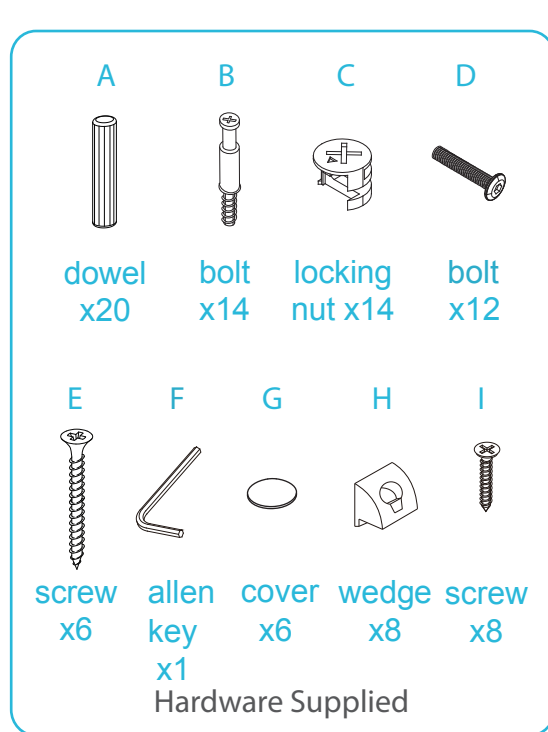


Vibe/Olsen Bookcase

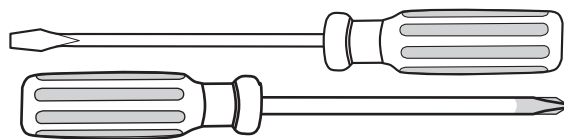
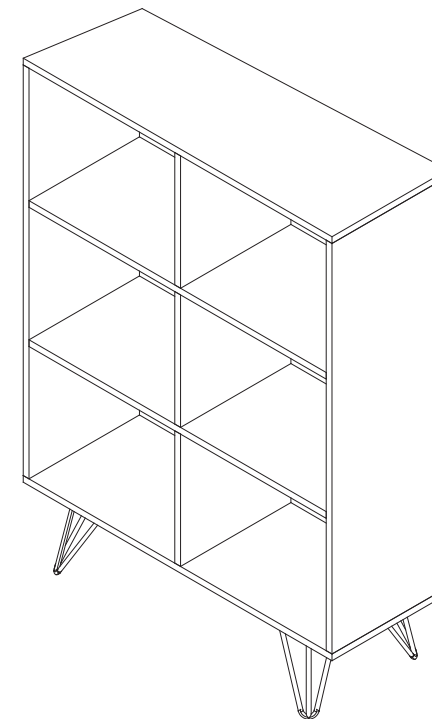
Assembly Instructions

mocka

Thank you for your purchase.
Please follow the instructions below for correct assembly.



WARNING: Any furniture that is not anchored to a wall has the potential to tip over in certain circumstances, i.e. if a child attempts to climb up on the furniture or in the event of an earthquake. Accordingly, we recommend that all furniture is anchored to a wall. We supply a free safety wall anchor with all furniture sold and we recommend these are used to prevent your product tipping. The fixing device provided should fit most wall types, but please note that different wall materials may require different fixing devices from those supplied.



Phillips & Flathead screwdrivers required
For quicker assembly, we recommend the use of a power drill on a low-speed setting.

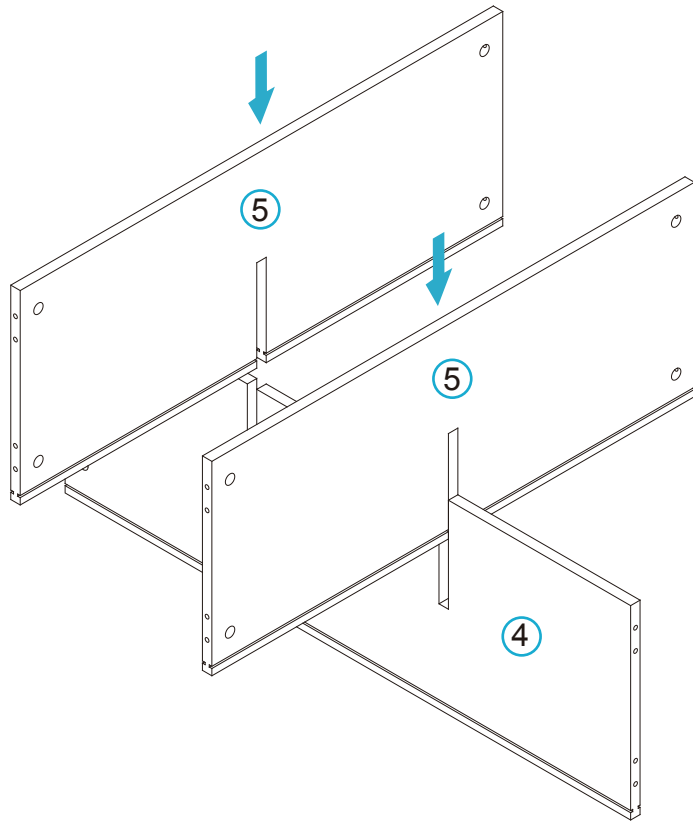
*We recommend using a Flathead screwdriver to tighten all locking nuts 100% before first use.
Please clear any loose wood from the locking nut holes before inserting the nut to ensure it locks 100%.

Vibe/Olsen Bookcase

Assembly Instructions

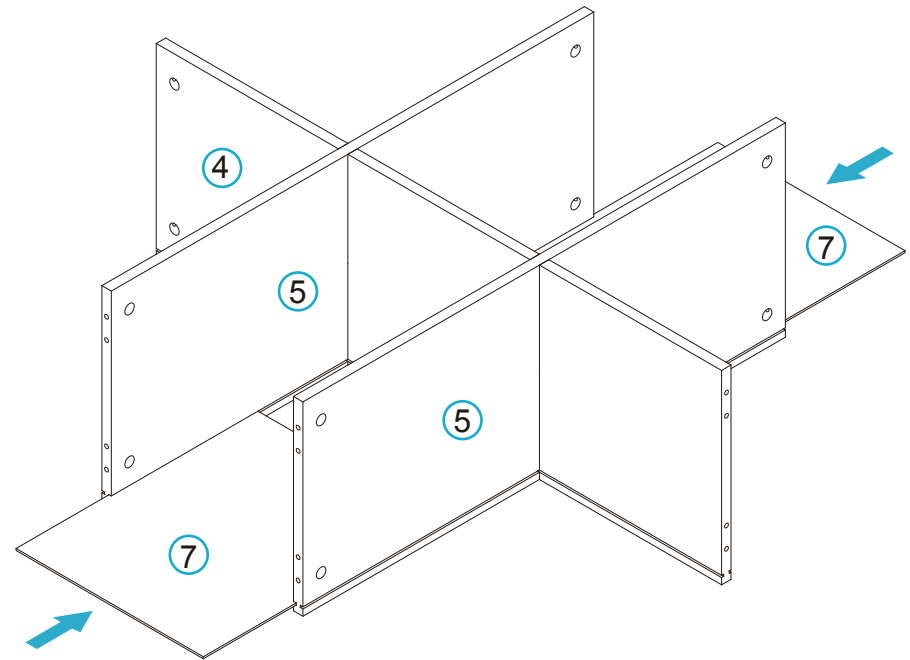
mocka

1



Attach panel [5] to panel [4].

2



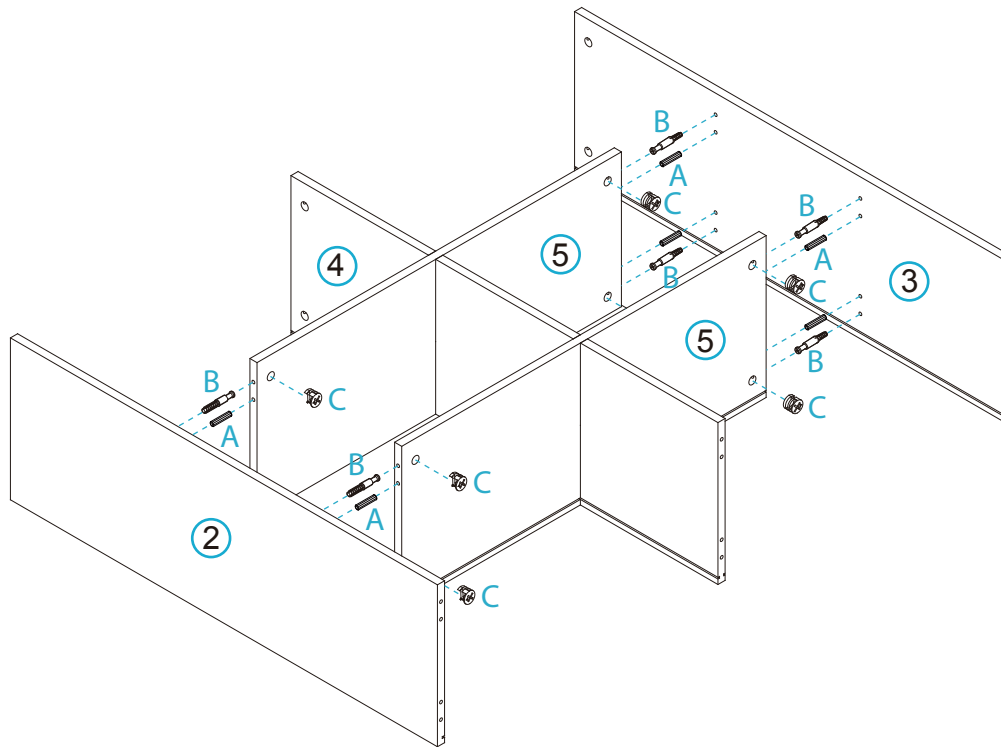
Slide 2x panels [7] along the grooves between panels [5] as shown.

Vibe/Olsen Bookcase

Assembly Instructions

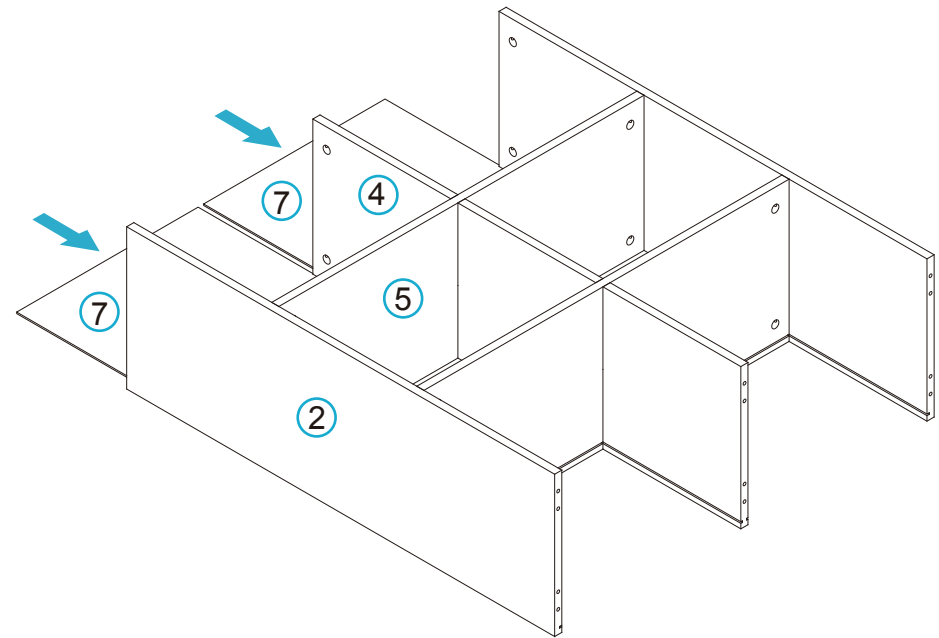
mocka

3



Attach panel [2] and panel [3] to the unit with 8x dowels (A) and 8x bolts (B), and secure with 8x locking nuts (C). Tighten with a screwdriver.

4



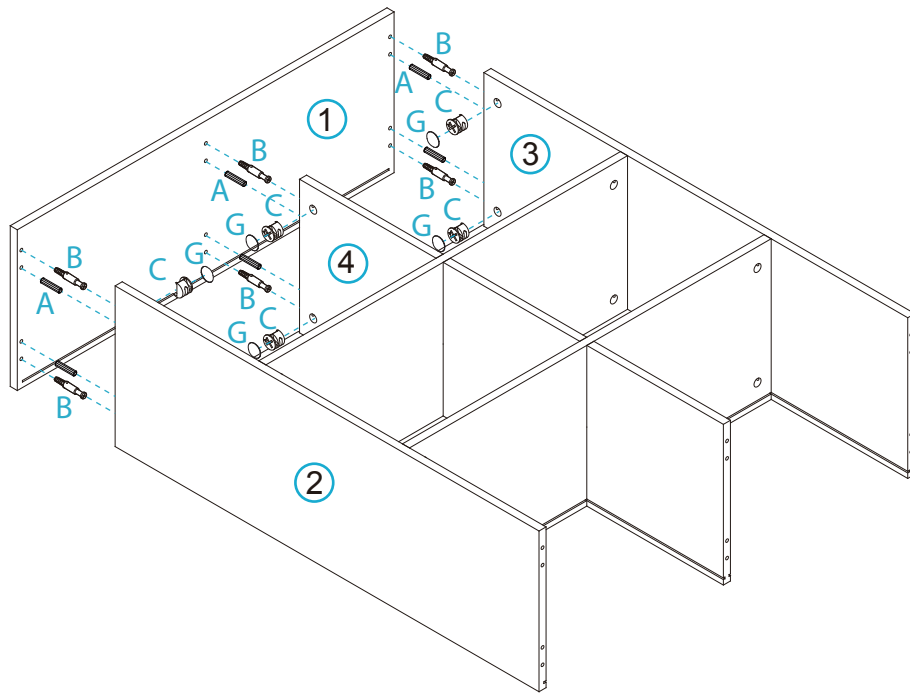
Slide 2x panels [7] along the grooves as shown.

Vibe/Olsen Bookcase

Assembly Instructions

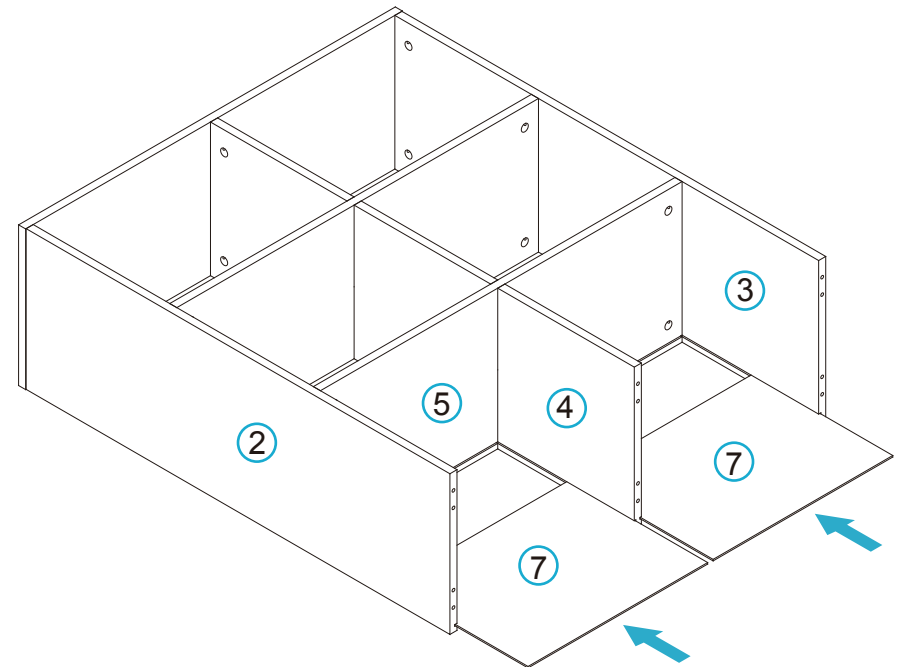
mocka

5



Attach the top panel [1] to the main unit with 6x dowels (A), 6x bolts (B) and secure with 6x locking nuts (C). Tighten with a screwdriver.
Seal the holes with 6x covers (G).

6



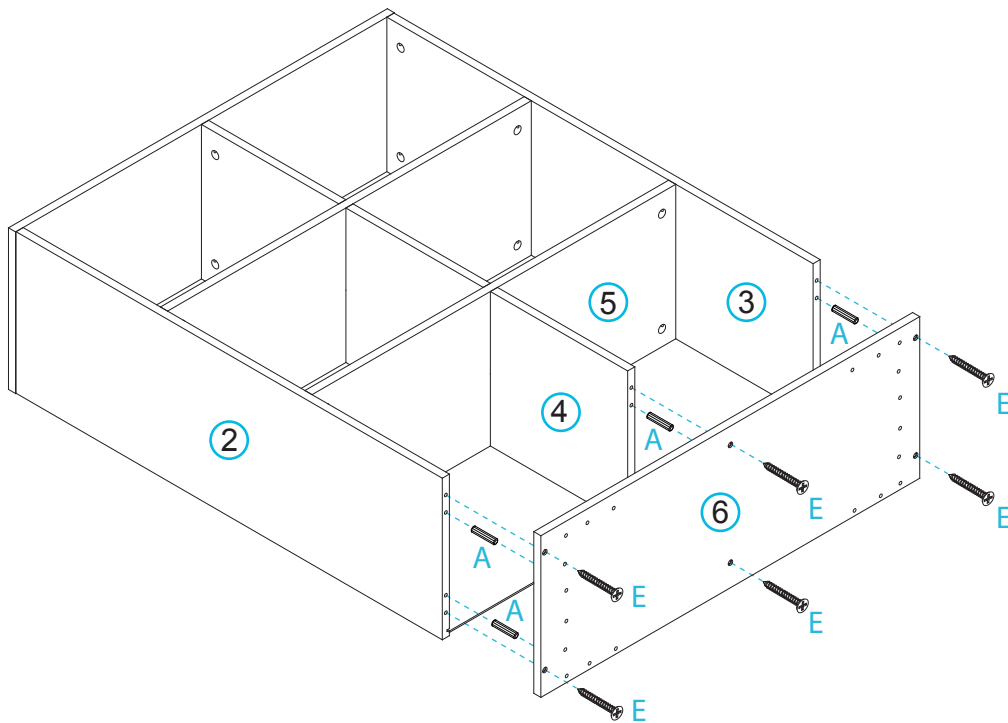
Slide 2x panels [7] along the grooves as shown.

Vibe/Olsen Bookcase

Assembly Instructions

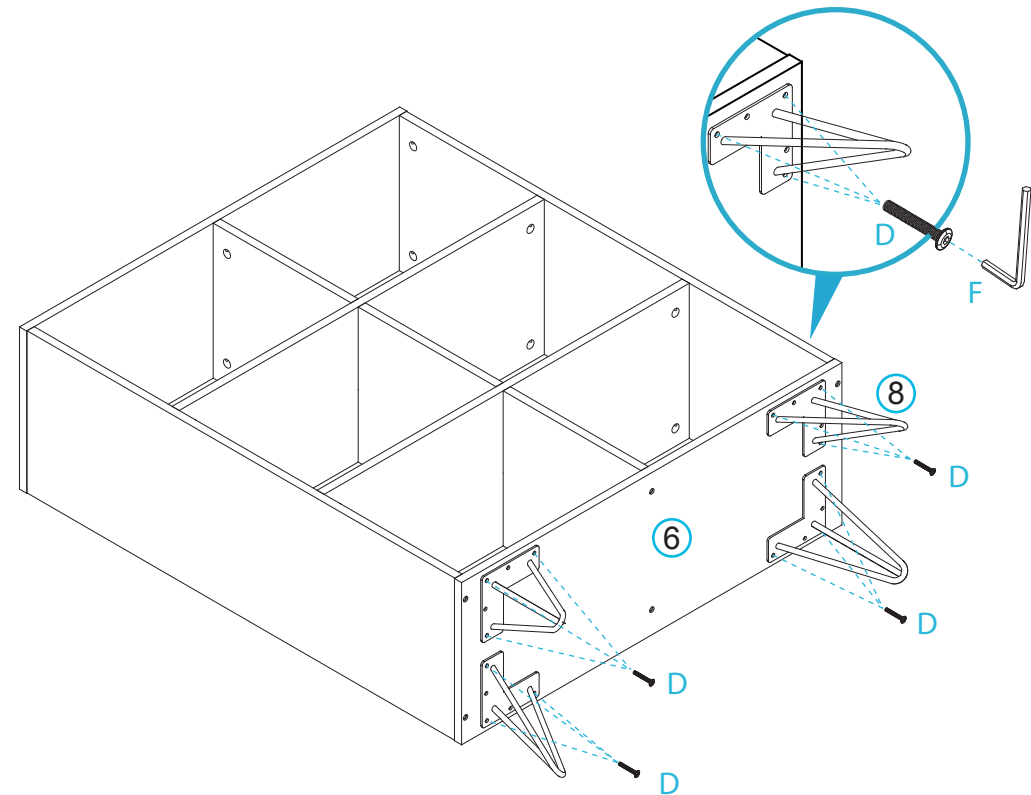
mocka

7



Attach the bottom panel [6] as shown using 6x dowels (A) and 6x long screws (E). Tighten with a screwdriver.

8



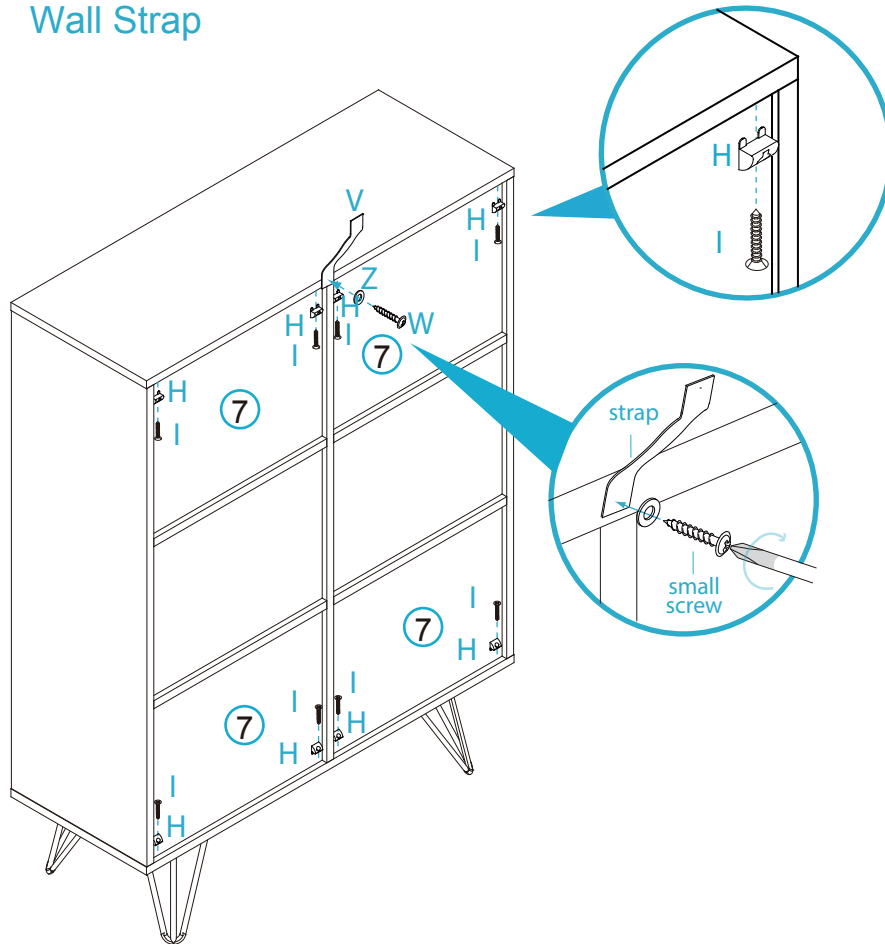
Attach 4x legs [8] to the bottom panel [6] with 12x bolts (D), and tighten with an Allen key (F).

Vibe/Olsen Bookcase

Assembly Instructions

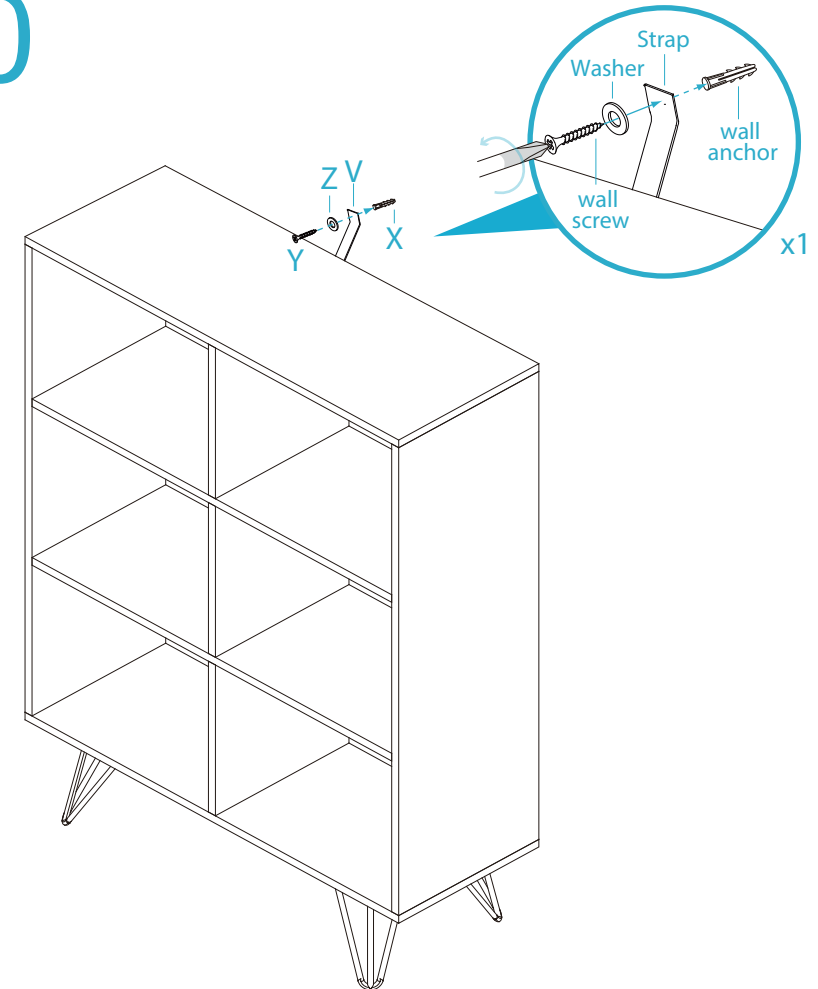
mocka

9 Wall Strap



Attach 8x wedges (H) to the corners of the 4x backs [7] as shown, and secure with 8x screws (I). Attach the safety strap (V) to the top of the back side of the unit using 1x washer (Z) and 1x screw (W). Tighten with a screwdriver.

10



Lift the furniture into the desired location, do not drag. Attach the other end of the safety strap (V) to the wall with 1x wall plug (X), 1x screw (Y) and 1 x washer (Z). Tighten with a screwdriver. You're done, enjoy!