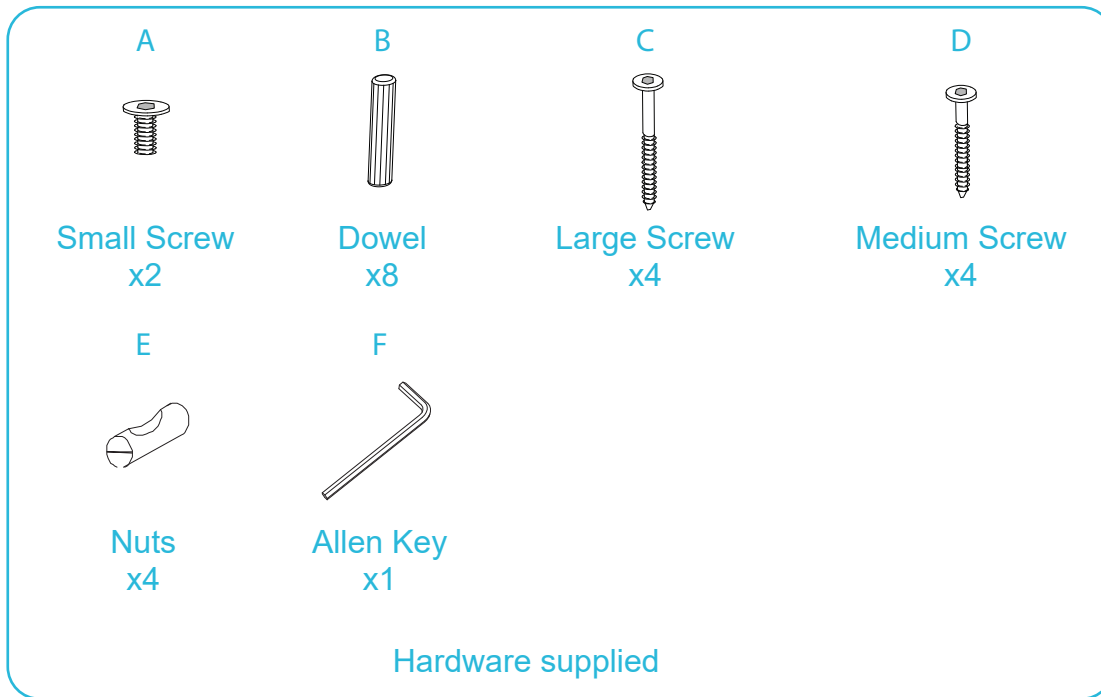


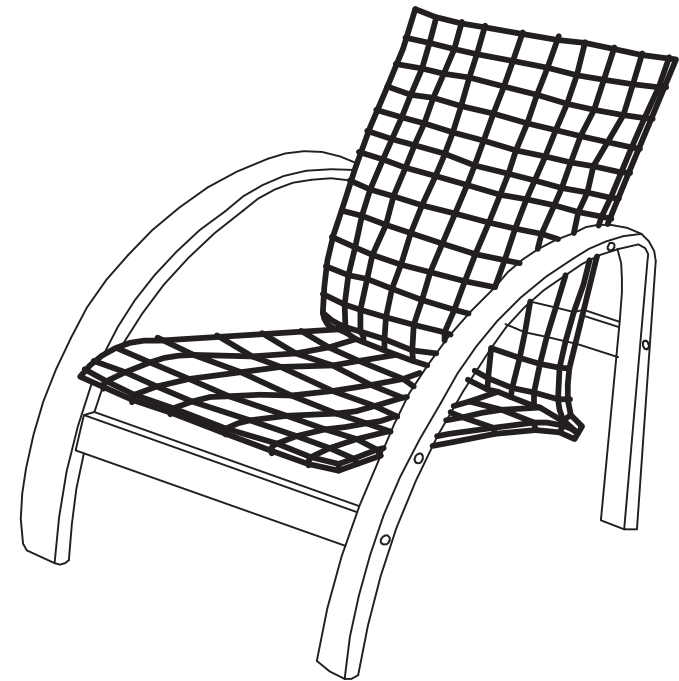
Otto Woven Chair

Assembly Instructions

Thank you for your purchase.
Please follow the instructions below for correct assembly.



mocka

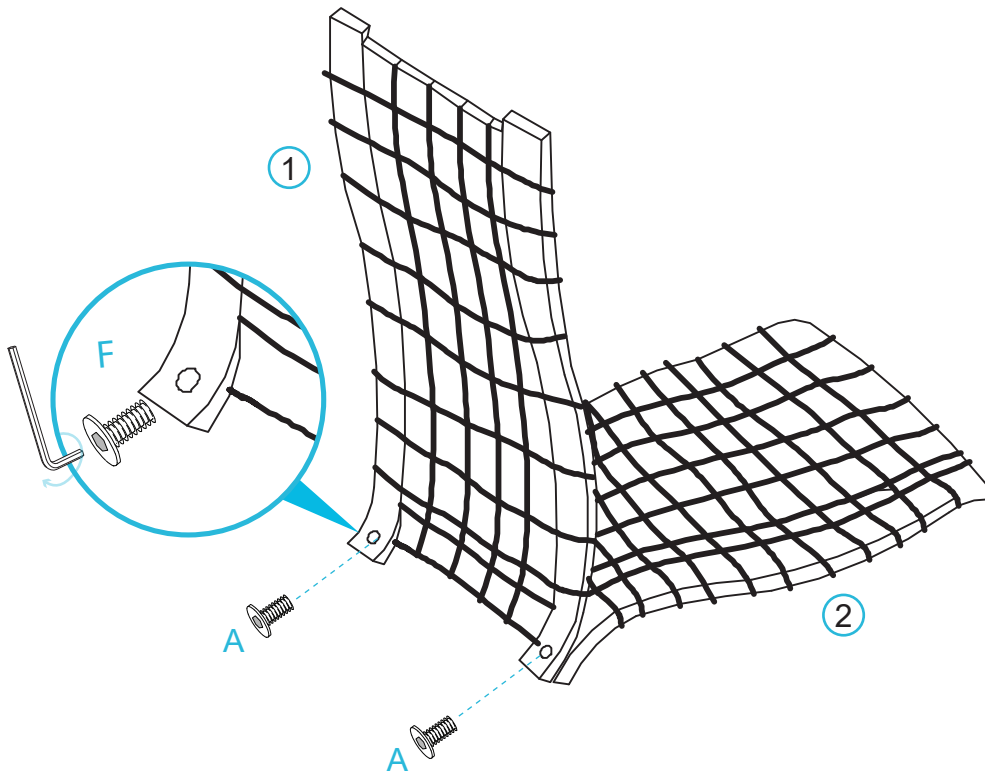


Otto Woven Chair

Assembly Instructions

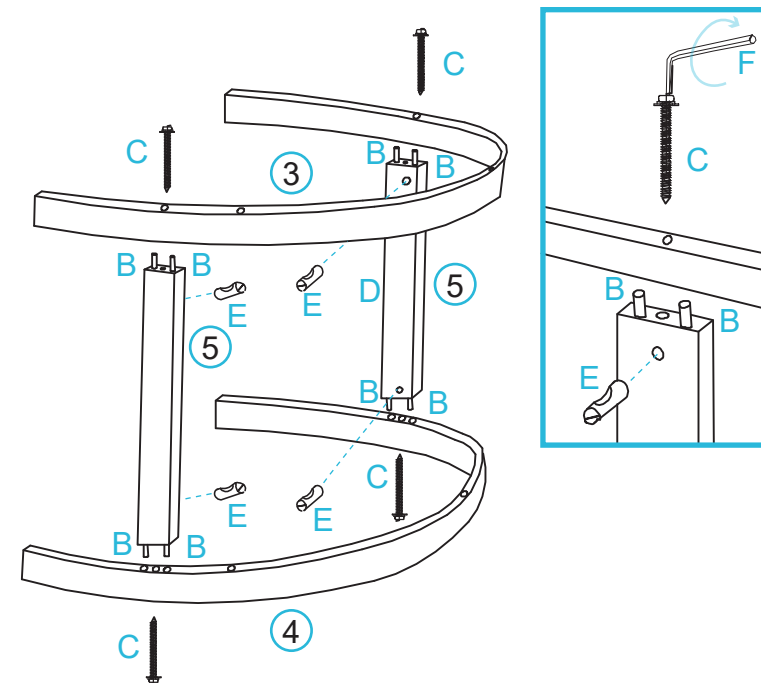
mocka

1



Attach backrest [1] and seat [2] and secure with 2 x Small Screws (A). Tighten with Allen Key (F).

2



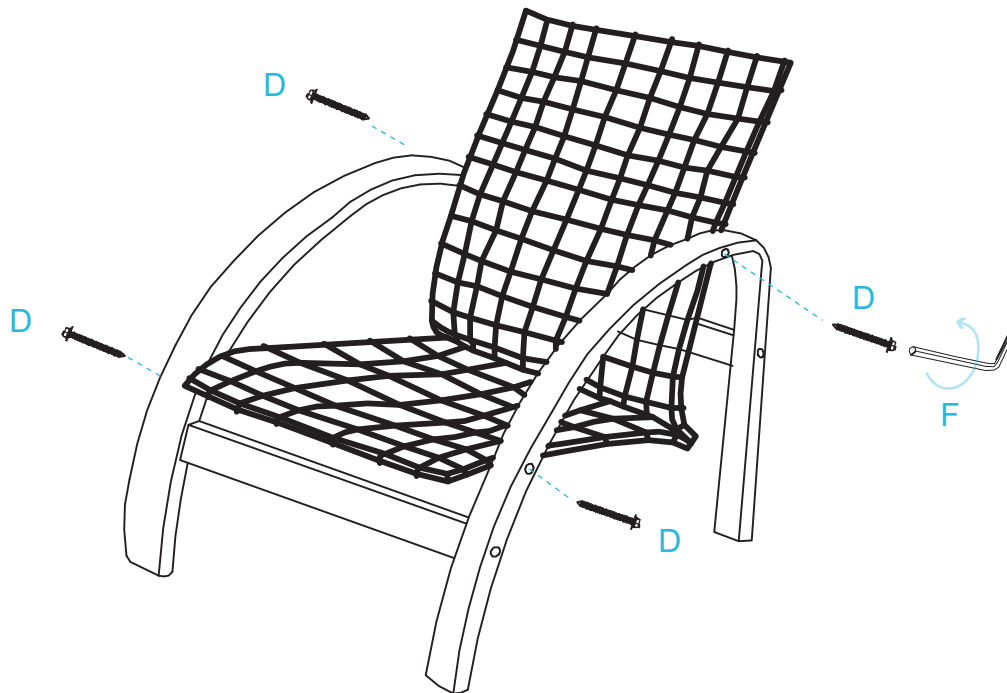
Insert 8 x Dowels (B) and 4 x Nuts (E) into support panels [5]. Attach supports [5] to Chair Legs [3] and [4] as shown and secure with 4 x Large Screws (C). Tighten with Allen Key (F).

Otto Woven Chair

Assembly Instructions

mocka

3



Position the chair body between the chair legs. Attach the chair body to the chair legs as shown, using 4 x Medium Screws (D). Tighten with Allen Key (F). You're done, enjoy!