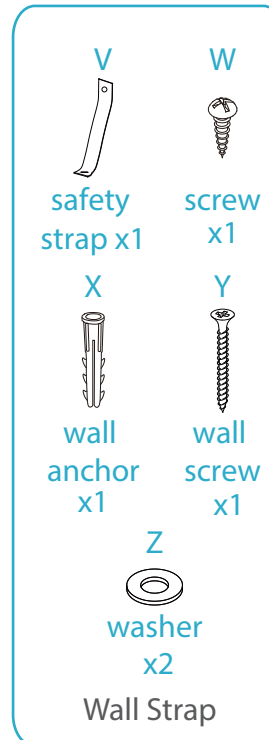
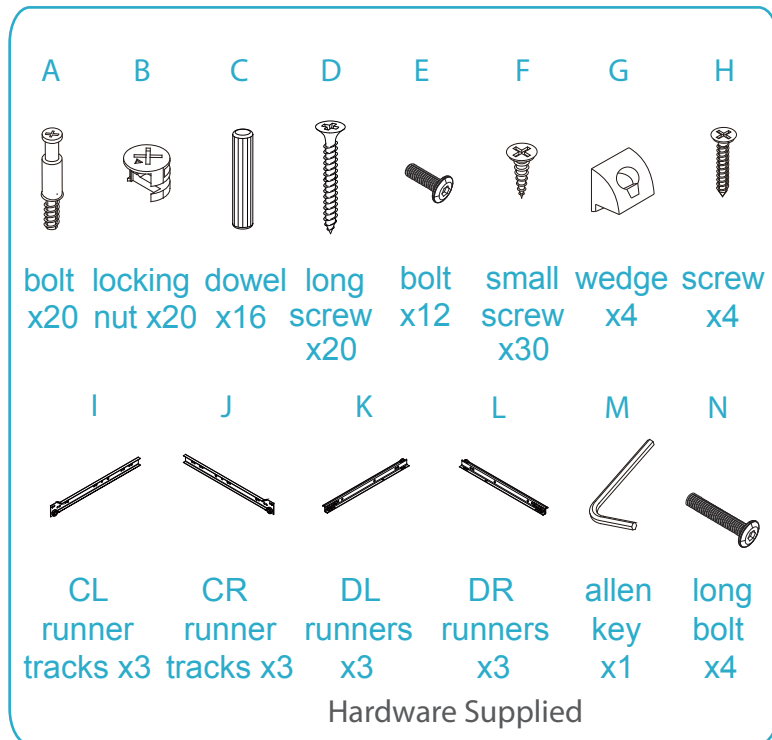


Vibe/Olsen Desk

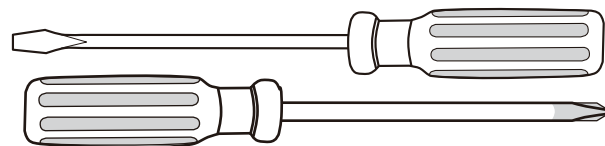
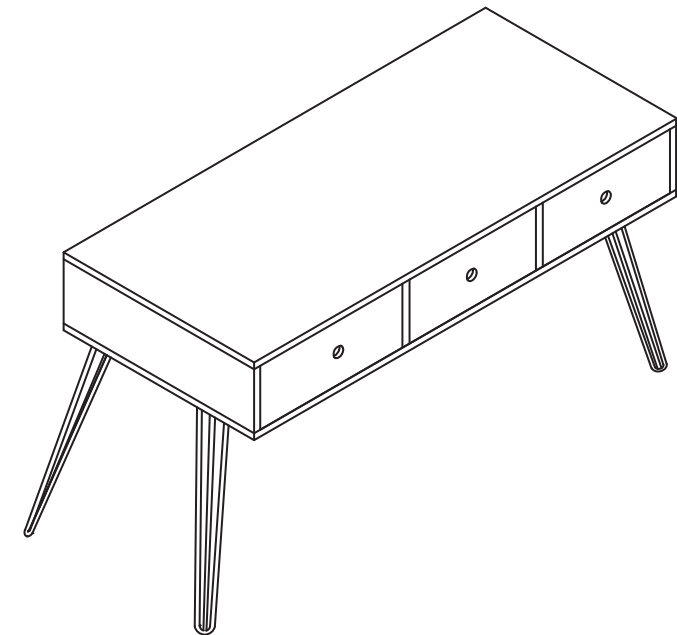
Assembly Instructions

Thank you for your purchase.
Please follow the instructions below for correct assembly.

mocka



WARNING: Any furniture that is not anchored to a wall has the potential to tip over in certain circumstances, i.e. if a child attempts to climb up on the furniture or in the event of an earthquake. Accordingly, we recommend that all furniture is anchored to a wall. We supply a free safety wall anchor with all furniture sold and we recommend these are used to prevent your product tipping. The fixing device provided should fit most wall types, but please note that different wall materials may require different fixing devices from those supplied.



Phillips & Flathead screwdrivers required
For quicker assembly, we recommend the use of a power drill on a low-speed setting.

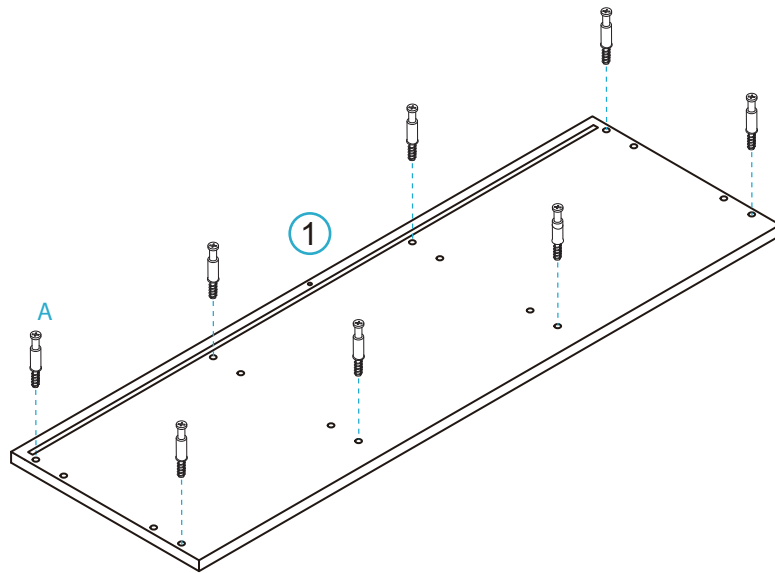
*We recommend using a Flathead screwdriver to tighten all locking nuts 100% before first use.
Please clear any loose wood from the locking nut holes before inserting the nut to ensure it locks 100%.

Vibe/Olsen Desk

Assembly Instructions

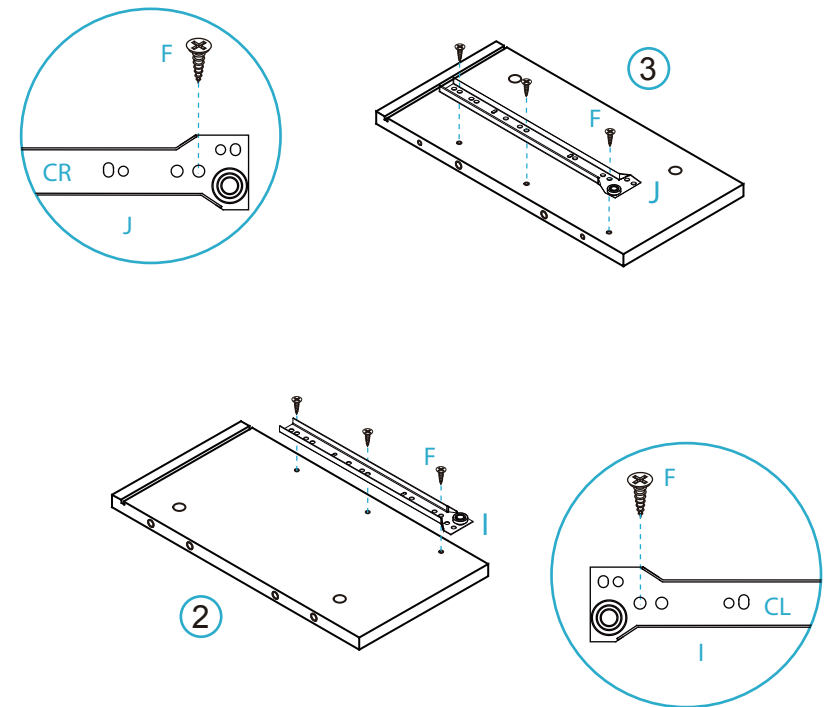
mocka

1



Insert 8x bolts (A) into panel [1]. Tighten with a screwdriver.

2



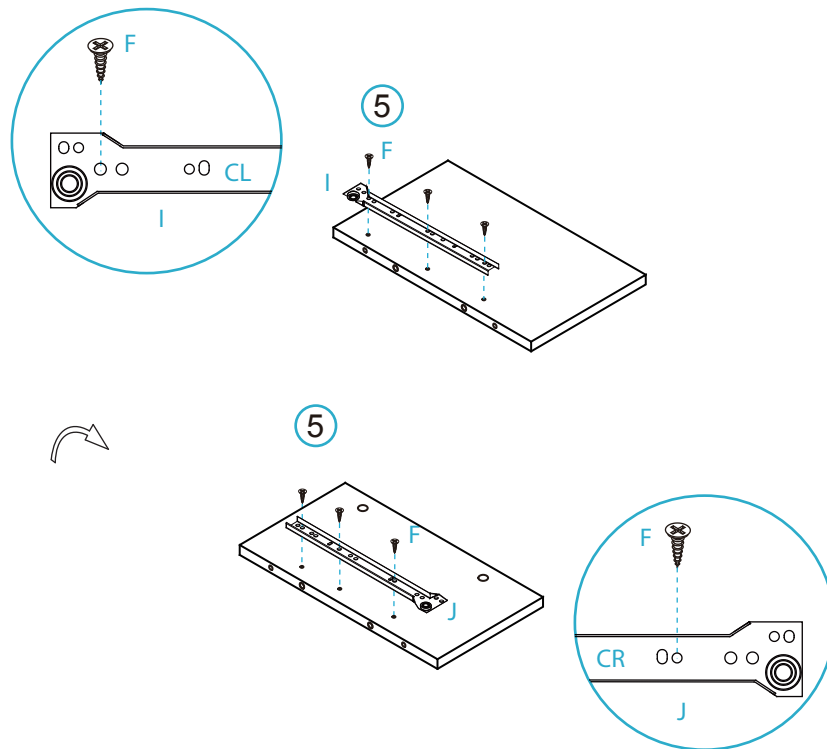
Attach 1x CL runner track (I) to panel [2] and secure with 3x small screws (F). Attach 1x CR runner track (J) to panel [3] and secure with 3x small screws (F). Tighten with a screwdriver.

Vibe/Olsen Desk

Assembly Instructions

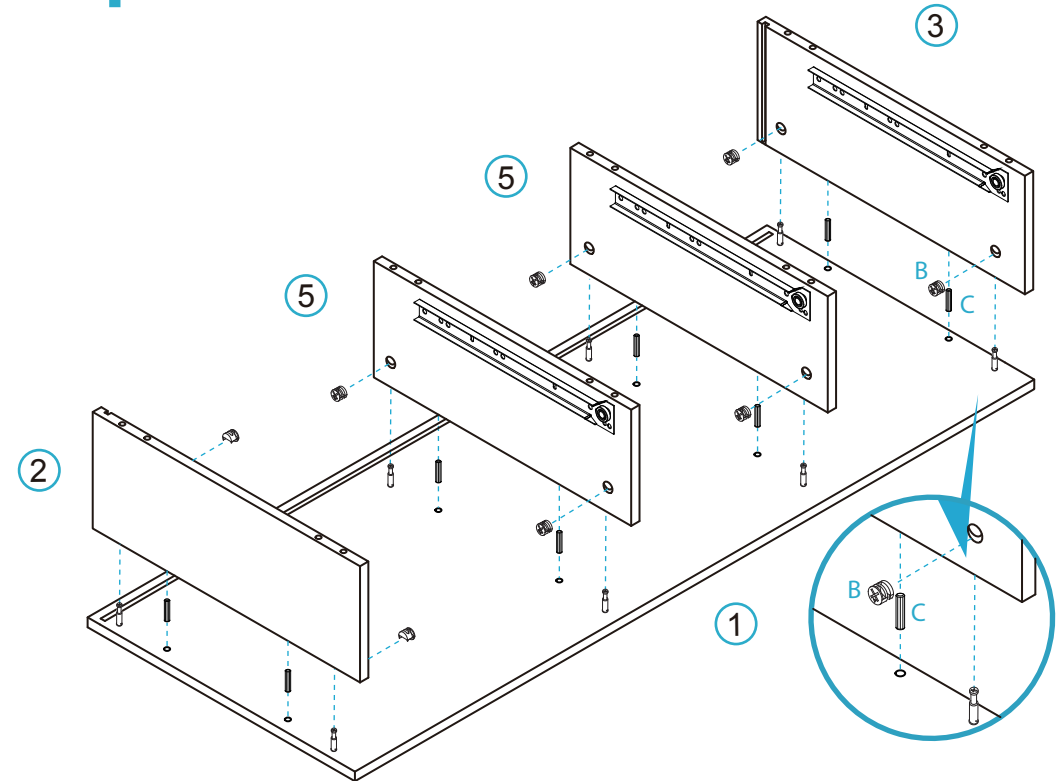
mocka

3 x2



Attach 1x CL runner tracks (I) to each panel [5] and secure with 3x small screws (F). Flip panels [5] over, attach 1x CR runner tracks (J) to each panel [5], and secure with 3x small screws (F). Tighten with a screwdriver.

4



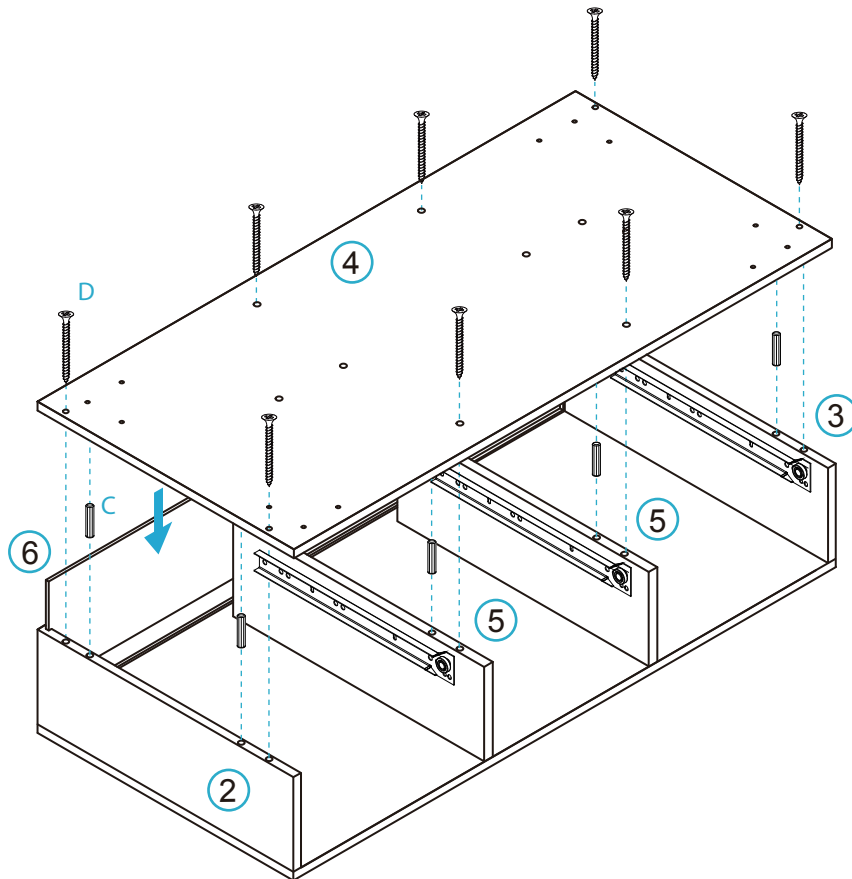
Attach panels [2,3,5] to panel [1] and with 8x dowels (C) and secure with 8x locking nuts (B) and tighten with a screwdriver.

Vibe/Olsen Desk

Assembly Instructions

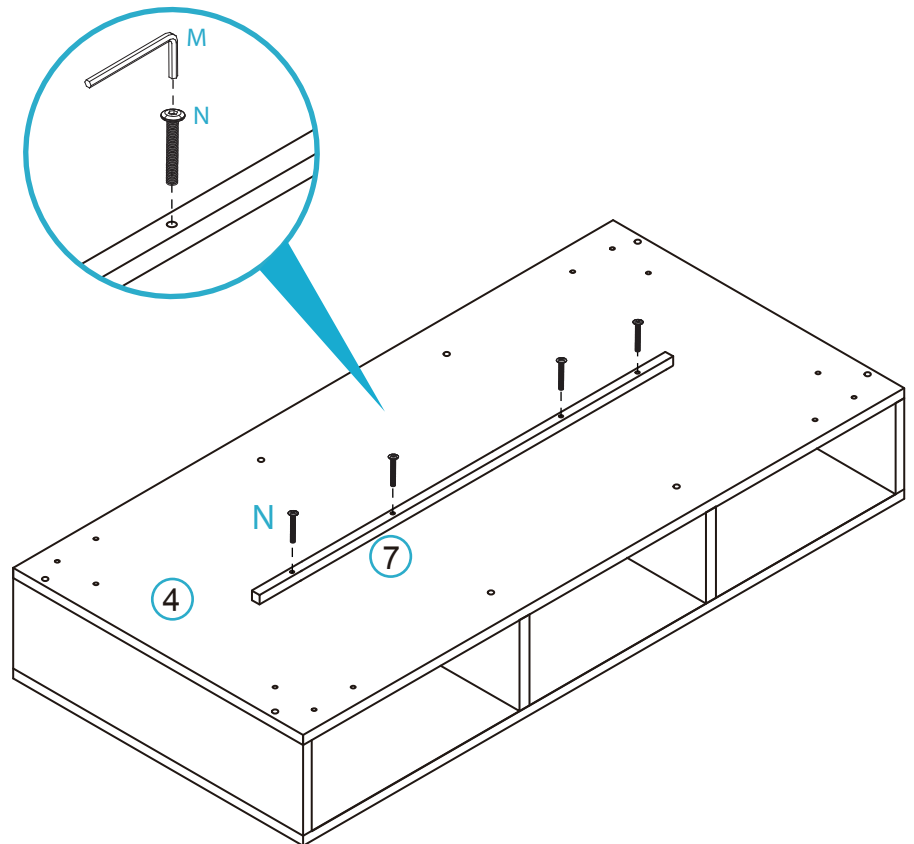
mocka

5



Slide panel [6] between the grooves of panels [2] and [3]. Attach the bottom panel [4] to the unit with 8x dowels (C) and secure with 8x long screws (D). Tighten with a screwdriver.

6



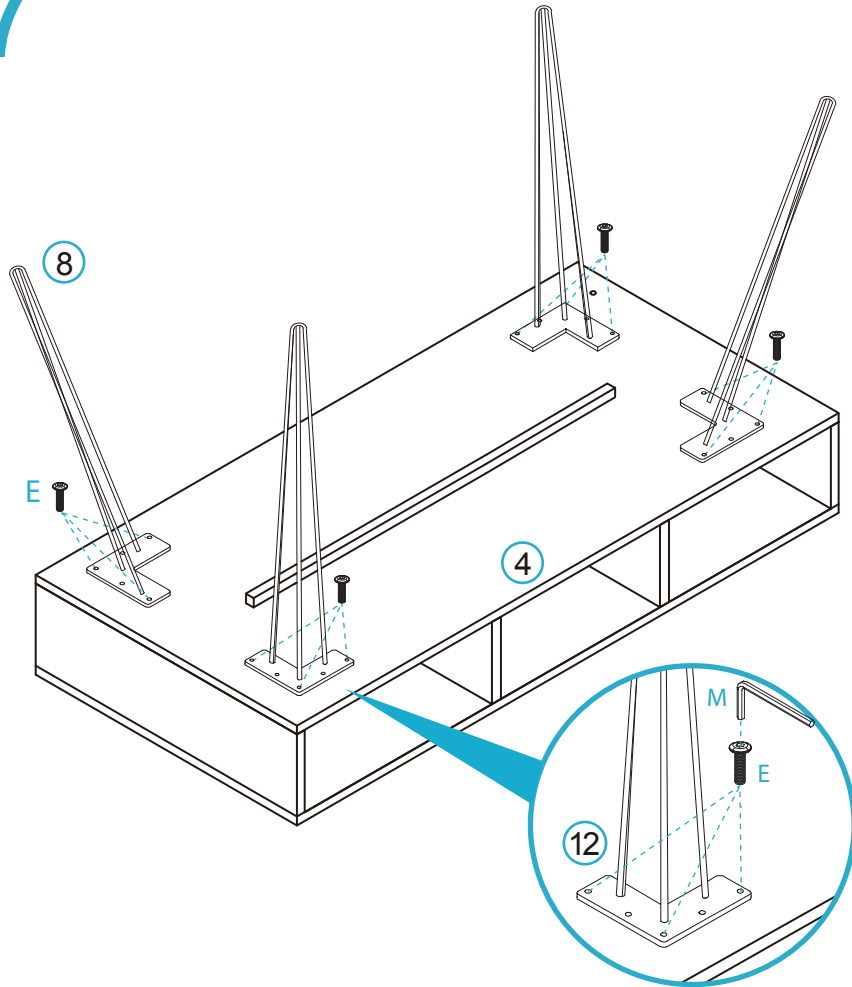
Attach rail [7] to bottom panel [4] secure with 4 x long bolts (N). Tighten with an Allen key (M).

Vibe/Olsen Desk

Assembly Instructions

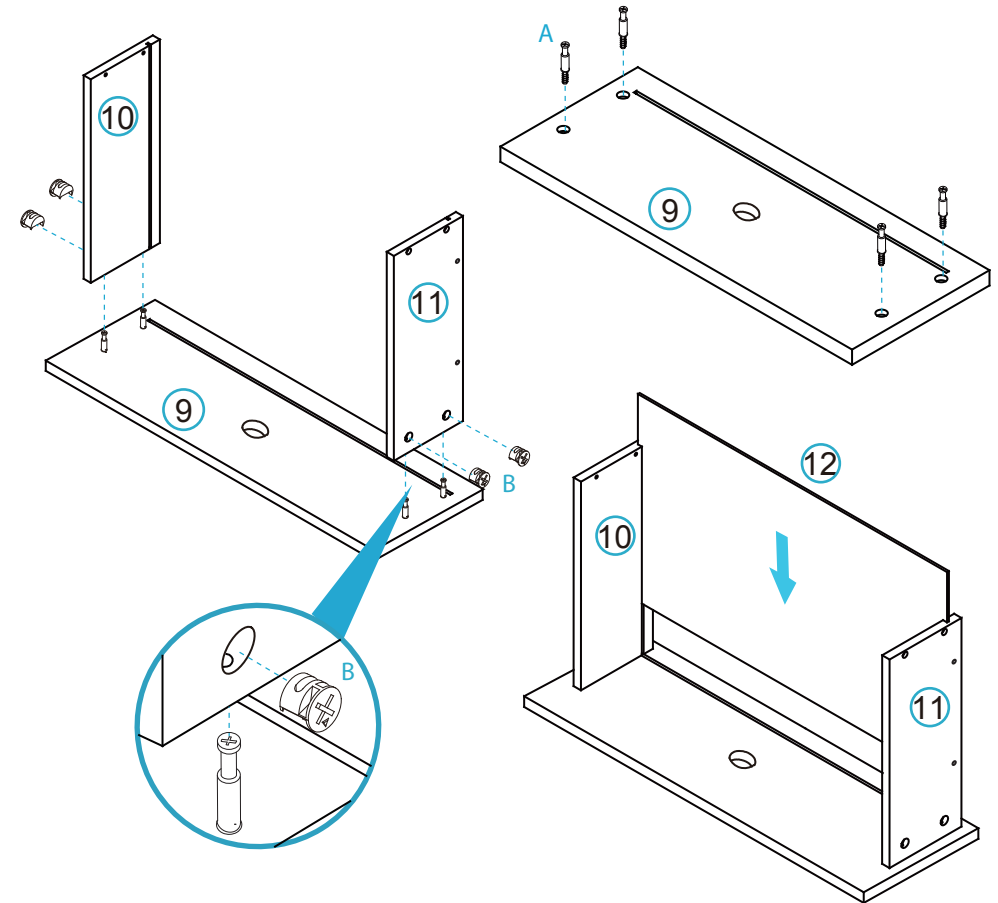
mocka

7



Attach 4x legs [8] to the bottom panel [4] with 12x bolts (E). Tighten with an Allen key (M).

8 Drawers x3



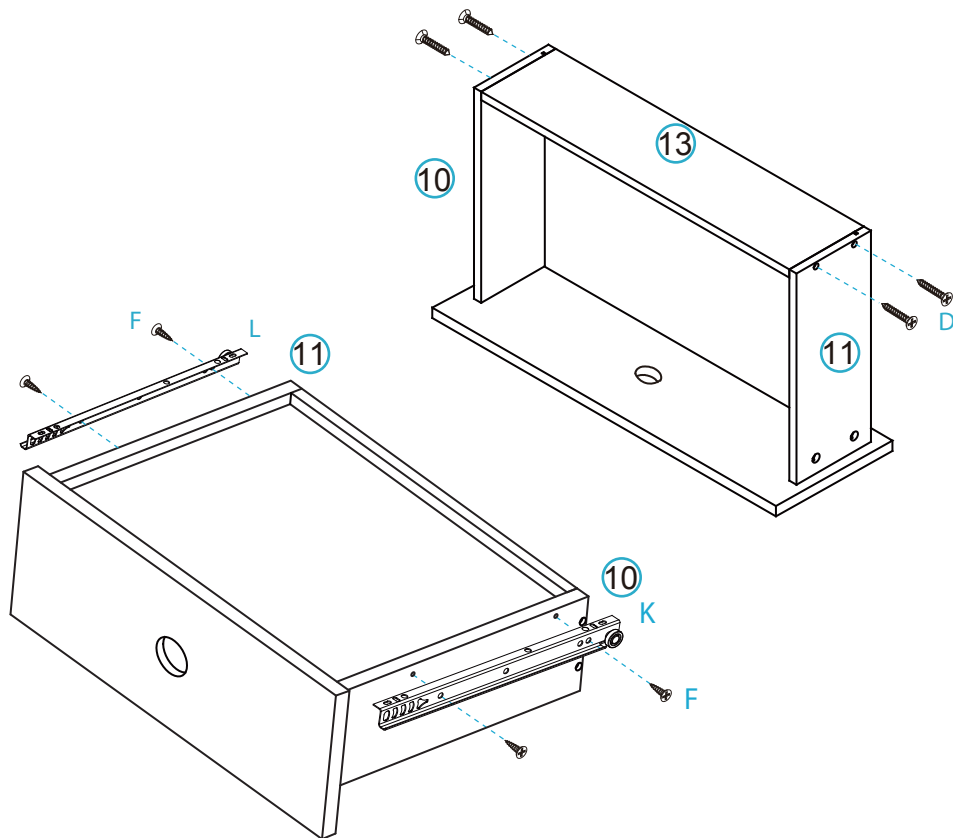
Insert 4x bolts (A) into panel [9] and tighten with a screwdriver. Attach panels [10] and [11] to panel [9] with 4x locking nuts (B). Tighten with a screwdriver. Slide panel [12] down along the grooves between the side panels [10] and [11] to form the base of the drawer.

Vibe/Olsen Desk

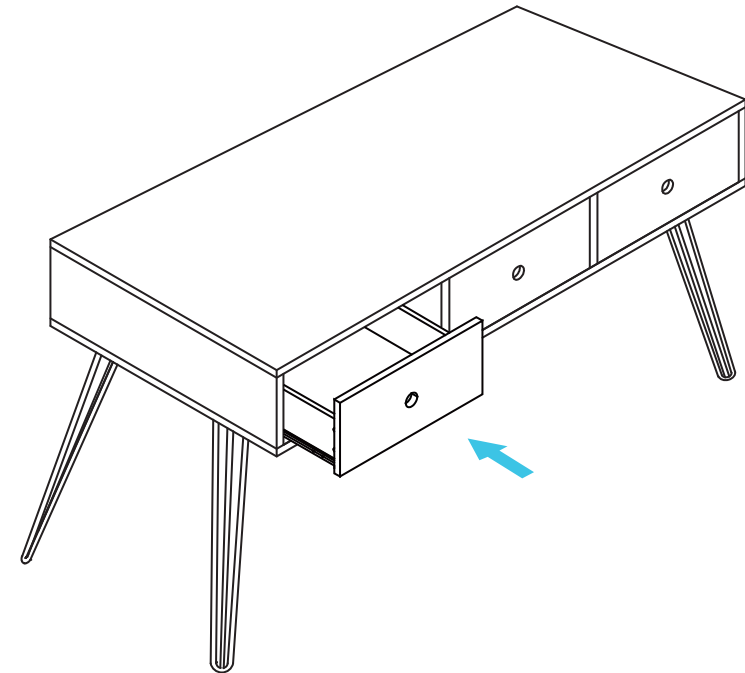
Assembly Instructions

mocka

9 Drawers x3



10



Attach panels [10], [11] and [13] with 4x long screws (D). Tighten with a screwdriver. Attach DL runner (K) to panel [10] and DR runner (L) to panel [11] with 4x small screws (F). Tighten with a screwdriver. Complete the other two drawers.

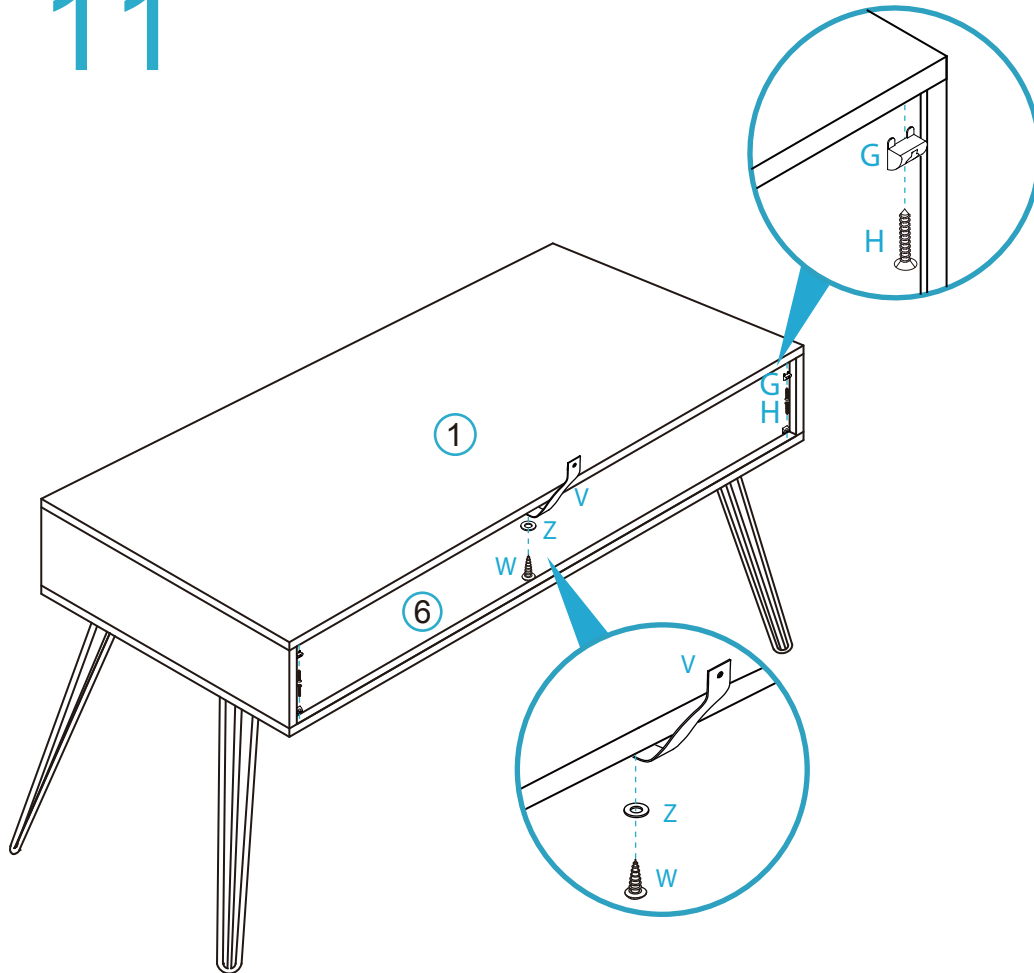
Insert the completed drawer into the main unit as shown, ensuring they slide easily along the rails.

Vibe/Olsen Desk

Assembly Instructions

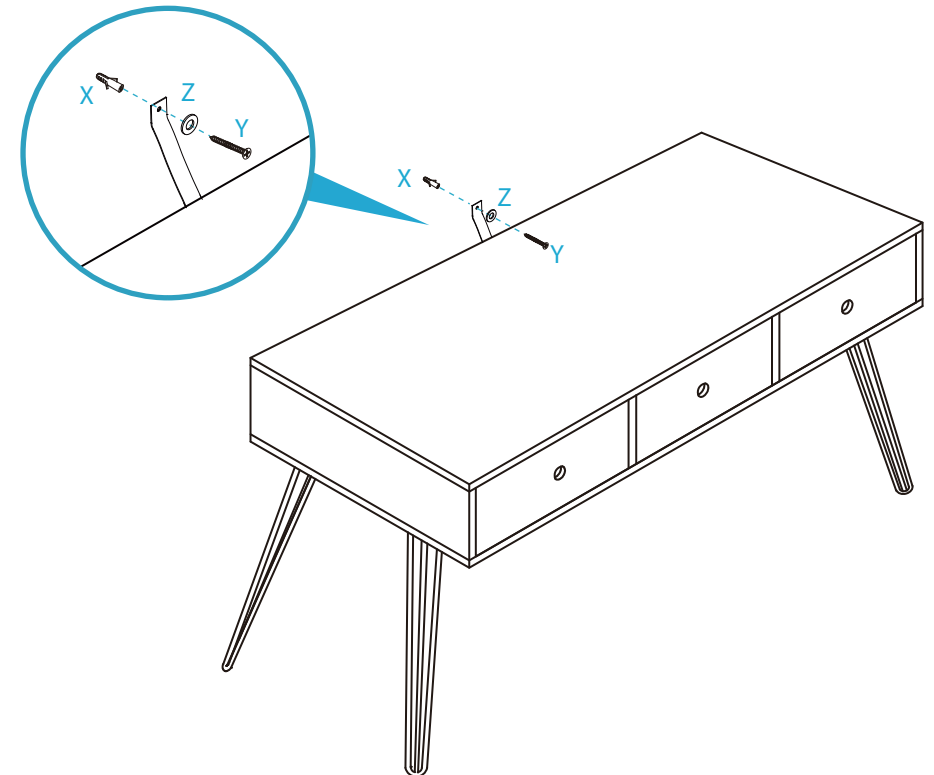
mocka

11



Attach 4x wedges (G) to the corners of the back [6] as shown, and secure with 4x screws (H). Attach 1x safety strap (V) to the top of the back side of the unit as shown using 1x washer (Z) and 1x screw (W). Tighten with a screwdriver.

12



Once assembled lift furniture into place, do not drag. Use a drill to create a small hole lining up with the top of the safety strap (V). Fasten to the wall using 1x washer (Z), 1x wall plug (X) and 1x screw (Y). Ensure unit is balanced and steady before use. You're done, enjoy!