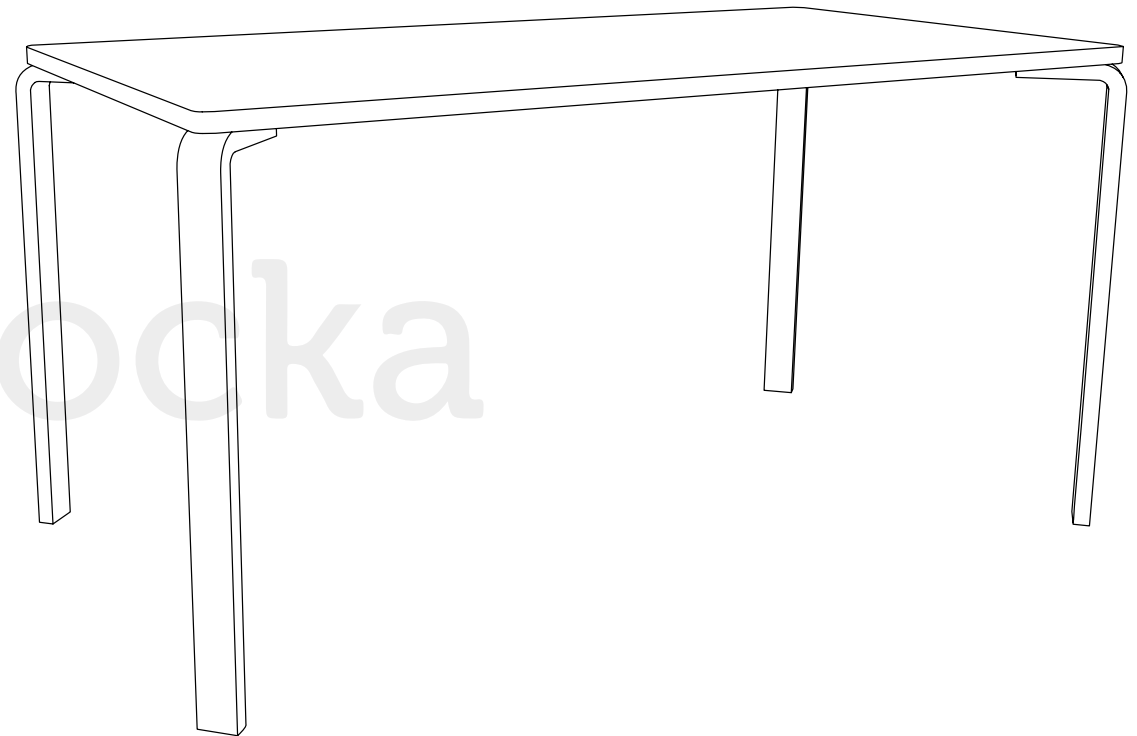
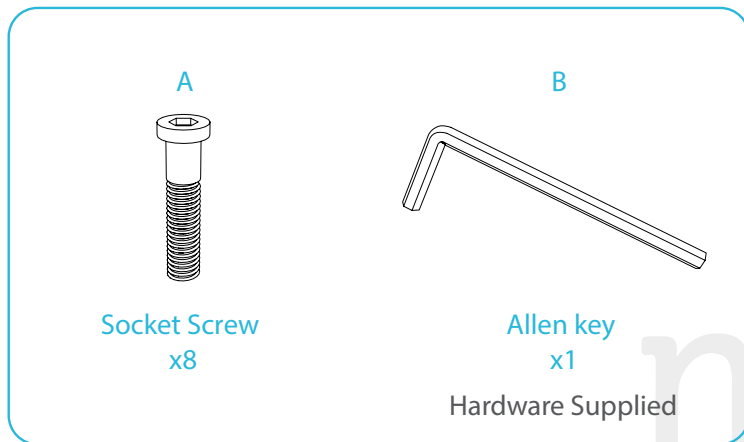


# Hudson Mini Table

## ASSEMBLY INSTRUCTIONS

mocka

Thank you for purchasing this Mocka Kit.  
Please follow the instructions below for correct assembly.



Once fully assembled please ensure all legs are sitting flush against the table underside to ensure stability. Do not over-tighten screws.

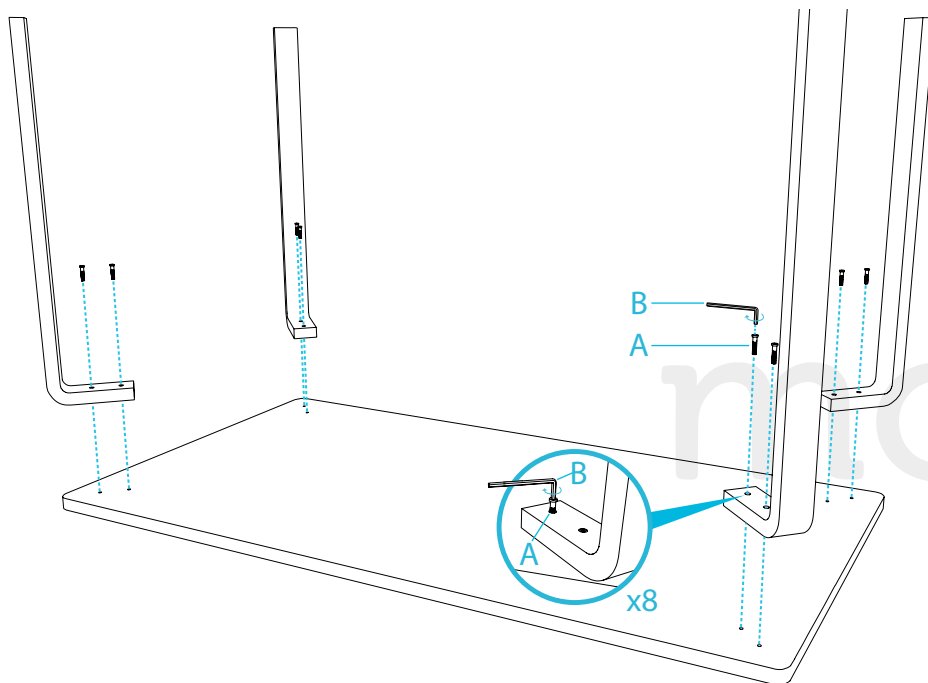
To ensure longevity of the wood please use a damp cloth only for cleaning. Avoid use of household cleaners.

# Hudson Mini Table

## ASSEMBLY INSTRUCTIONS

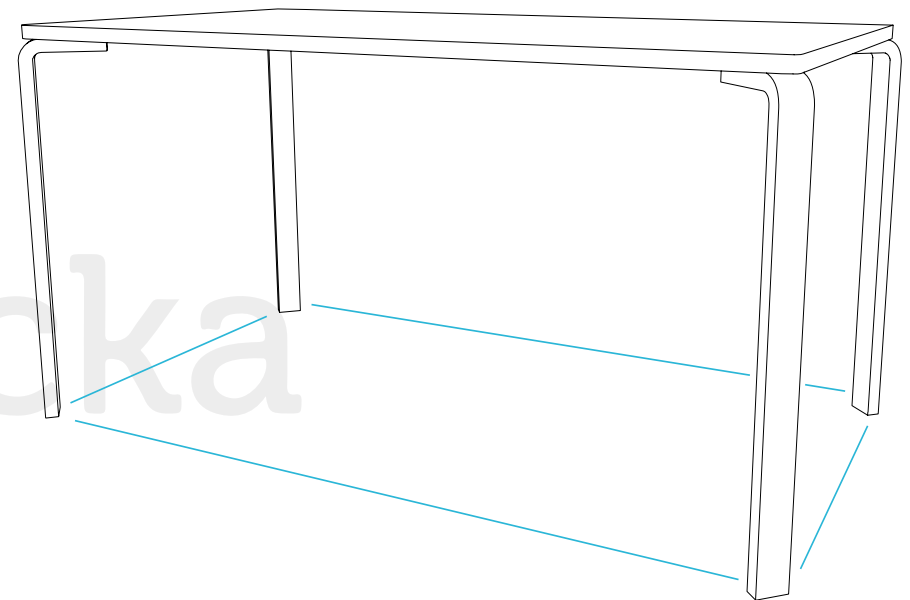
mocka

1



Find all four table legs and position them on the underside of the table top. Using the 8x screws (A) and the allen key (B) attach each leg to the table top.

2



Fasten all screws and ensure all legs are sitting flush with the table underside to ensure stability. Flip table over and it is ready for use.

All done! Regularly check all screws are secure but not overly tightened. Enjoy!