
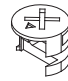

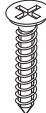

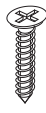


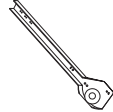

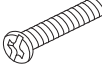



# Jimmy Console

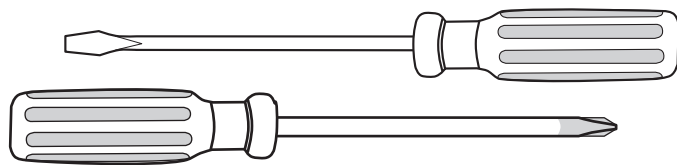
## Assembly Instructions

Thank you for your purchase.  
Please follow the instructions below for correct assembly.

# mocka

<b>A</b>  bolt x32	<b>B</b>  locking nut x32	<b>C</b>  dowel x8	<b>D</b>  screw x4	<b>E</b>  screw x8	<b>F</b>  screw x4
<b>G</b>  bolt x4	<b>H</b>  nut x4	<b>I</b>  slide rail x2	<b>J</b>  slide rail x2	<b>K</b>  bolt x8	<b>L</b>  washer x8

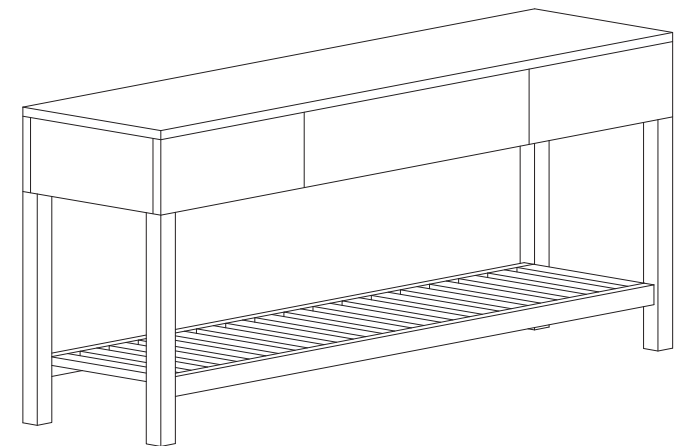
Hardware Supplied



Phillips & Flathead screwdrivers required

<b>W</b>  safety strap x2	<b>Wall Strap</b>  wall strap screw x2
<b>X</b>  wall anchor x2	<b>Y</b>  r/washer screw x2
<b>Z</b>  washer x2	

**WARNING:** Any furniture that is not anchored to a wall has the potential to tip over in certain circumstances, i.e. if a child attempts to climb up on the furniture or in the event of an earthquake. Accordingly, we recommend that all furniture is anchored to a wall. We supply a free safety wall anchor with all furniture sold and we recommend these are used to prevent your product tipping. The fixing device provided should fit most wall types, but please note that different wall materials may require different fixing devices from those supplied.



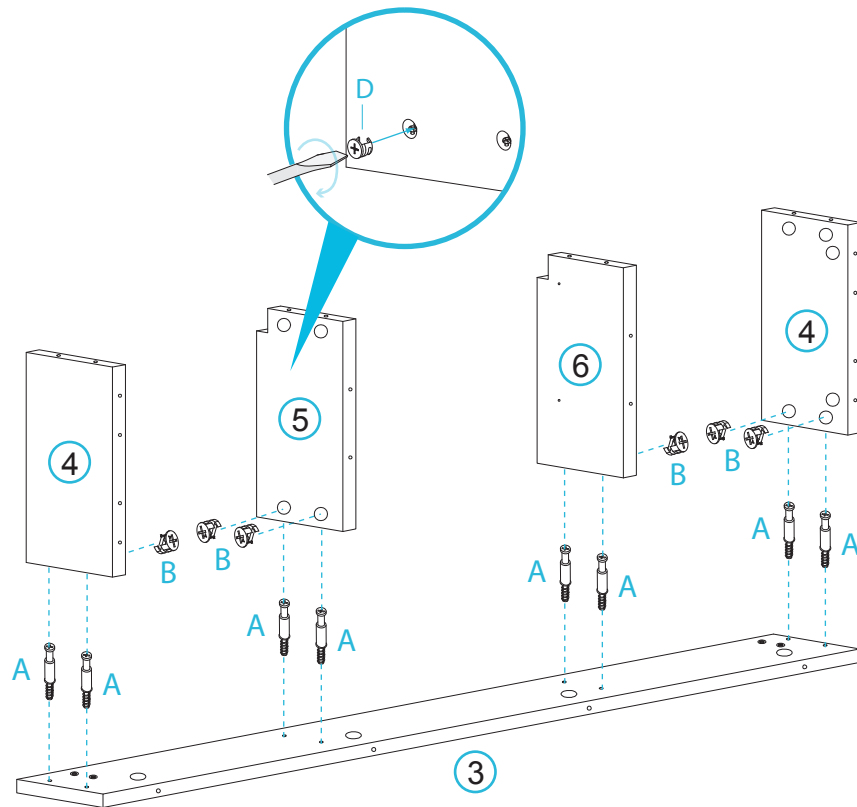
\*We recommend using a Flathead screwdriver to tighten all locking nuts 100% before first use.  
Please clear any loose wood from the locking nut holes before inserting the nut to ensure it locks 100%.

# Jimmy Console

## Assembly Instructions

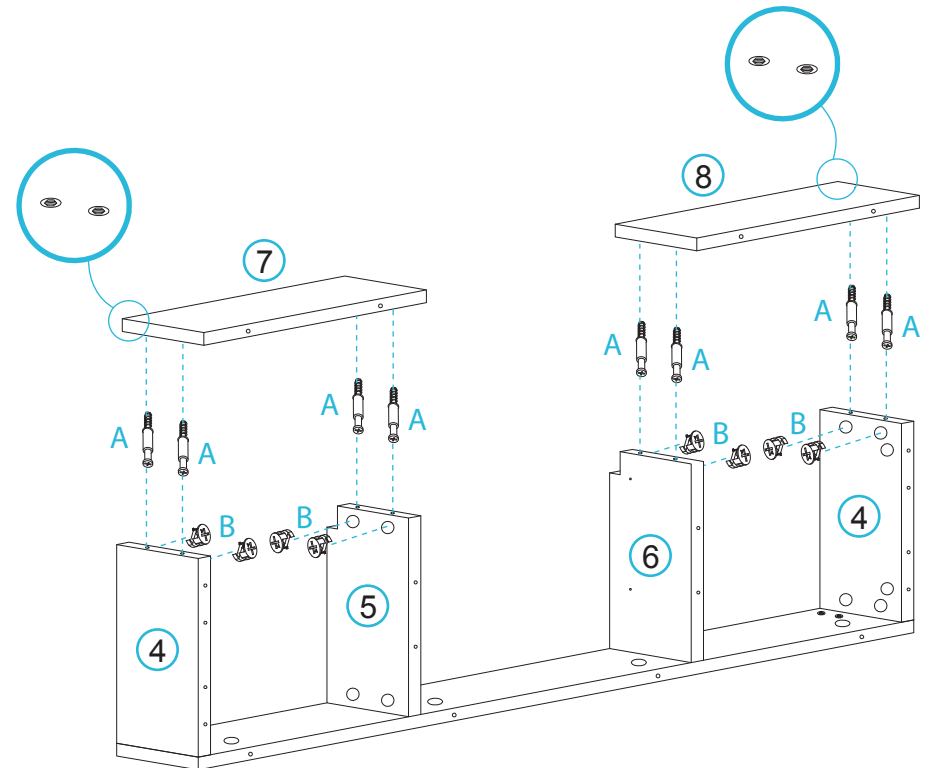
mocka

1



Attach panels [4], [5] and [6] to panel [3] using 8x bolts (A) and secure with 8x locking nuts (B). Tighten using a flathead screwdriver.

2



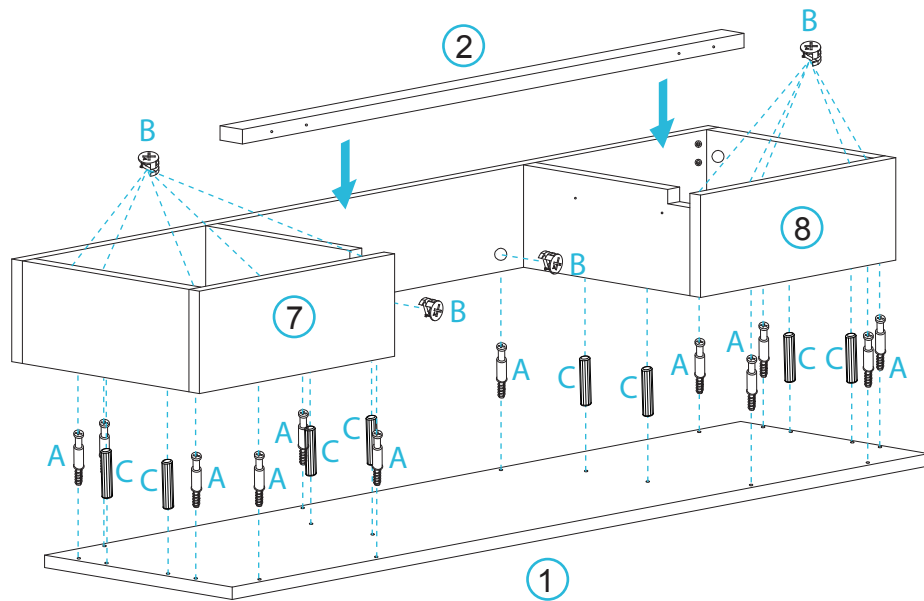
Attach panel [7] to panels [4] and [5] and attach panel [8] to panels [6] and [4] using 8x bolts (A) and 8x locking nuts (B). Ensure the two holes shown are on the underside of panels [7] and [8] and are on at the top left and top right hand corners when putting the panels on.

# Jimmy Console

## Assembly Instructions

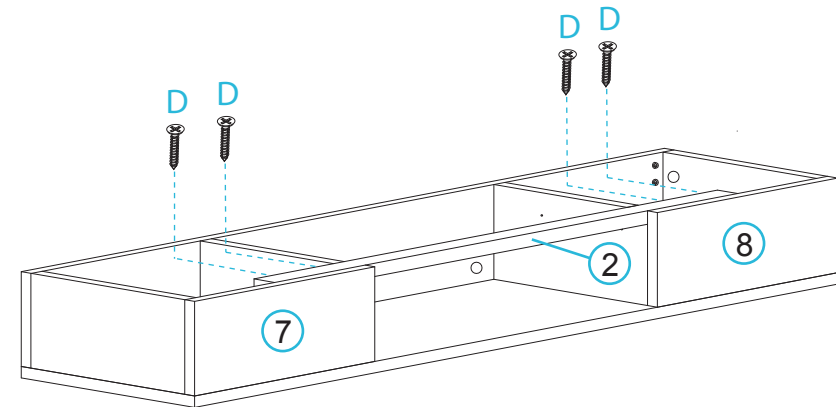
mocka

3



Attach panel [1] to the rest of the unit as shown using 12x bolts (A) and 8x dowels (C). Secure the bolts using 12x locking nuts (B) and tighten with a flathead screwdriver. Slot panel [2] between panels [7] and [8] as shown.

4



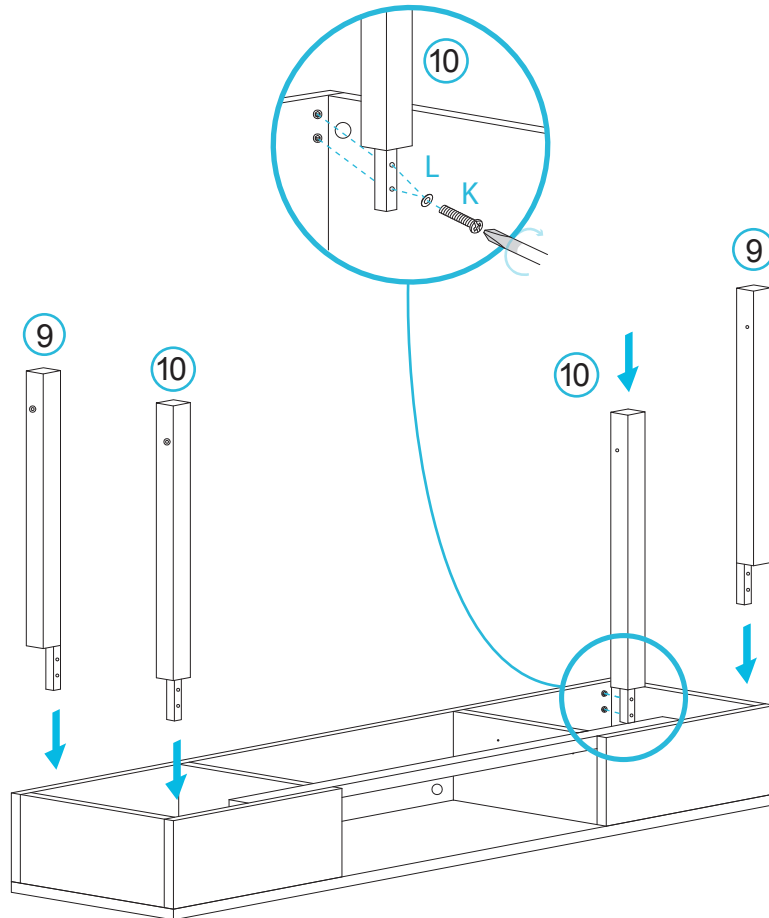
Secure panel [2] using 4x screws (D) and tighten with a screwdriver.

# Jimmy Console

## Assembly Instructions

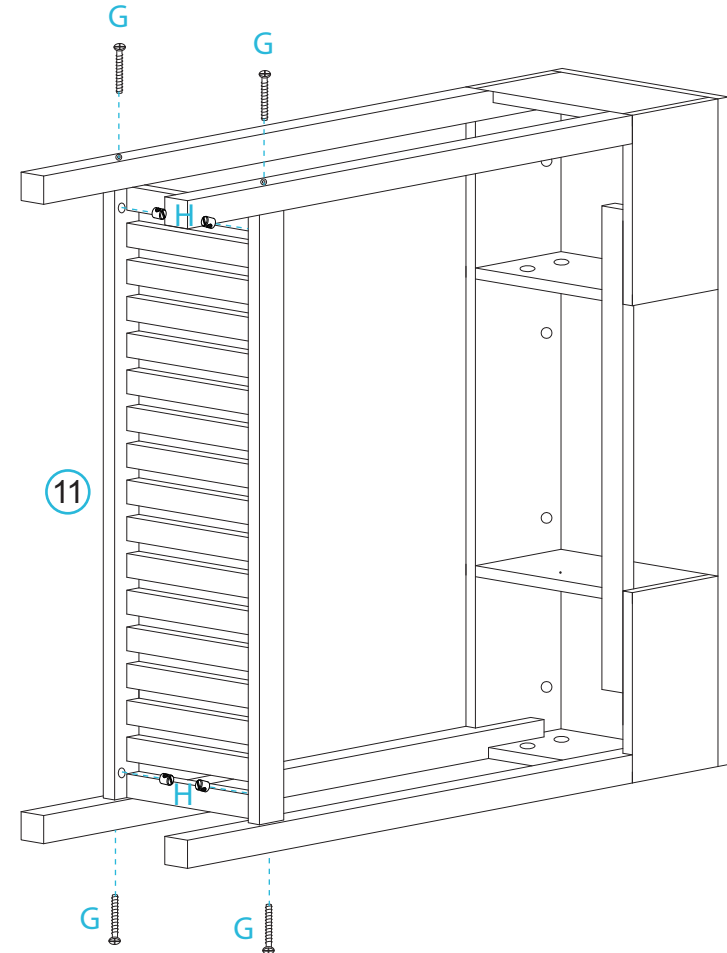
mocka

5



Attach the legs [9] and [10] to the corners of the unit as shown and secure with 8x washers (L) and 8x bolts (K). Tighten with a screwdriver.

6



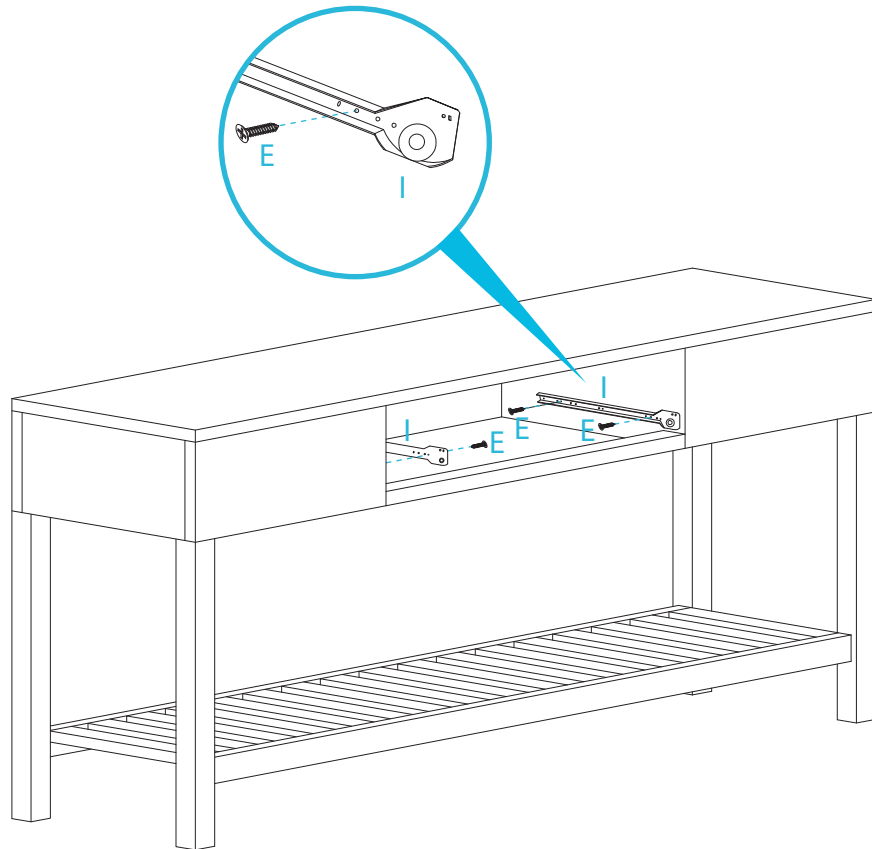
Carefully turn the unit on its side. Attach panel [11] between the legs as shown and secure with 4x bolts (G) and 4x nuts (H). Tighten with a screwdriver.

# Jimmy Console

## Assembly Instructions

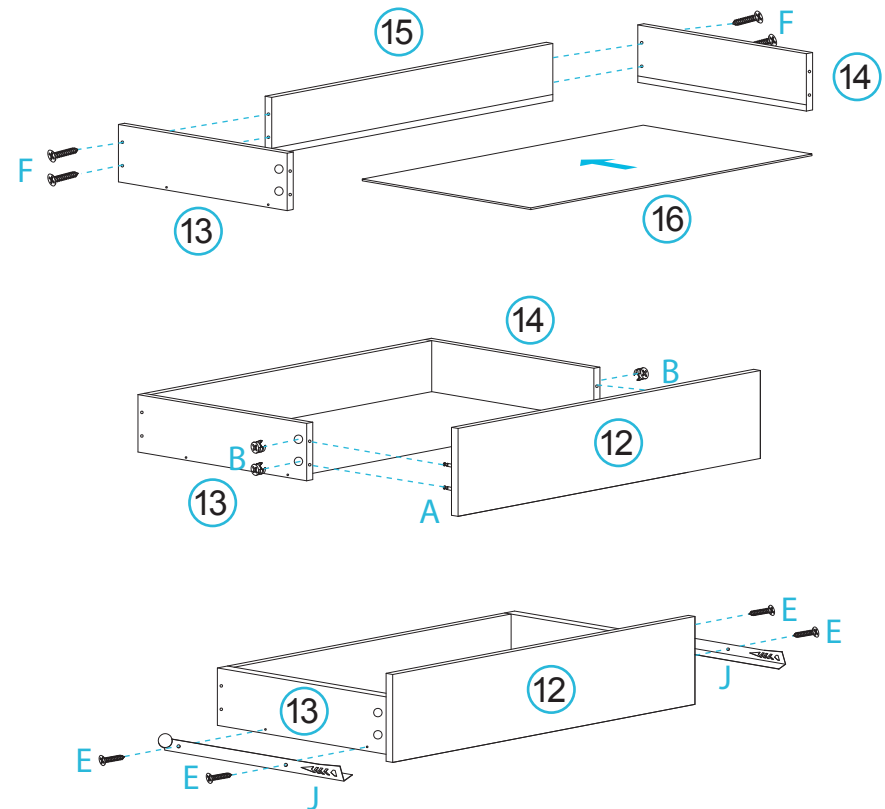
mocka

7



Attach 2x slide rails (I) to the inner cavity of the unit and secure with 4x screws (E) as shown. Tighten with a screwdriver.

8 Drawer



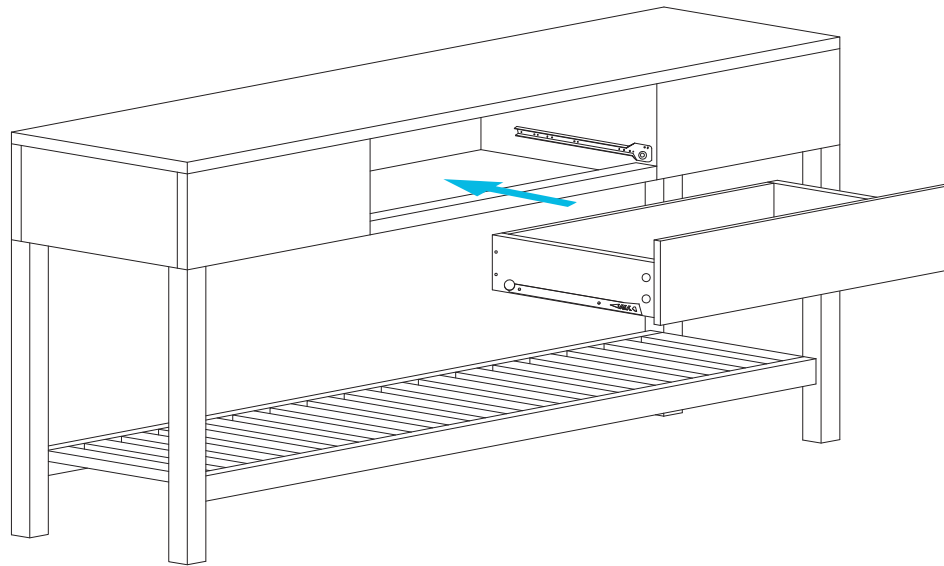
Attach panel [13], [14] and [15] together with 4x screws (F). Slide panel [16] along the grooves to form the base of the drawer. Insert 4x bolts (A) into panel [12] and secure to side panels [13] and [14] with 4x locking nuts (B). Attach 2x slide rails (J) to side panels [13] and [14] using 4x screws (E) and tighten with a screwdriver..

# Jimmy Console

## Assembly Instructions

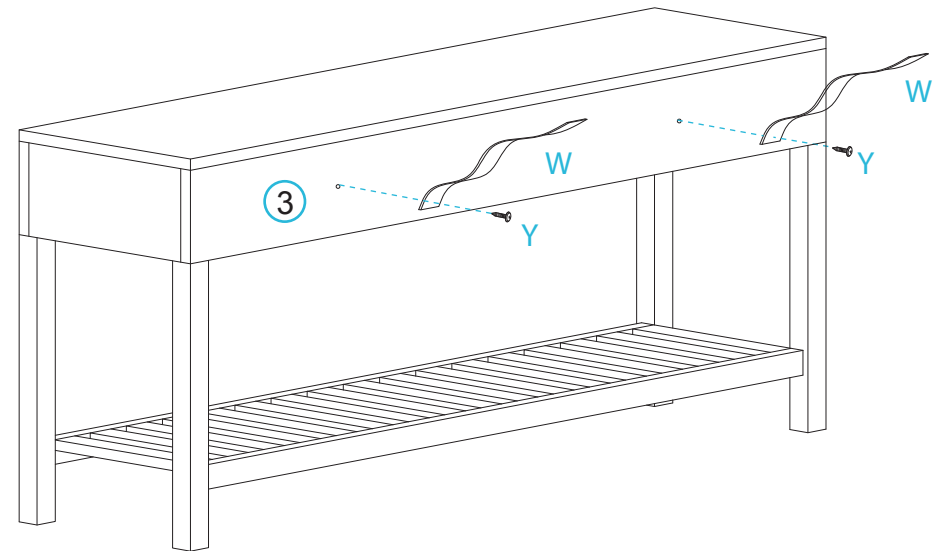
mocka

9



Insert the assembled drawer, ensuring it slides smoothly and easily along the rails.

10 Wall Strap



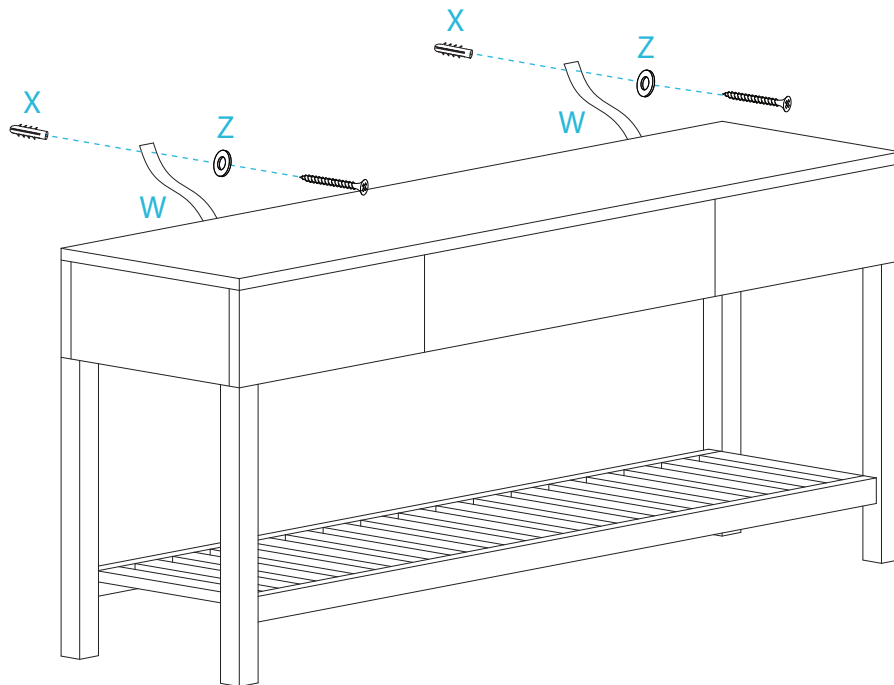
Attach 2x safety straps (W) to the the back side of the unit [3] using 2x r/washer screws (Y). Tighten with a screwdriver.

# Jimmy Console

## Assembly Instructions

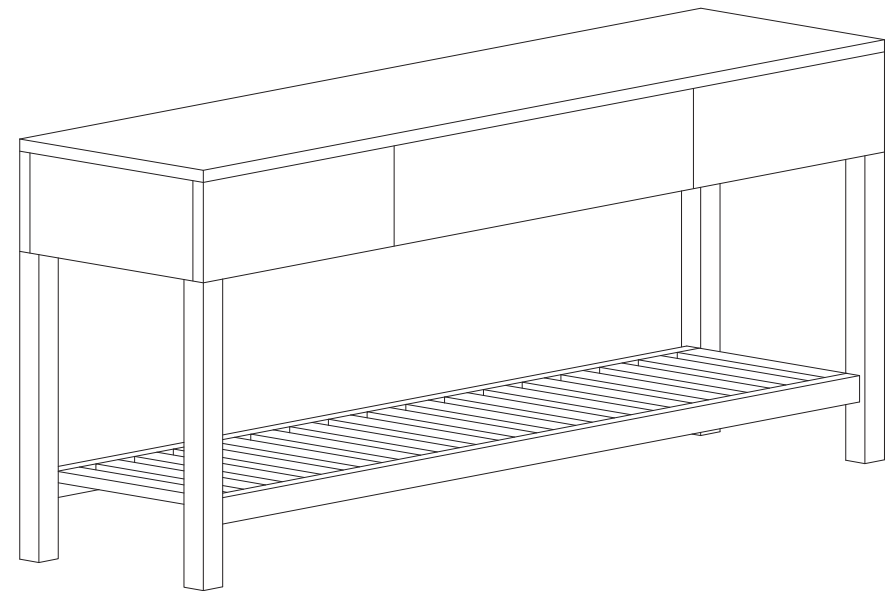
mocka

### 11 Wall Strap



Once assembled lift furniture into place, do not drag. Use a drill to create two small holes lining up with the top of the safety straps (W). Fasten to wall using 2x wall plugs (X), 2x washers (Z) and 2x wall screws (not supplied).

### 12



Ensure unit is balanced and steady before use. You're done, enjoy!