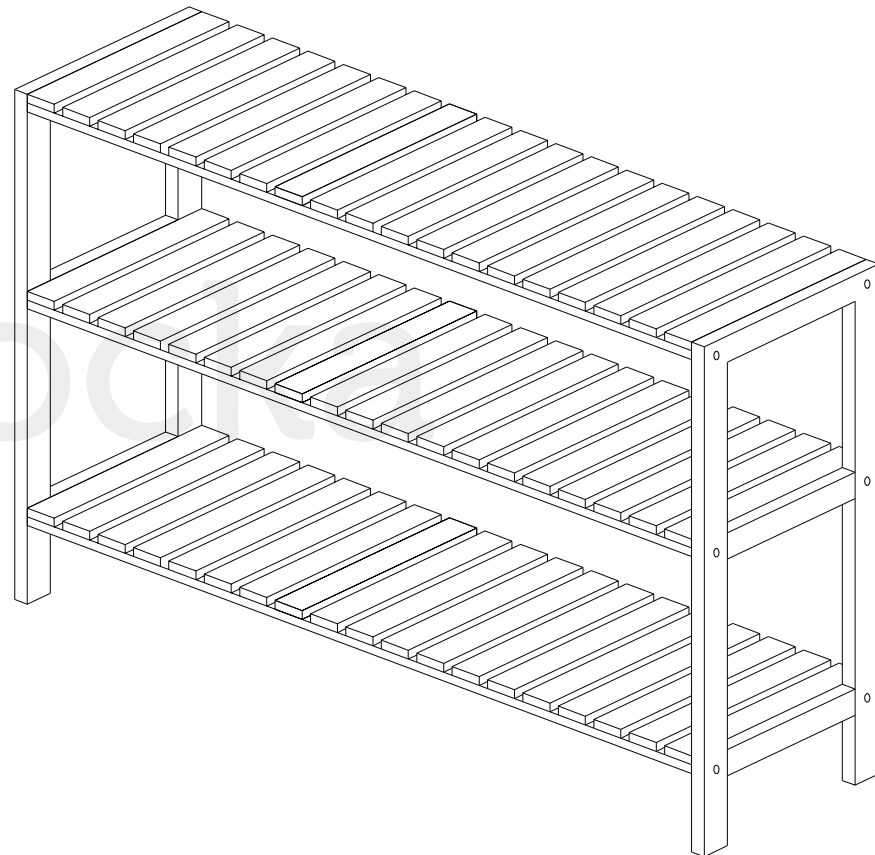
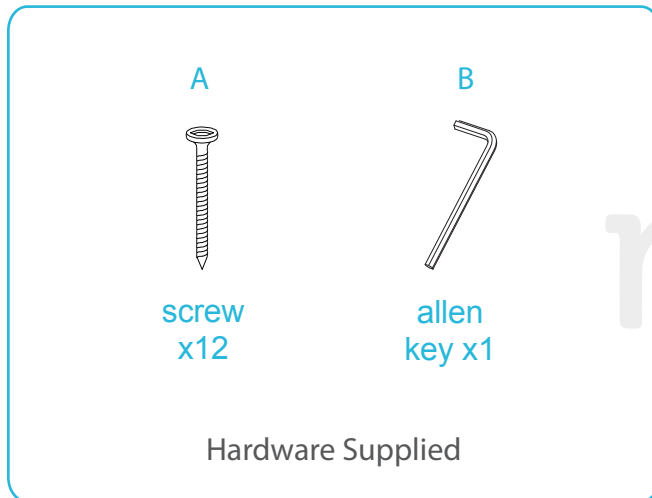


The Jimmy Trio

ASSEMBLY INSTRUCTIONS

mocka

Thank you for your purchase.
Please follow the instructions below for correct assembly.

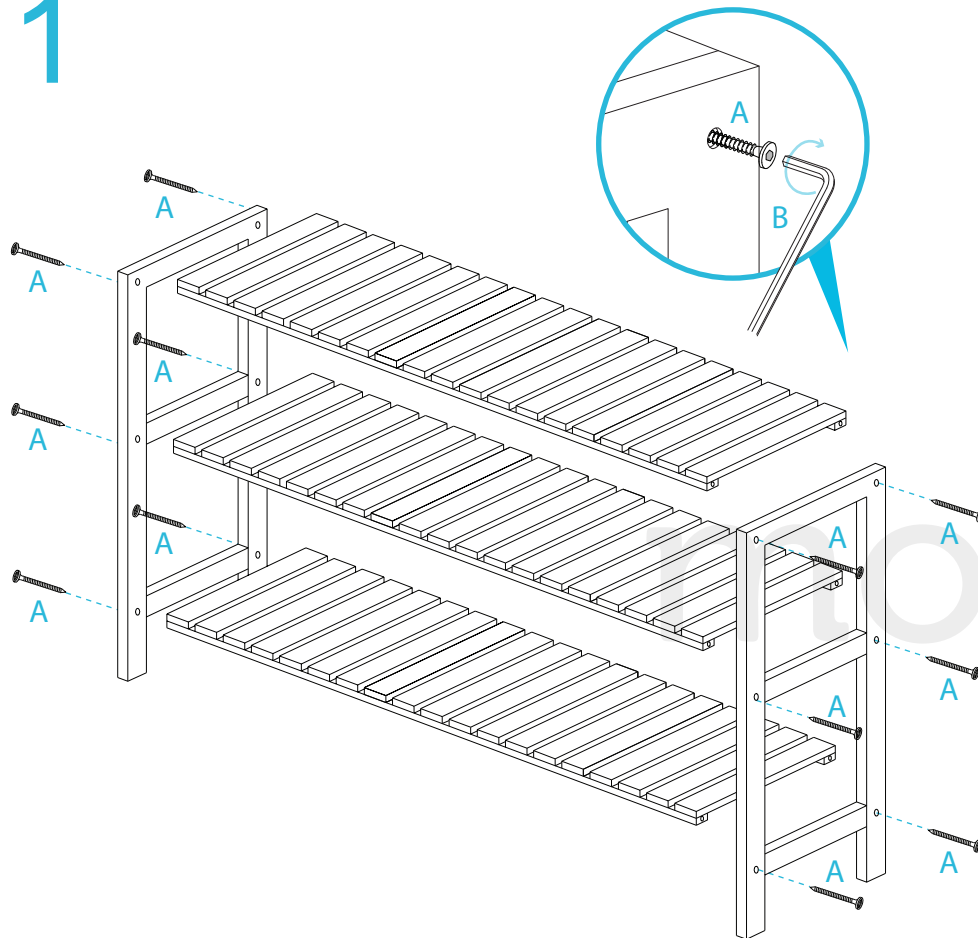


The Jimmy Trio

ASSEMBLY INSTRUCTIONS

mocka

1



To assemble the Jimmy Trio attach the shelf slats to the support legs using 6x screws (A) in each end as shown. Tighten screws with the allen key (B) provided.

2



Ensure all screws are securely fastened before use. You're done, enjoy!