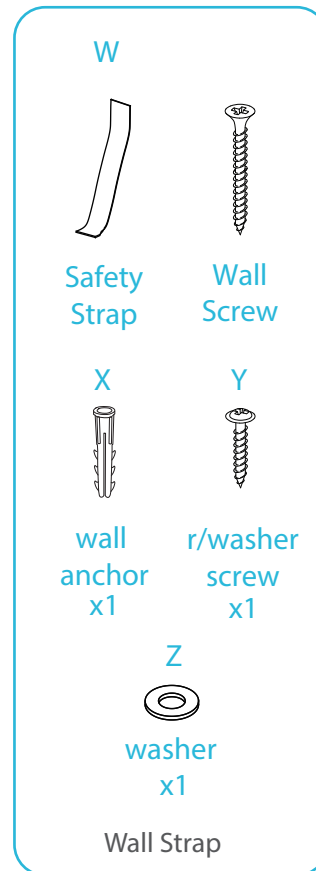
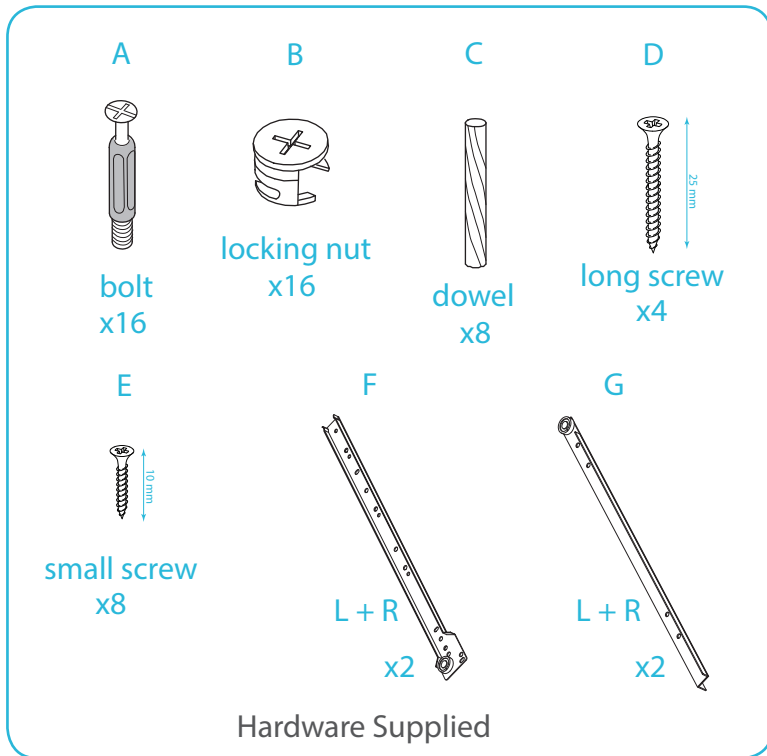


Jordi Desk

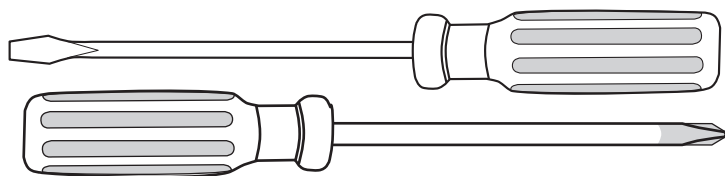
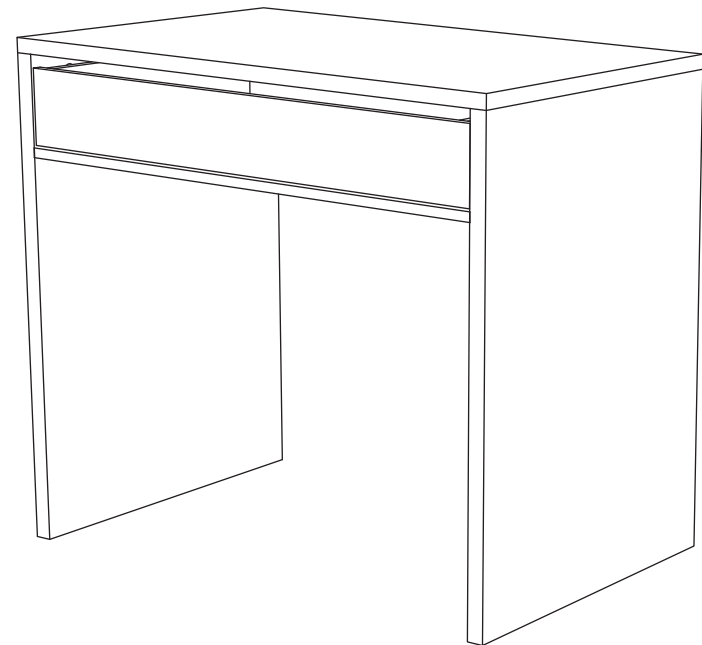
Assembly Instructions

Thank you for your purchase.
Please follow the instructions below for correct assembly.

mocka



WARNING: Any furniture that is not anchored to a wall has the potential to tip over in certain circumstances, i.e. if a child attempts to climb up on the furniture or in the event of an earthquake. Accordingly, we recommend that all furniture is anchored to a wall. We supply a free safety wall anchor with all furniture sold and we recommend these are used to prevent your product tipping. The fixing device provided should fit most wall types, but please note that different wall materials may require different fixing devices from those supplied.



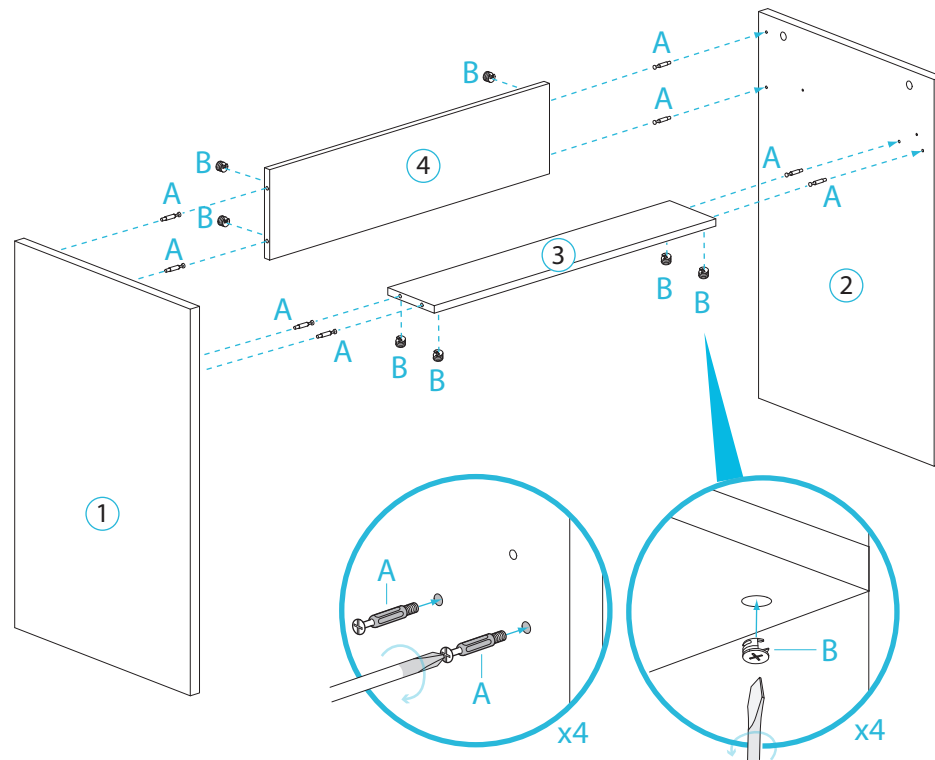
Phillips & Flathead screwdrivers required

Jordi Desk

Assembly Instructions

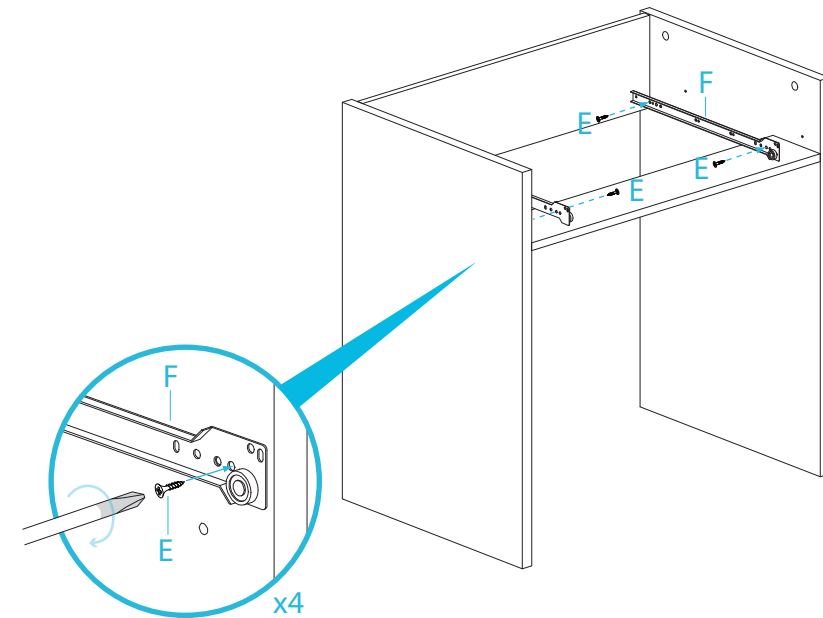
mocka

1



Screw bolts (A) into holes in panels [1] and [2]. Slot together with panel [3] and [4] as shown. Place 4x locking nuts (B) into in both panel [3] and [4]. Lock and tighten with screwdriver.

2



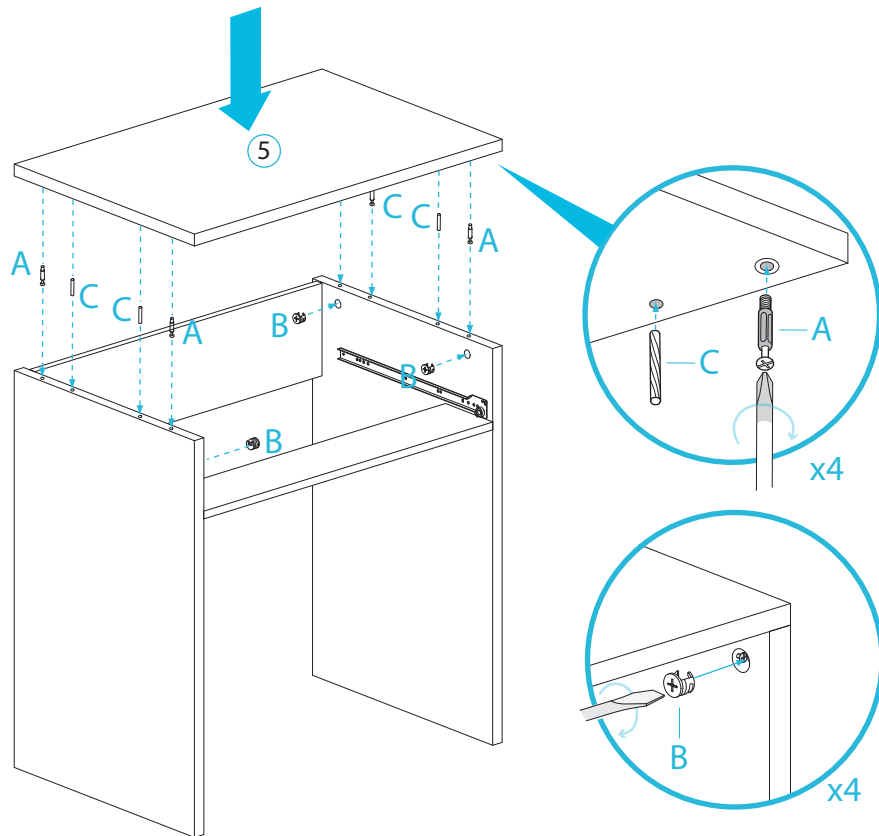
Attach 2x slide rails (F) in place on panels [1] and [2] using 2x small screws (E) in each rail bracket. Fasten all screws with a screwdriver.

Jordi Desk

Assembly Instructions

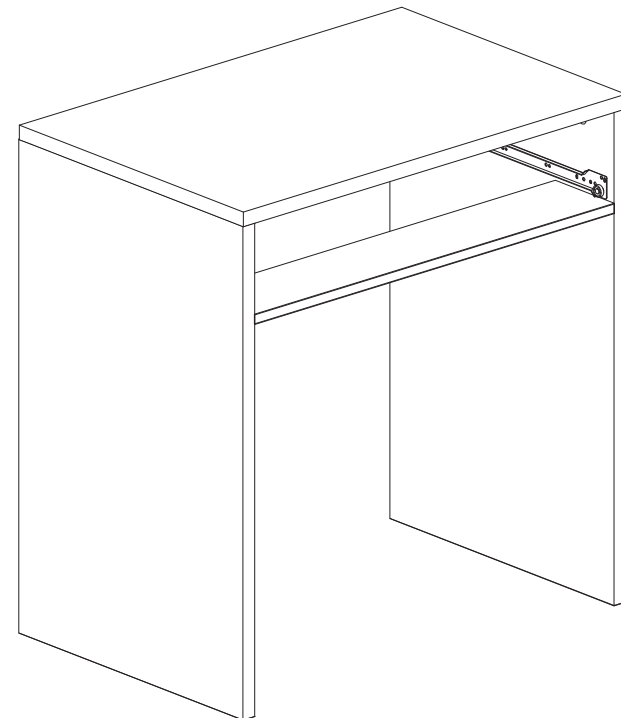
mocka

3



Screw in 4x bolts (A) and insert 4x dowels (C) into holes in top panel [5]. Slot together with the rest of the structure. Place locking 4x locking nuts (B) into hole in the side panels.

4



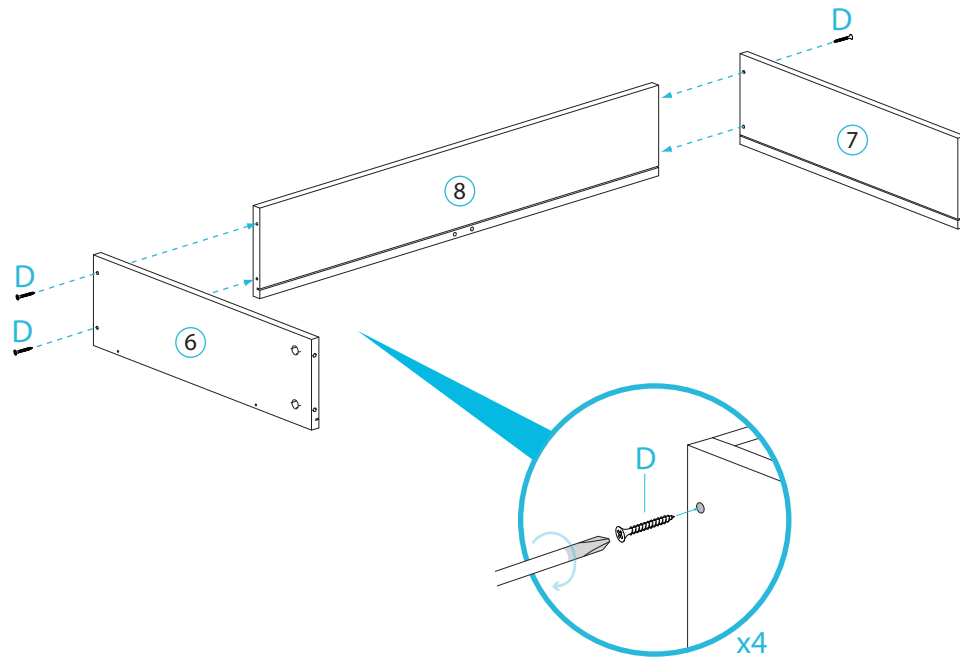
Tighten all nuts with a screwdriver. The desk unit is all done. Ensure screws are tight before proceeding with the drawer assembly.

Jordi Desk

Assembly Instructions

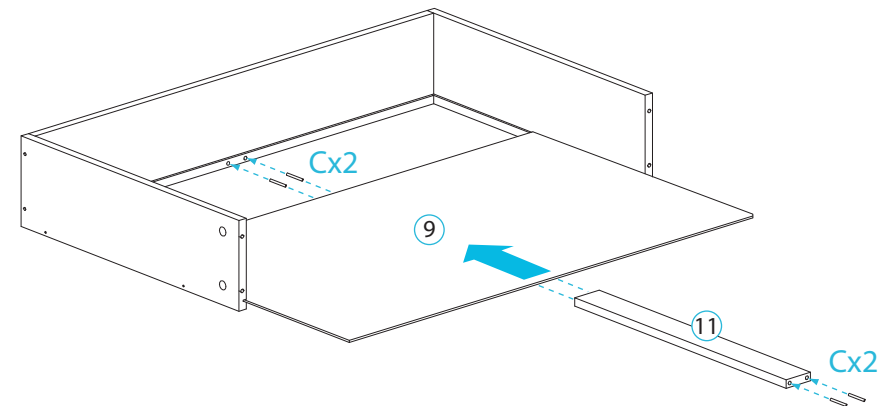
mocka

5 Drawers



Attach side panels [6] and [7] to back panel [8] using 4x long screws (D) in the holes provided and tighten with a screwdriver.

6



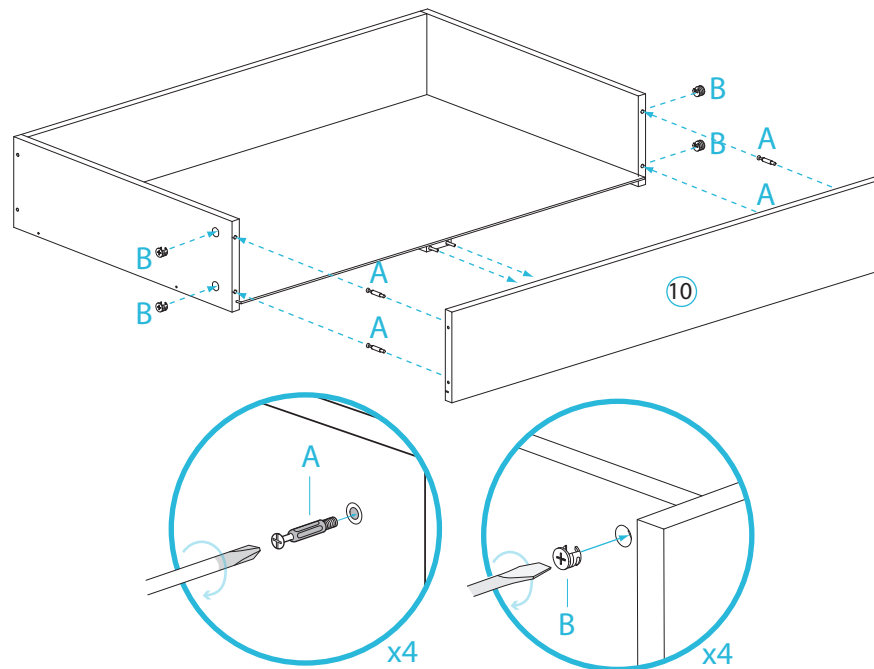
Slide the base panel [9] into place in the grooves in side and back panels. Insert 2x dowels (C) into both ends of support piece [11] and fit into back panel as shown.

Jordi Desk

Assembly Instructions

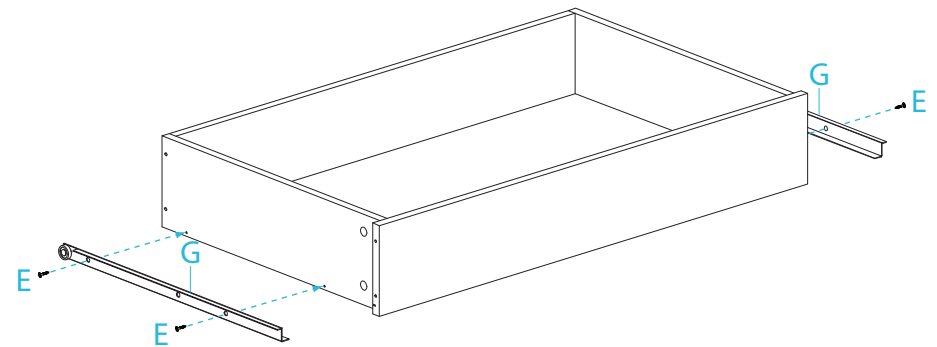
mocka

7



Screw 4x bolts (A) into the front panel [10] and attach to the side panels using 4x locking nuts (B). Tighten with a screwdriver.

8



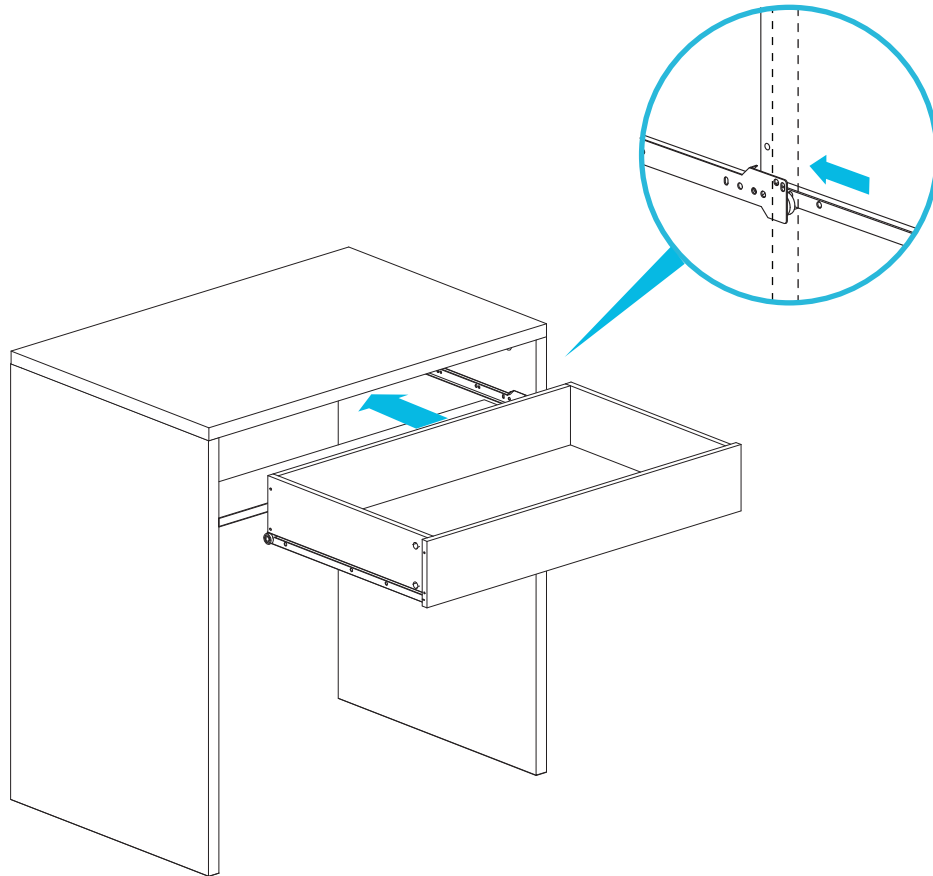
Finally, attach 2x rail components (G) to both left and right side of the drawer using 4x screws (E). Check all screws are securely fastened.

Jordi Desk

Assembly Instructions

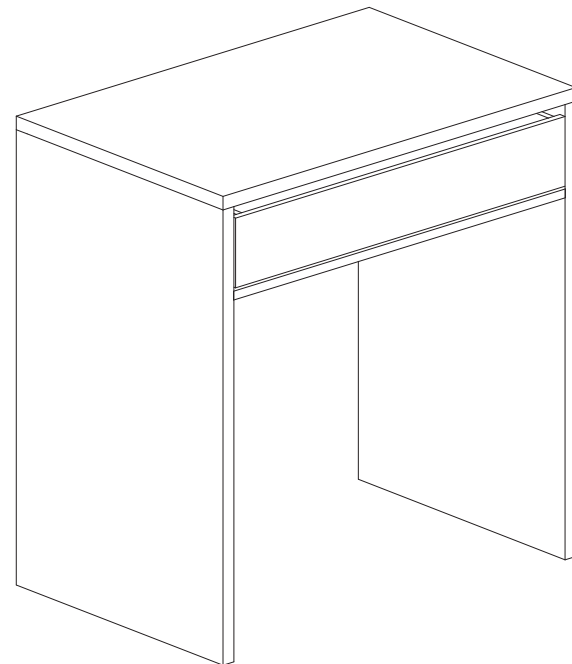
mocka

9



Lift and slide the completed drawer into place on the rails in the desk unit as shown.

10



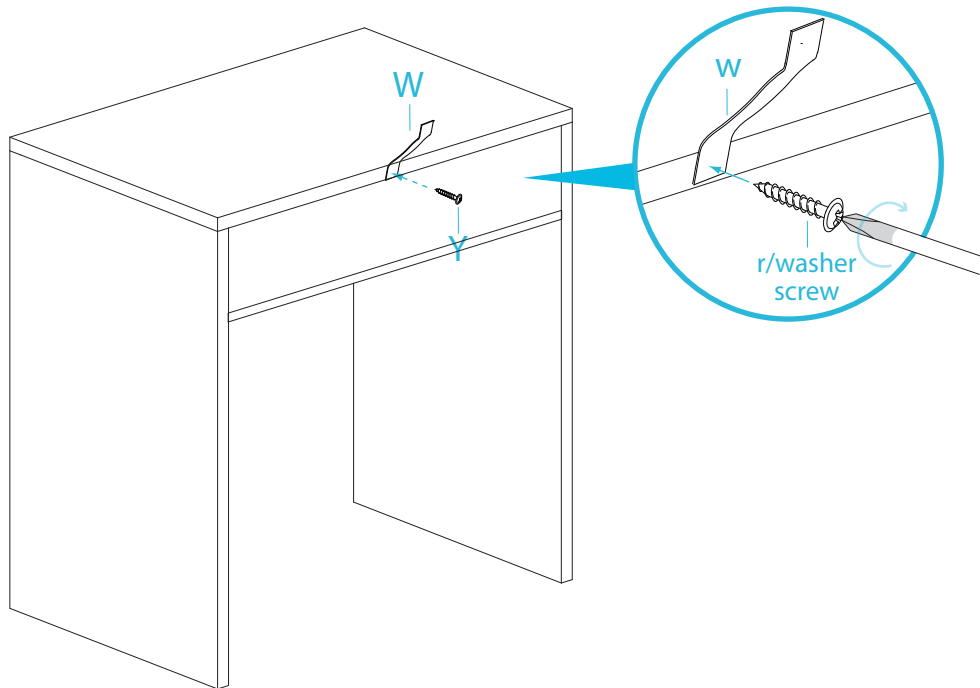
Ensure the drawer can easily slide open and close.

Jordi Desk

Assembly Instructions

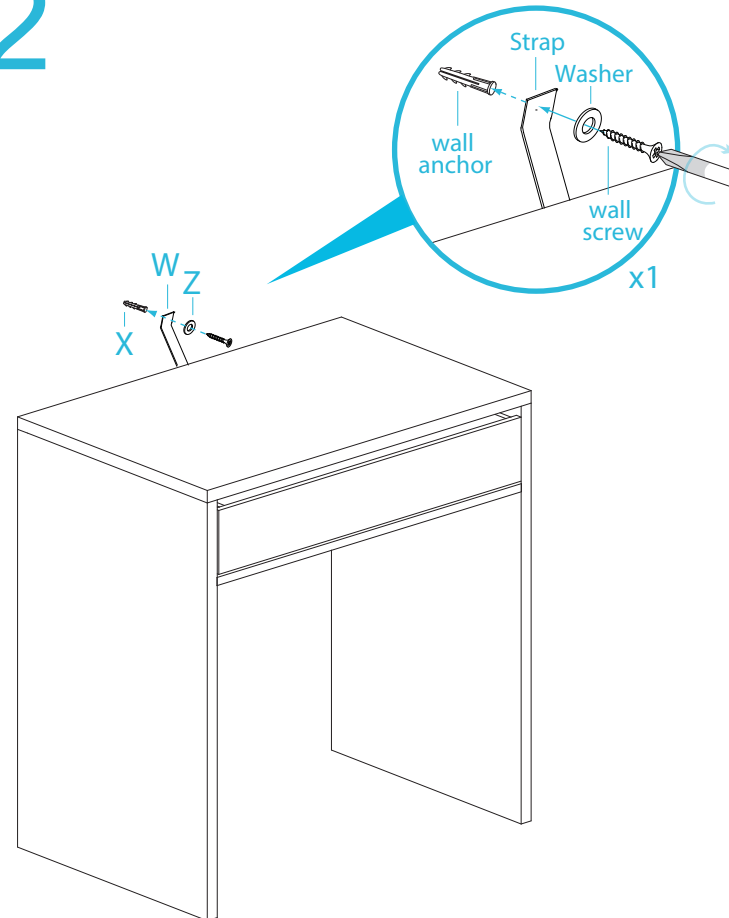
mocka

11 Safety Strap



Attach safety strap (W) to the top of the back side of the unit using screw (Y). Tighten with a screwdriver. Once assembled lift furniture into place, do not drag.

12



Move the unit into the desired location up against a wall. Use a drill to create a small hole lining up with the top of the safety strap (W). Fasten to wall using wall anchor (X), washer (Z) and a wall screw. Ensure unit is balanced and steady before use. You're done, enjoy!