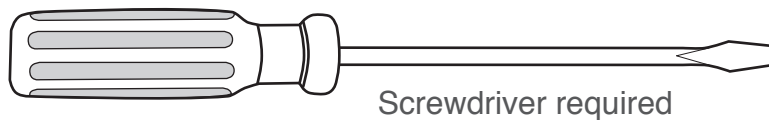
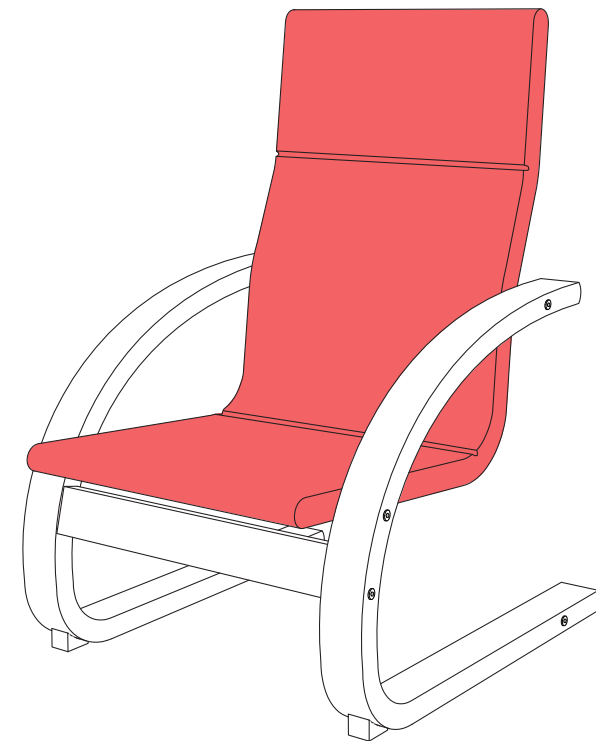
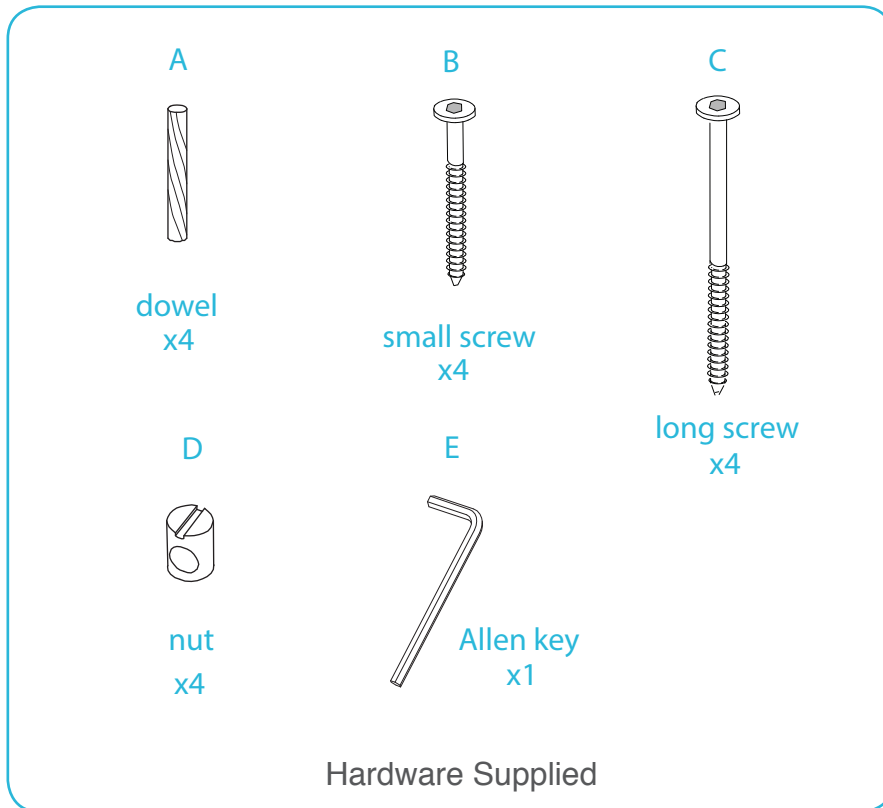


Kids Armchair

Assembly Instructions

Thank you for your purchase.
Please follow the instructions below for correct assembly.

mocka



Regularly check screws during use to ensure they are tight for safety.

Use a damp cloth for cleaning.

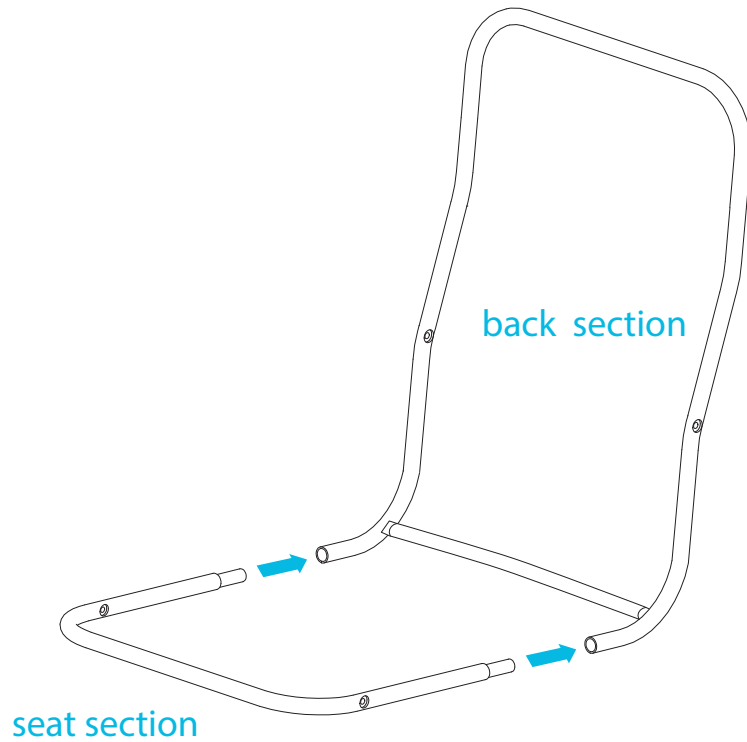
Do not screw all screws tight until completion.

Kids Armchair

Assembly Instructions

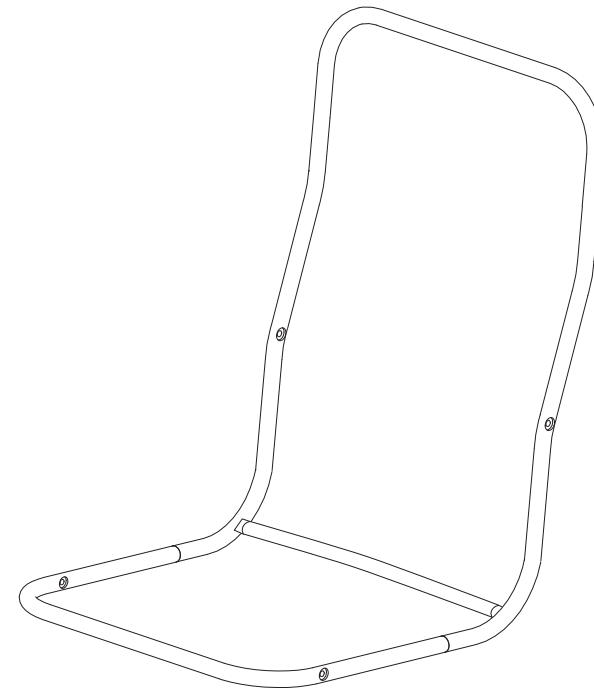
mocka

1



Begin by assembling the metal frame for the seat. Find the back and seat sections of the metal frame.

2



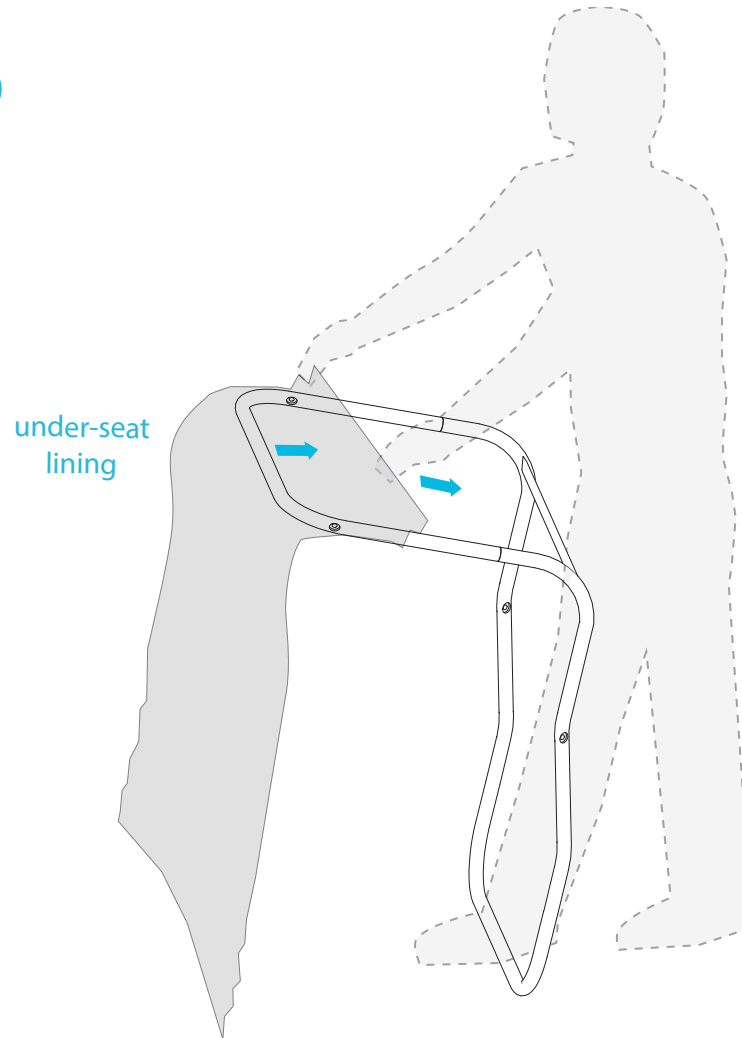
Slot the two pieces together as shown. Ensure the frame is rigidly connected.

Kids Armchair

Assembly Instructions

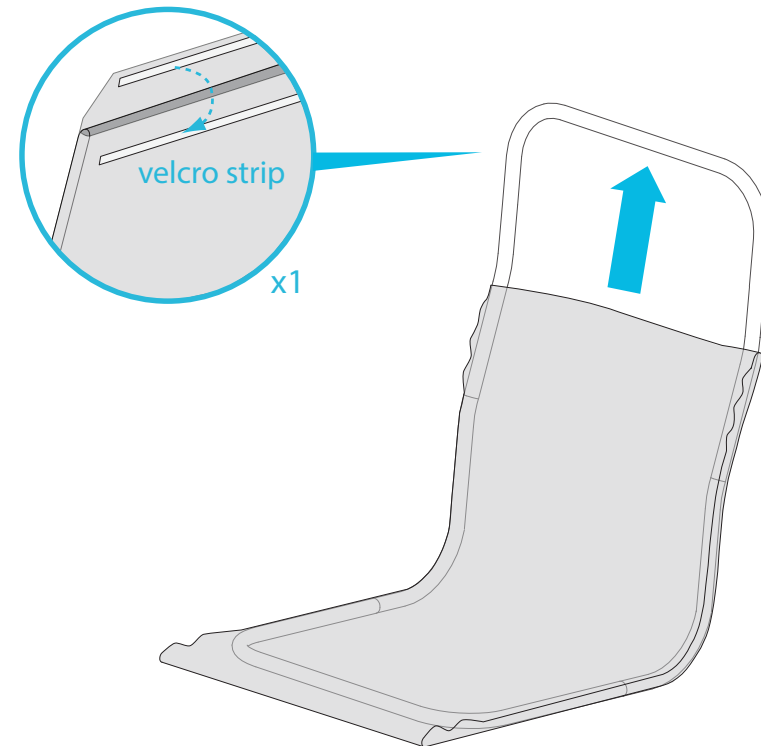
mocka

3



Flip frame up as shown and carefully begin sliding on the under-seat lining. Slide the lining sleeve over the frame.

4



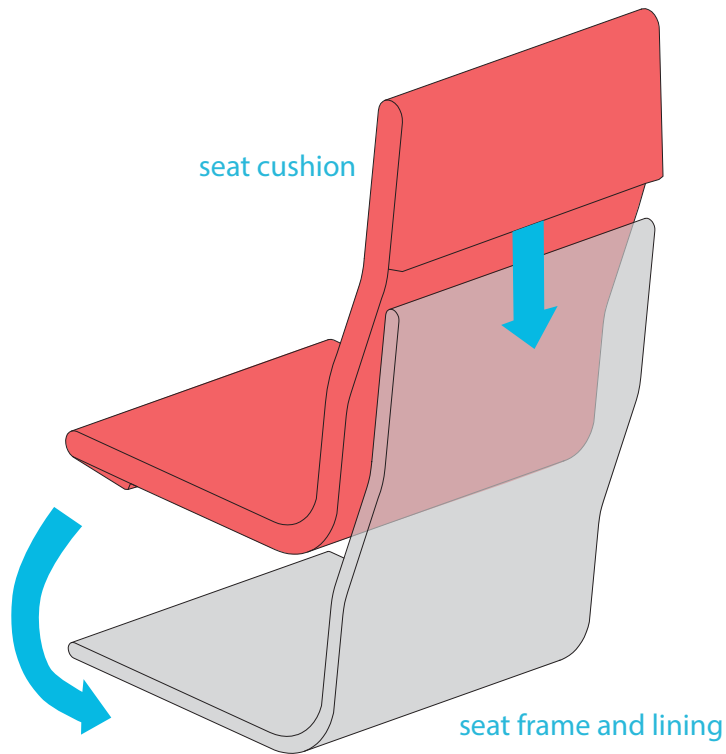
Pull the lining over the whole frame and fasten closed over the top using the velcro strips.

Kids Armchair

Assembly Instructions

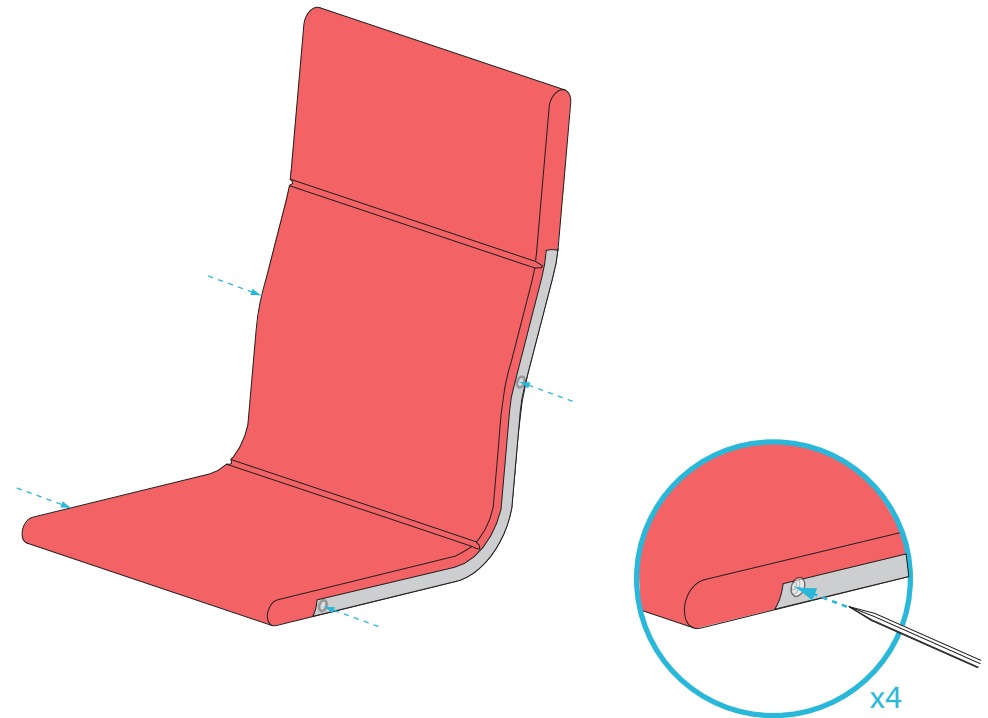
mocka

5



Find the padded seat cushion. Slide the top of seat cushion over the top of the frame and lining. Pull the top at the bottom of the cushion down over and around the seat.

6



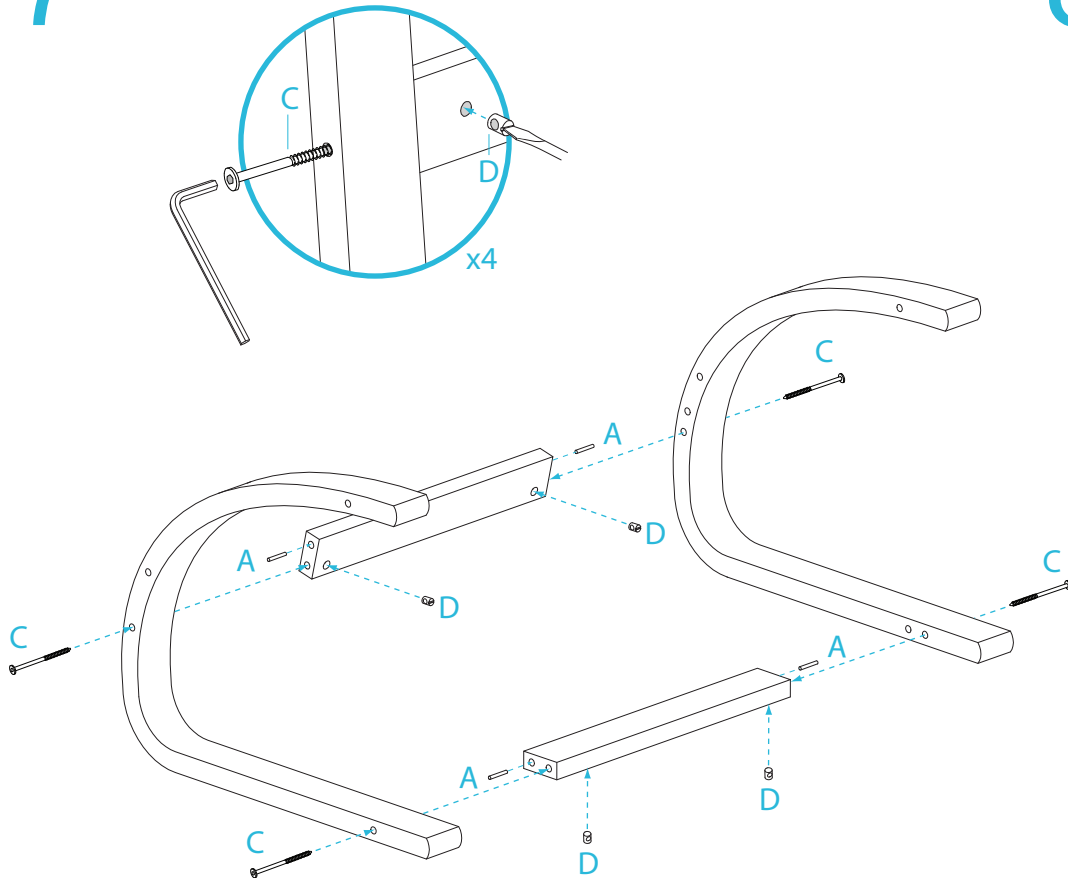
Insert a skewer, screw or sharp object through the ring holes in the side of the frame, carefully piercing the under-seat lining. Ensure the 4 holes line up correctly.

Kids Armchair

Assembly Instructions

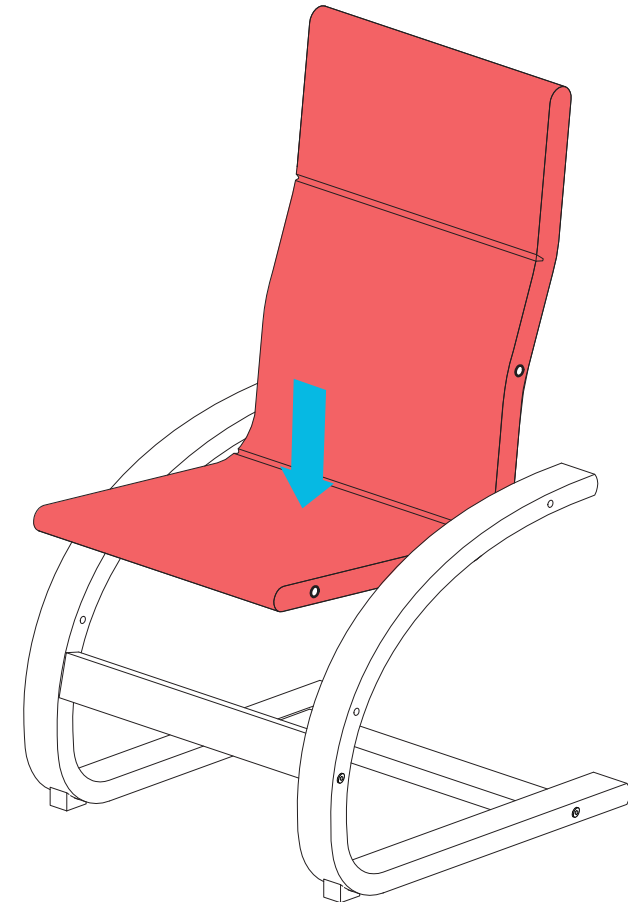
mocka

7



To make up the wooden legs for the Armchair insert one dowel (A) into each end of both support braces. Slot into the chair legs as shown. Loosely fasten using long screws (C) and nuts (D).

8



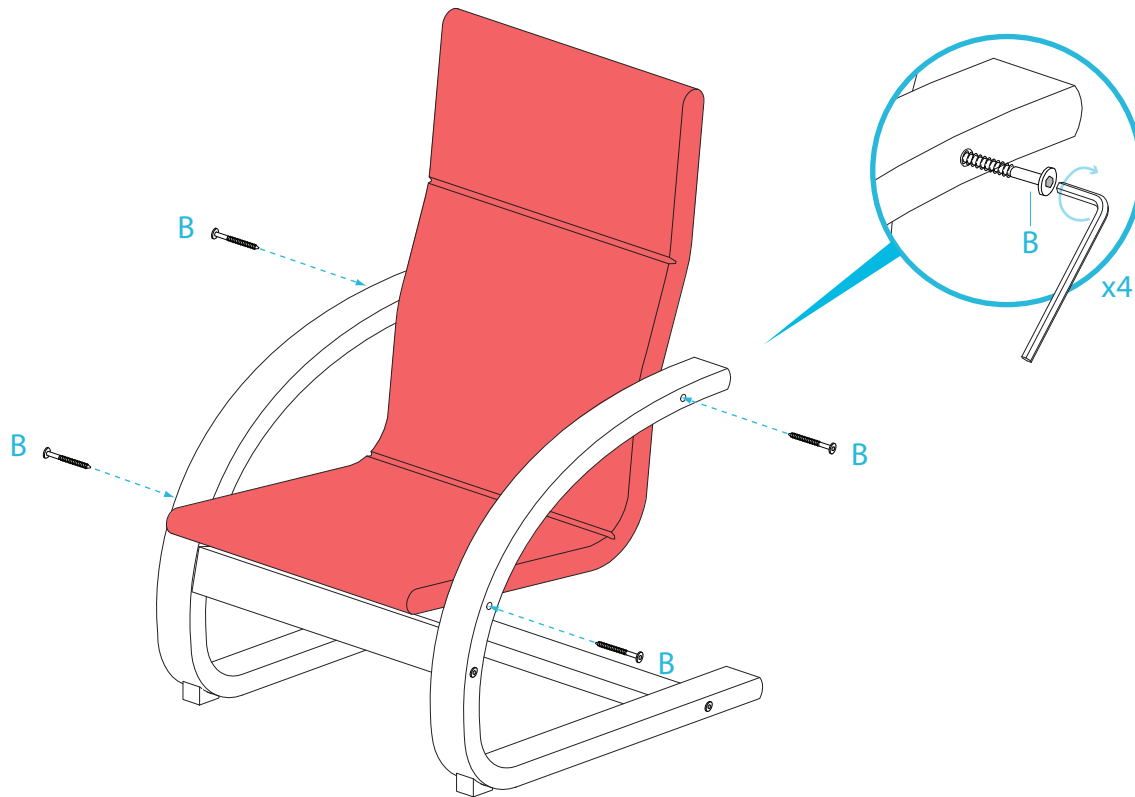
Slide seat between the chair legs and armrests. Ensure holes in the seat frame line up with corresponding holes in the wooden chair legs.

Kids Armchair

Assembly Instructions

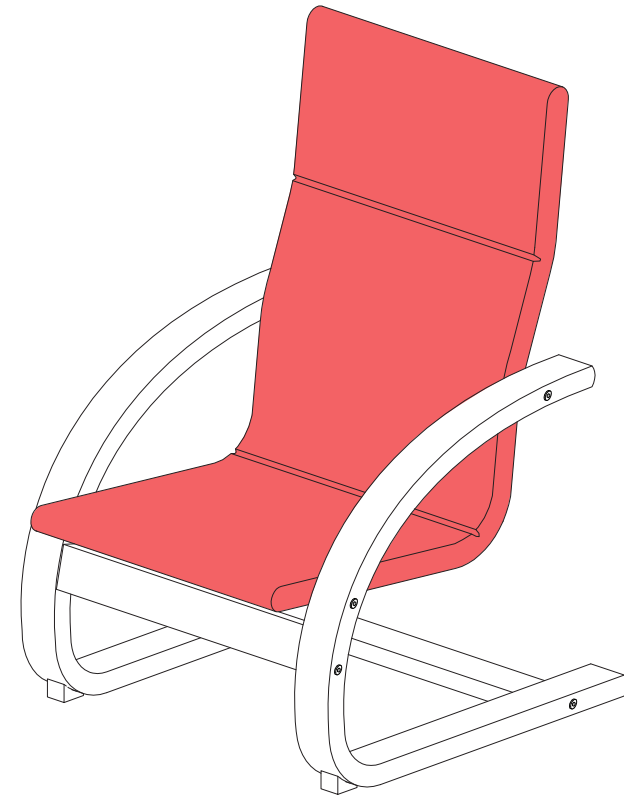
mocka

9



Attach seat cushion and frame to the chair legs using short screws (B). Make sure each screw passes through the holes in the lining and into the metal frame.

10



Finally ensure all screws are securely tightened before use. All done! Enjoy!