

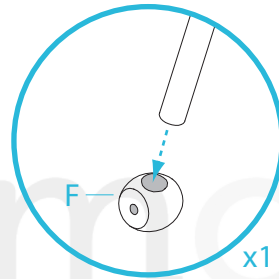
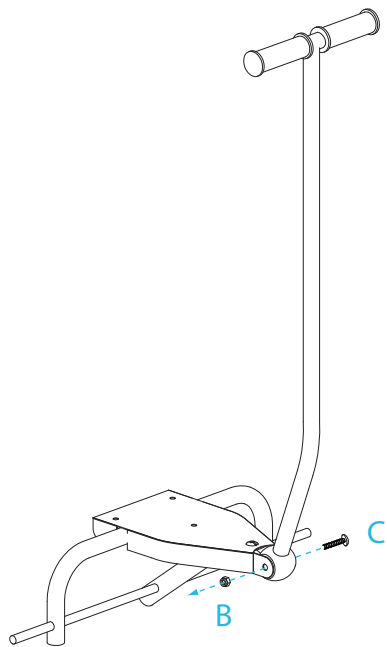


# Kids Steel Wagon

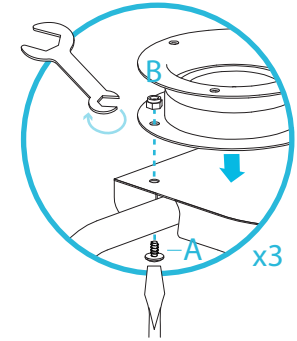
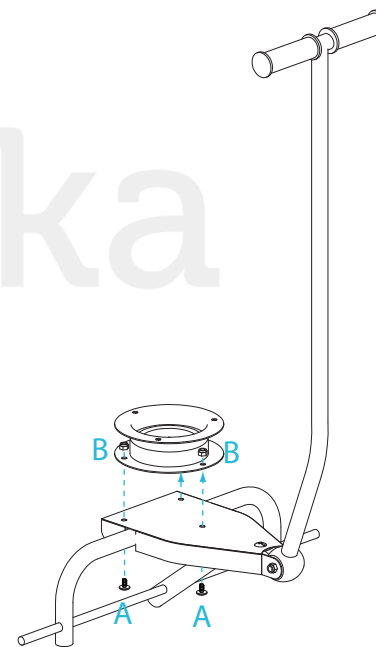
## ASSEMBLY INSTRUCTIONS

mocka

1



2



**First connect the long handle with round black ball (F).** Connect this to the front axle by threading long screw (C) through the holes in the axle and round ball, and fastening with nut (B). Tighten nut with spanner (I).

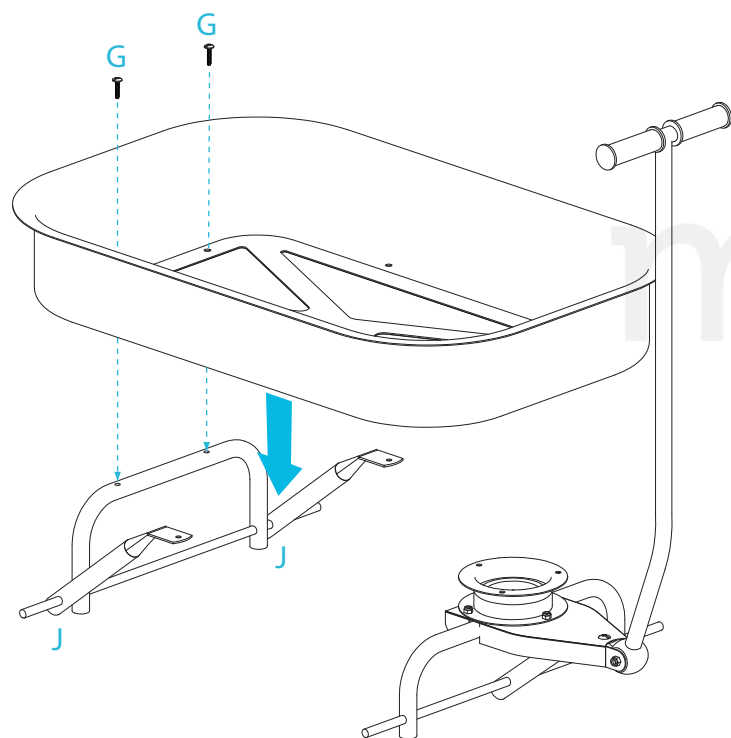
Using 3 x small screws (A) and nuts (B), attach circular swivel through the corresponding holes to the axle frame. Hold screws in place with screwdriver and tighten nuts (B) with spanner (I).

# Kids Steel Wagon

## ASSEMBLY INSTRUCTIONS

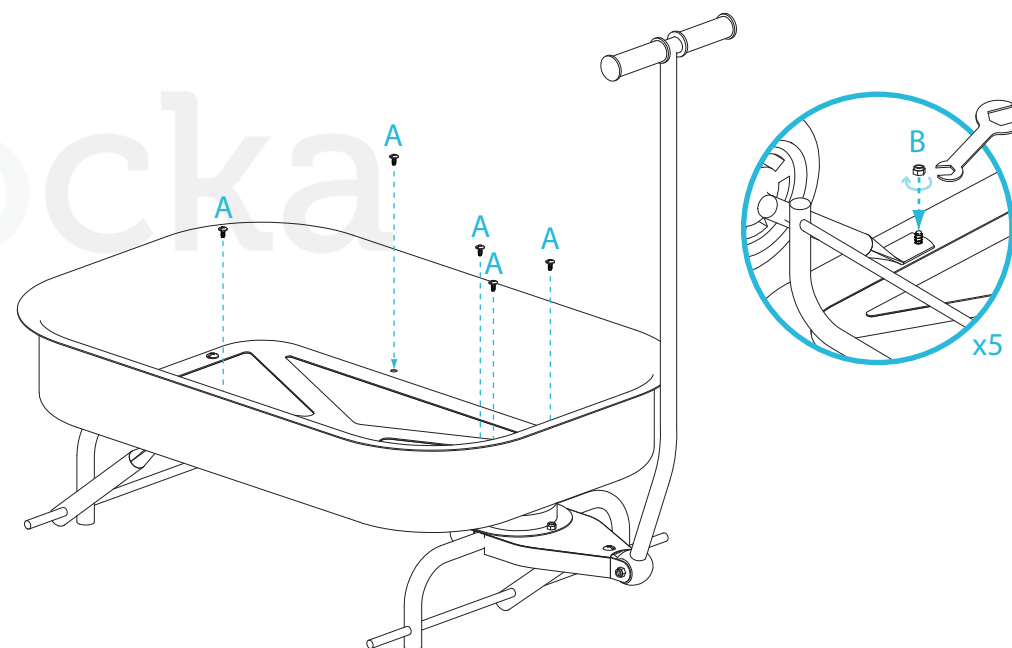
mocka

3



Lower wagon tray onto the axles. Slide on rear support braces (J) to back axle. Attach rear axle to the wagon tray using two medium screws (G) and 2x nuts (B) and tighten from underneath using the spanner (I).

4



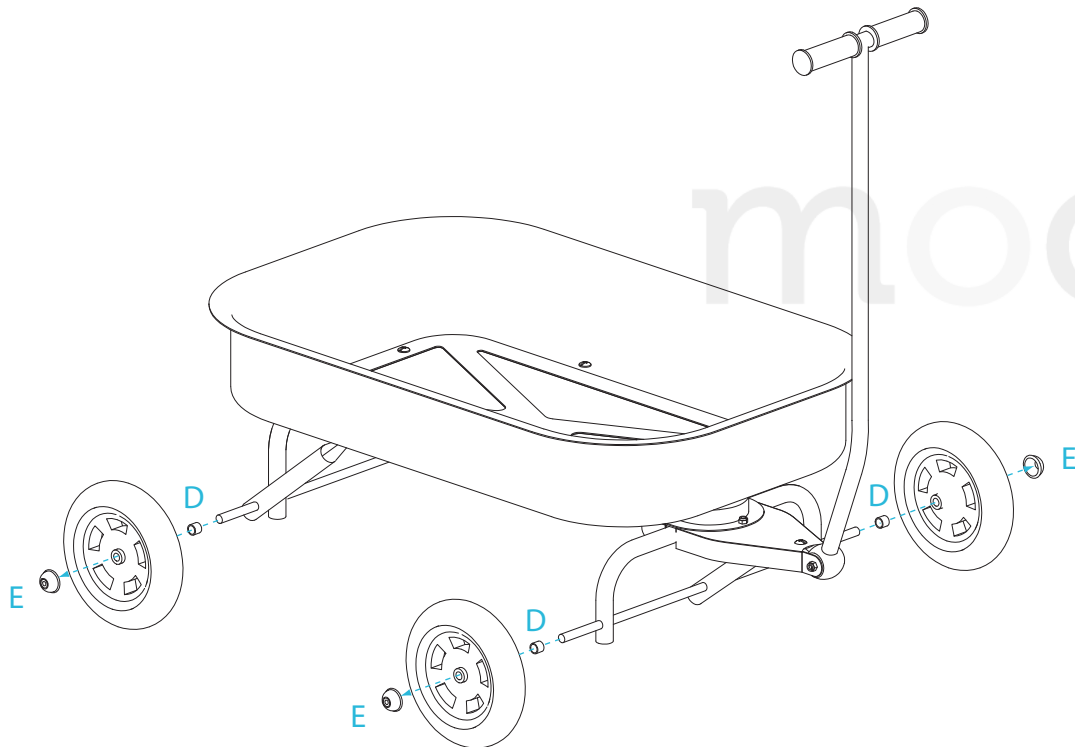
Attach the rear support braces and the circular swivel to the wagon tray using 5x small screws (A) and nuts (B). Tighten from underneath using the spanner (I).

# Kids Steel Wagon

## ASSEMBLY INSTRUCTIONS

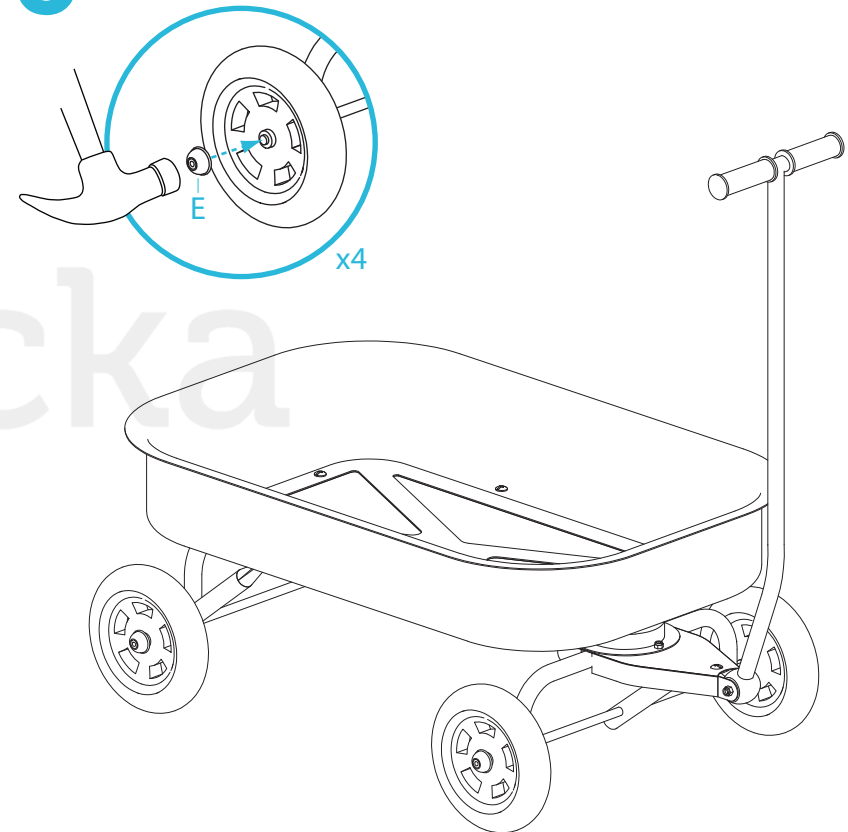
mocka

5



To attach the wheels first slide four washers (D) on to the axles. Then slide on all four wheels before pressing on the end caps (E).

6



Secure end caps (E) by tapping with a hammer to ensure correct fitting. Securely tighten all nuts (B) before use. All done! Enjoy!