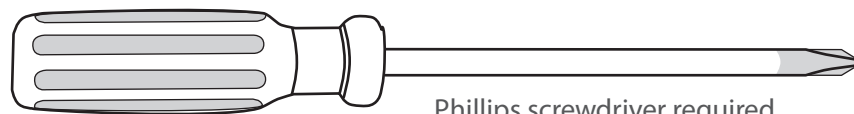
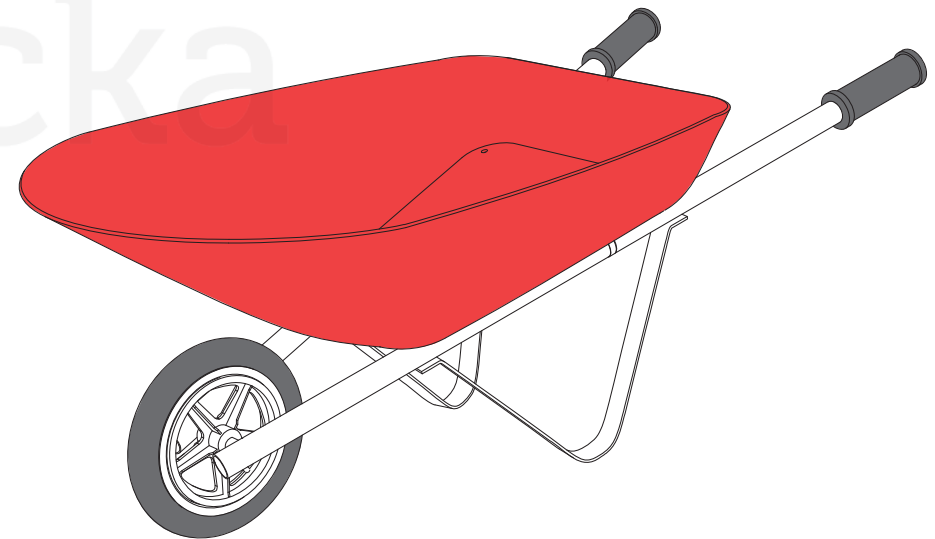
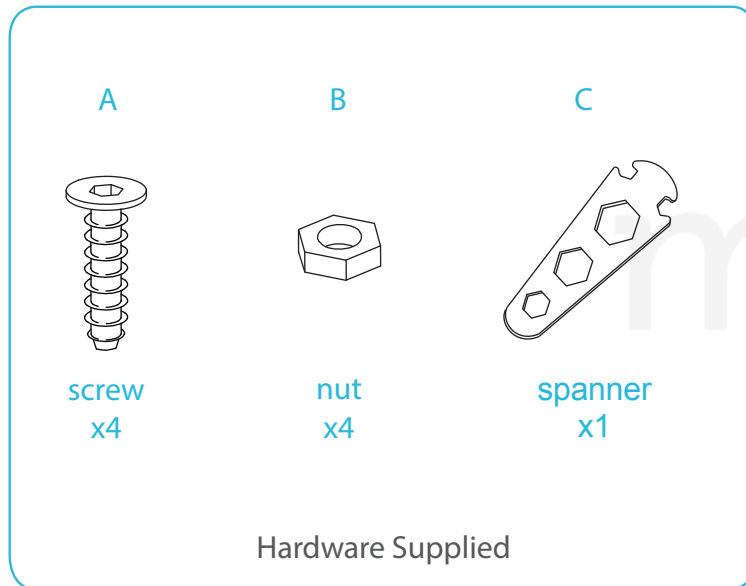


# Kids Steel Wheelbarrow

## ASSEMBLY INSTRUCTIONS

mocka

Thank you for your purchase.  
Please follow the instructions below for correct assembly.



Phillips screwdriver required

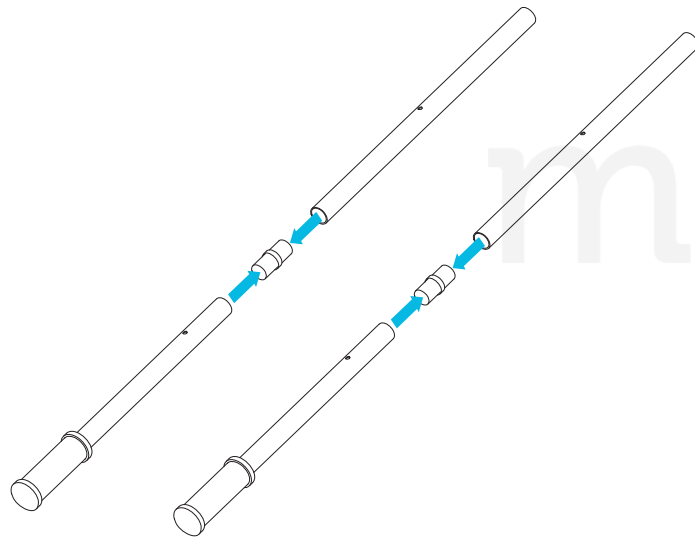
ALL nuts and bolts must be checked and tightened before first use. Regularly check all screws are tight to ensure safety.

# Kids Steel Wheelbarrow

## ASSEMBLY INSTRUCTIONS

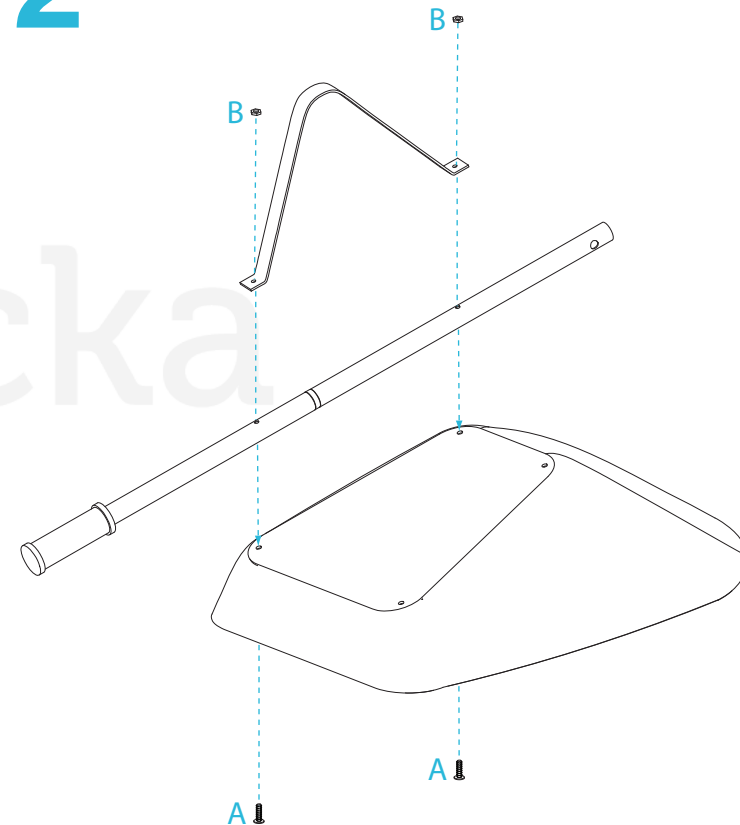
mocka

1



Firstly join together the two handle rods using the plastic connector as shown. Repeat step for the second handle.

2



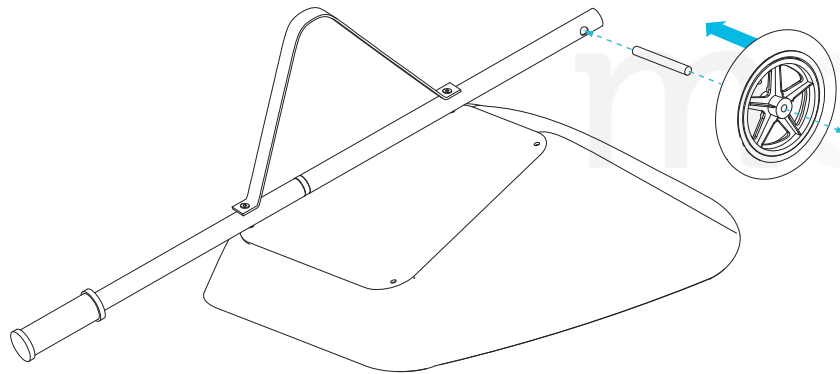
Next attach one wheelbarrow leg piece and one handle rod to the wheelbarrow tray using 2x bolts (A) inside the tray and fasten securely with 2x nuts (B).

# Kids Steel Wheelbarrow

## ASSEMBLY INSTRUCTIONS

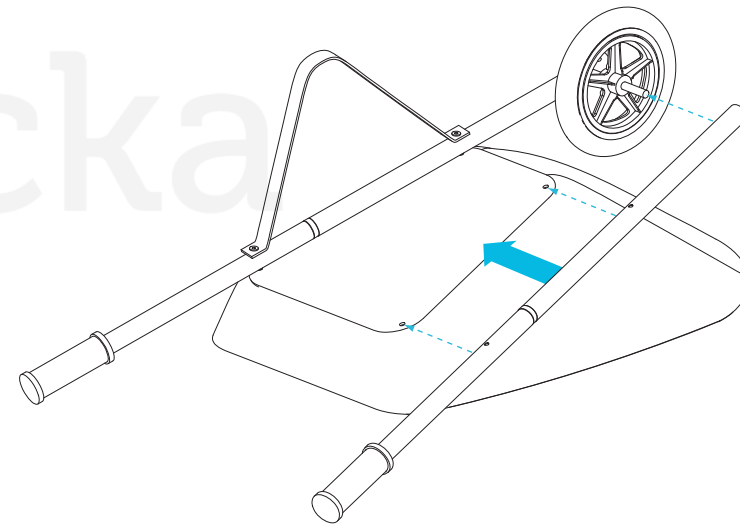
mocka

3



Slot the wheel on to the middle of the axle piece and insert into the hole at the end of the handle rod as shown.

4



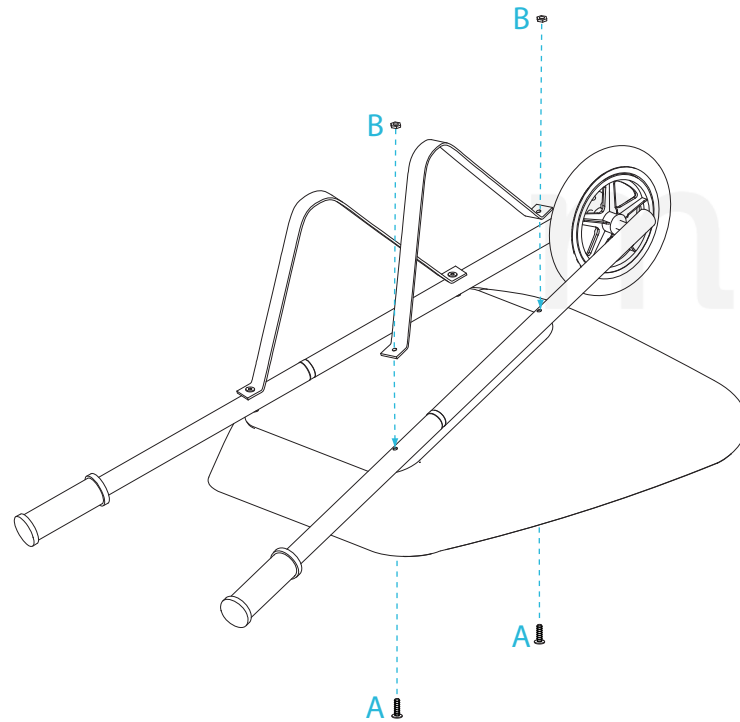
Slot the second handle piece on to the wheel axle and position in place over the holes in the underside of the wheelbarrow tray.

# Kids Steel Wheelbarrow

## ASSEMBLY INSTRUCTIONS

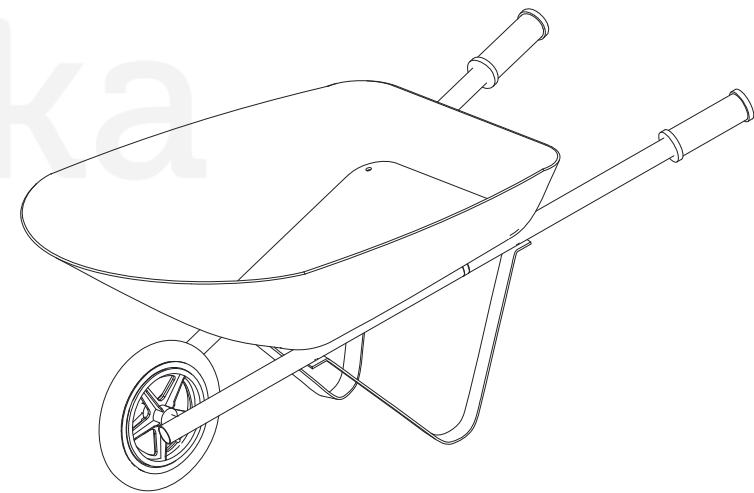
mocka

5



Attach the second wheelbarrow leg piece and handle rod to the wheelbarrow tray using 2x bolts (A) inside the tray and fasten securely with 2x nuts (B).

6



All done! Use the spanner (C) and flathead screwdriver to tighten all bolts and regularly check these are tight to ensure safety.