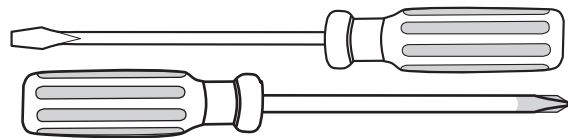
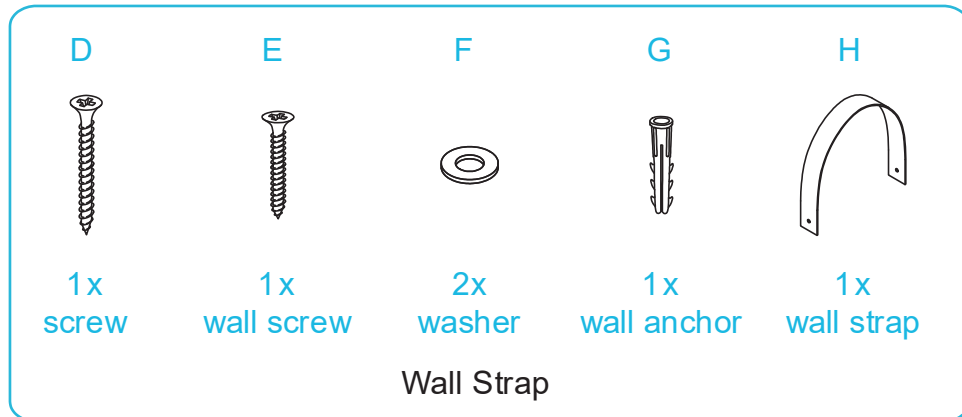
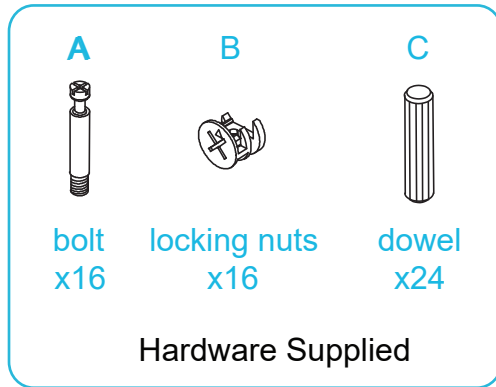


Alexandria Change Table

Assembly Instructions

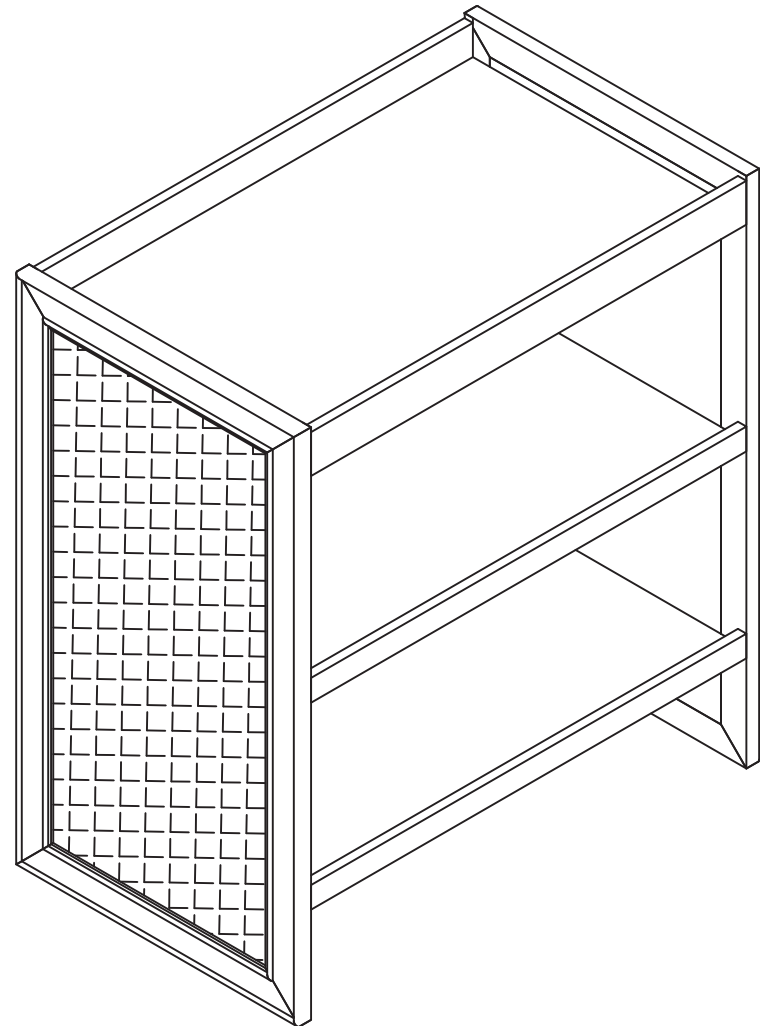
Thank you for your purchase.
Please follow the instructions below for correct assembly.

mocka



Phillips & Flathead screwdrivers required.

For quicker assembly, we recommend the use of a power drill on a low-speed setting.

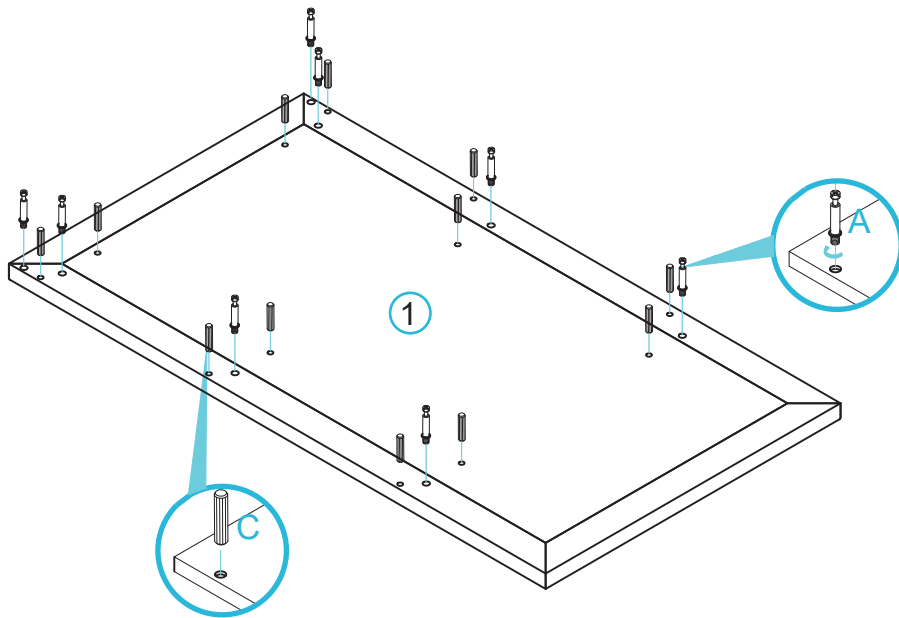


Alexandria Change Table

Assembly Instructions

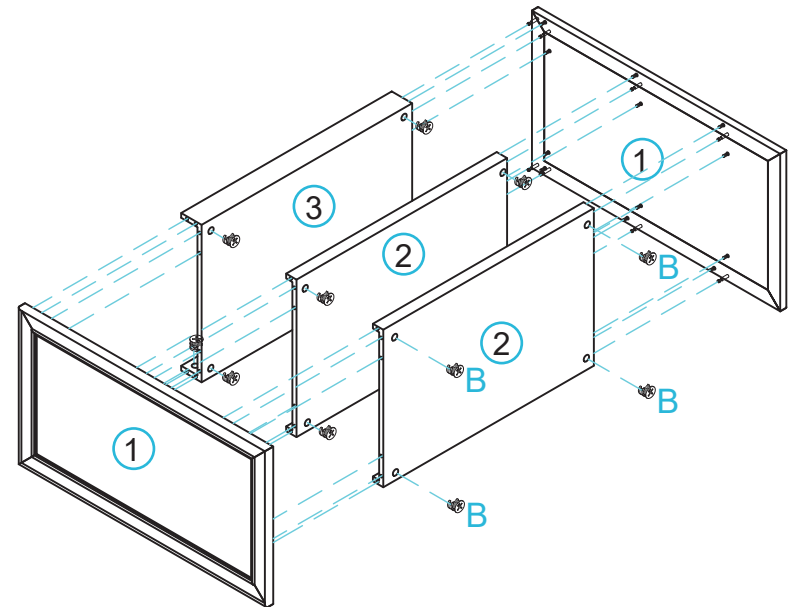
mocka

1 x2



Attach 6 x dowels (C) and 6 x locking nuts (A) to panel [1] as shown. Tighten with a screwdriver.

2



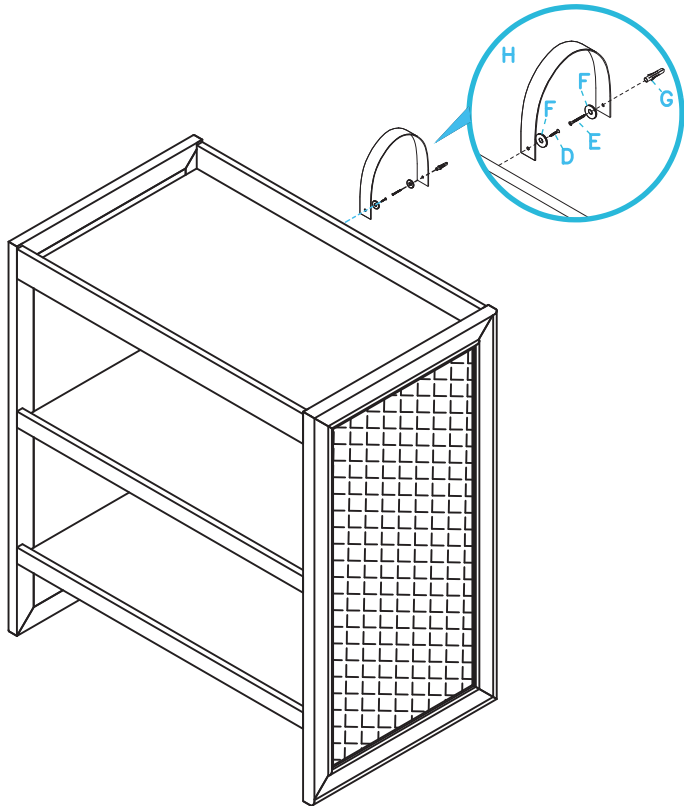
Attach panels [1] to panels [2] and panel [3] and secure with 12 x locking nuts (B). Tighten with a screwdriver.

Alexandria Change Table

Assembly Instructions

mocka

3



Once assembled lift furniture into place, do not drag.
Attach wall strap (H) to panel [2] with 1x washer (F) and 1x screw (D).
Use a drill to create a small hole lining up with the safety strap (H).
Fasten to wall using 1x wall anchor (G), 1x washer (F) and 1x wall screw (E).
Ensure unit is balanced and steady before use. You're done, enjoy!