





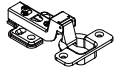

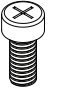
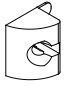

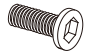
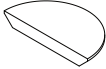

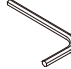








Eclipse Entertainment Unit

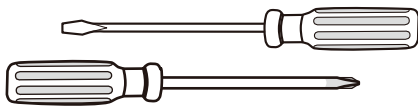
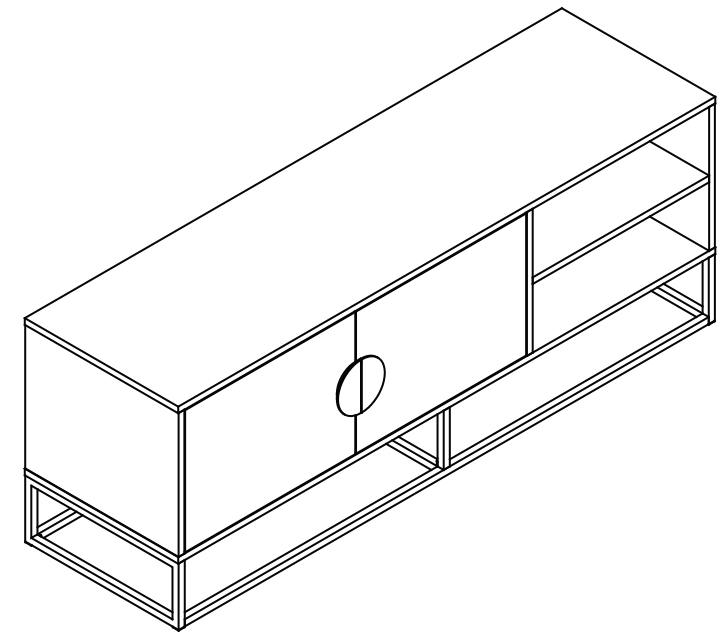
Thank you for your purchase.
Please follow the instructions below for correct assembly

A  big dowel x16	B  screw x6	C  bolt x10	D  locking nut x 10	E  screw x10	F  screw x24	G  hinge x4	H  screw x2
I  height adjuster x2	J  wedge x8	K  screw x8	L  bolt x10	M  handle x2	N  handle screw x4	O  Allen Key x1	P  dowel x4

Hardware Supplied

V  safety strap x1	W  screw x1	X  wall anchor x1	Y  wall screw x1	Z  washer x2
--	---	---	--	--

Wall Strap



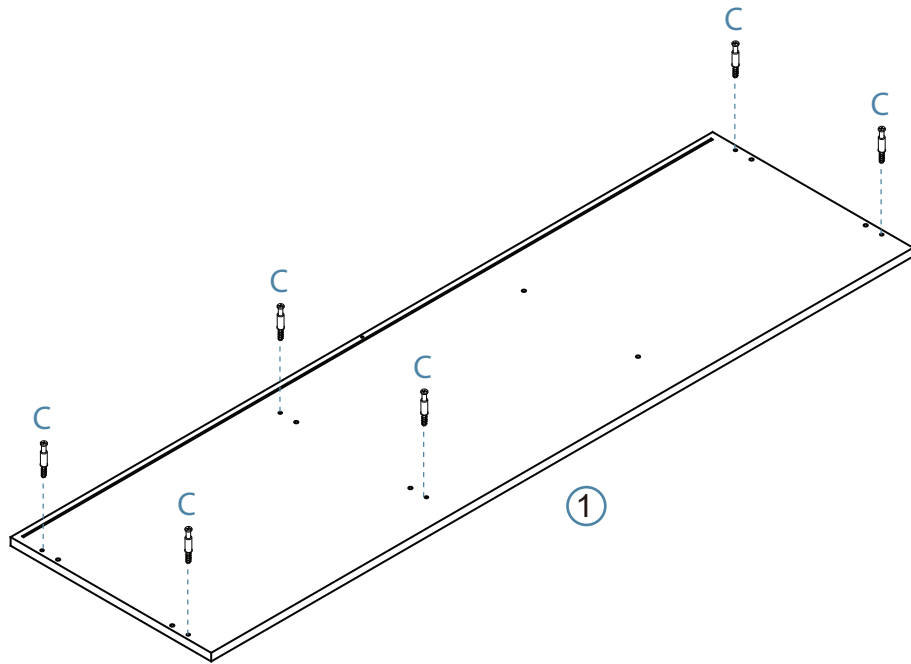
Phillips & Flathead screwdrivers

For quicker assembly, we recommend the use of a power drill on a low-speed setting.

Eclipse

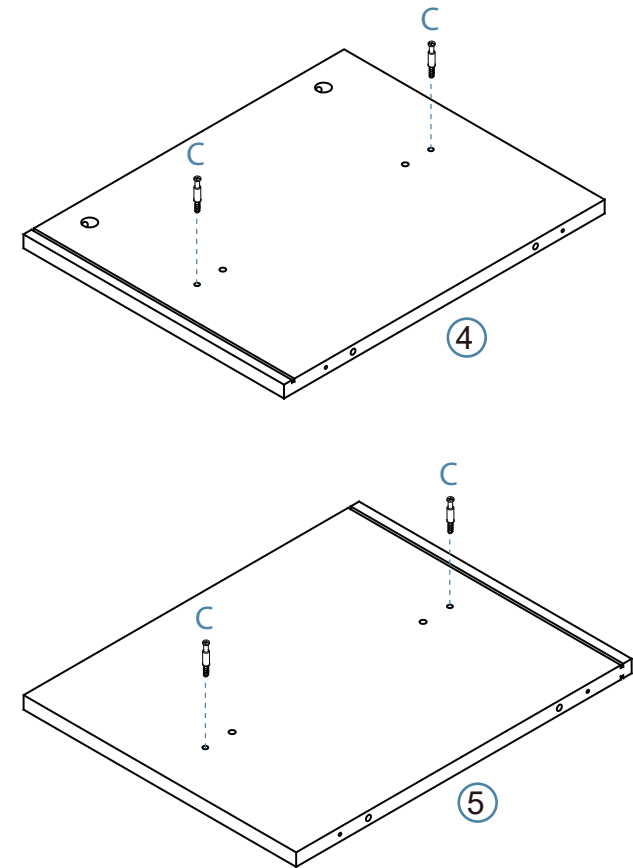
Entertainment Unit

1



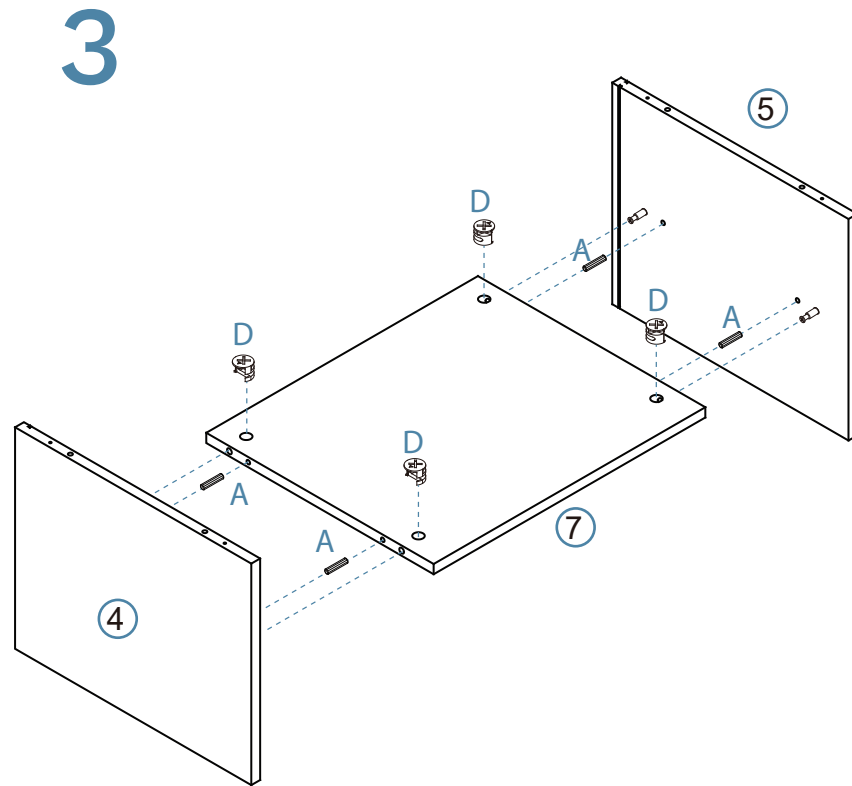
Insert 6x bolts (C) into panel [1] and tighten with a screwdriver.

2

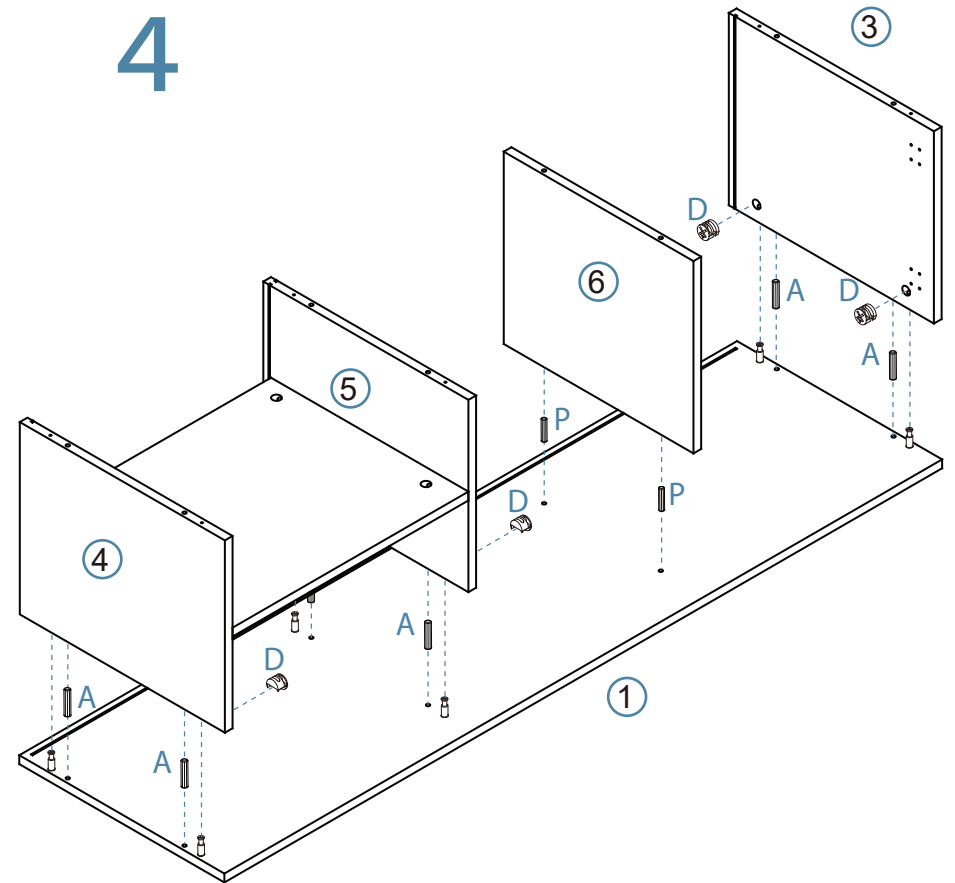


Insert 4x bolts (C) into panels [4] and [5]. Tighten with a screwdriver.

Eclipse Entertainment Unit



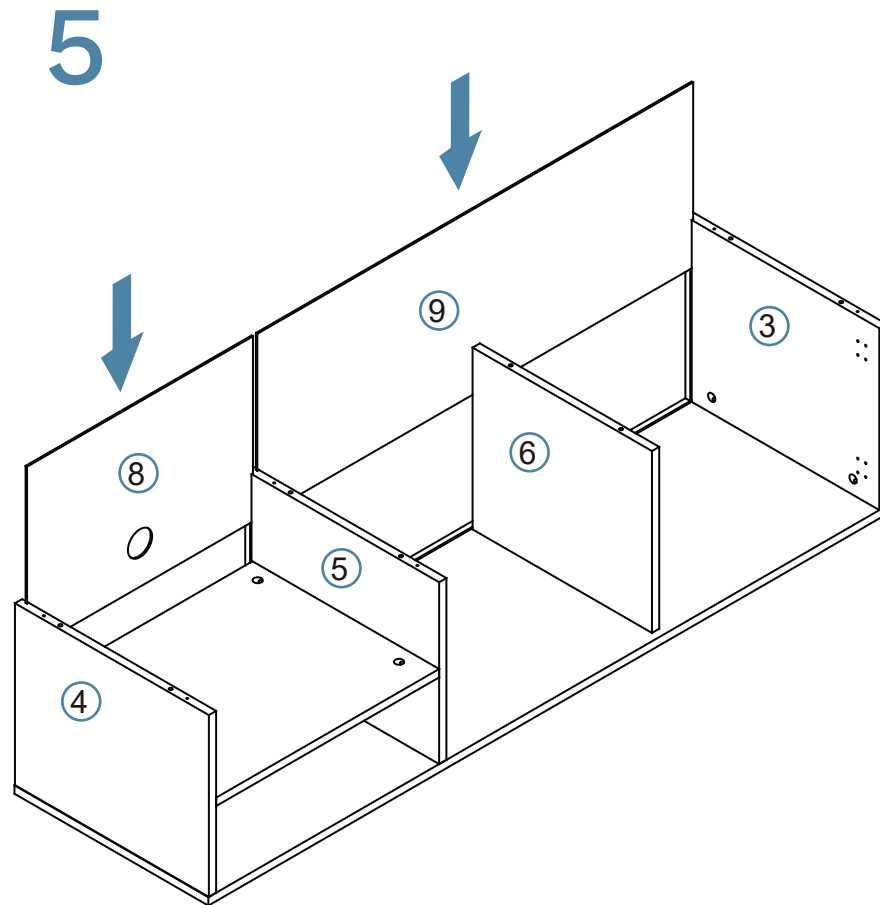
Attach panels [4] and [5] to panel [7] with 4x big dowels (A) and secure with 4x locking nuts (D). Tighten with a screwdriver.



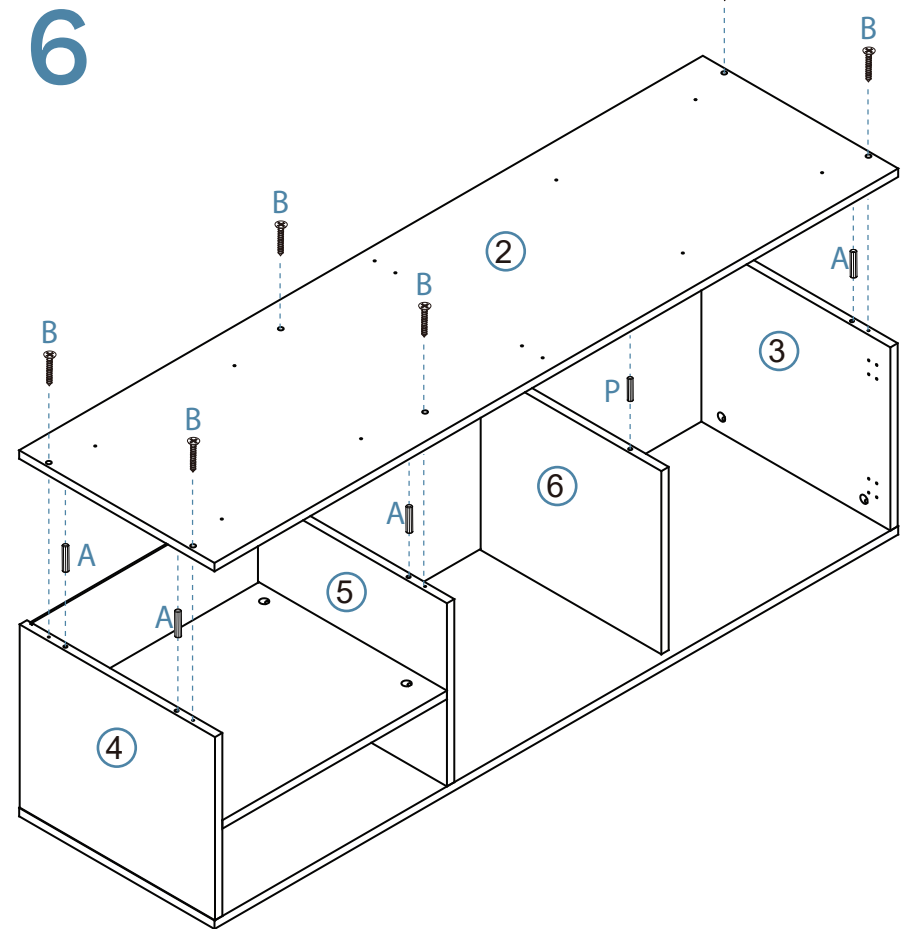
Attach panels [3], [4], [5] and [6] to panel [1] with 6x big dowels (A) and 2x dowels (P) and secure with 6x locking nuts (D). Tighten with a screwdriver.

Eclipse

Entertainment Unit



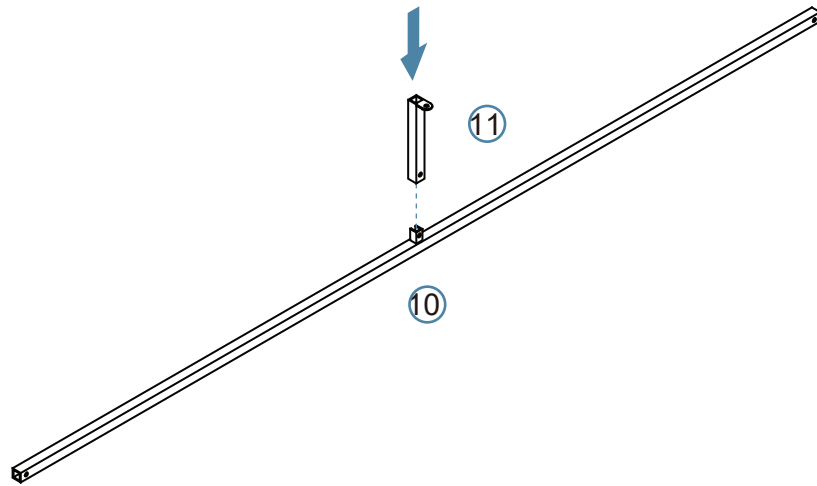
Slide panels [8] and [9] down along the grooves between panels [3], [4] and [5] to form the back of the unit as shown.



Attach panel [2] to panels [3], [4], [5] and [6] with 6x big dowels (A) and 2x dowels (P) and secure with 6x screws (B). Tighten with a screwdriver.

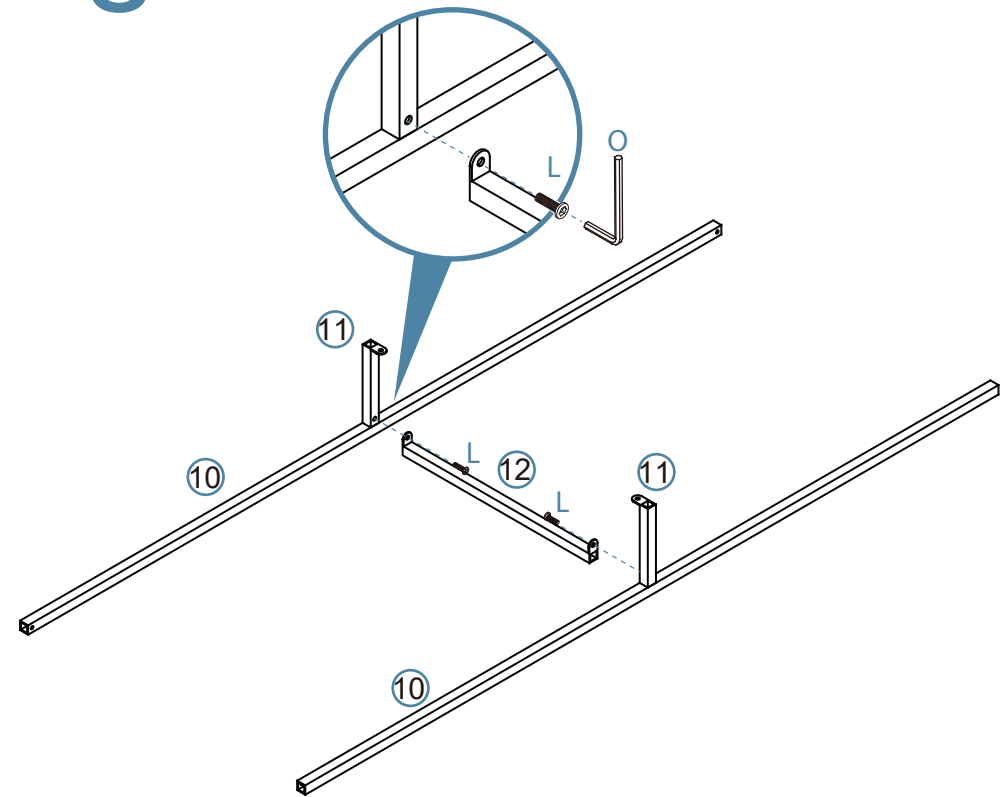
Eclipse Entertainment Unit

7_{x2}



Attach panel [11] to panel [10].

8

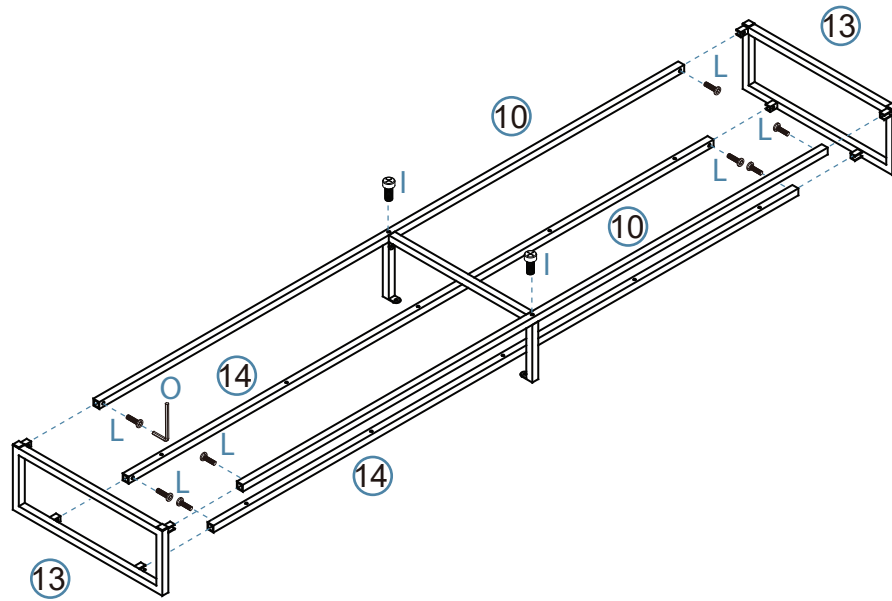


Attach panels [10] and [11] to panels [12] and secure with 2x bolts (L). Tighten with an Allen Key (O).

Eclipse

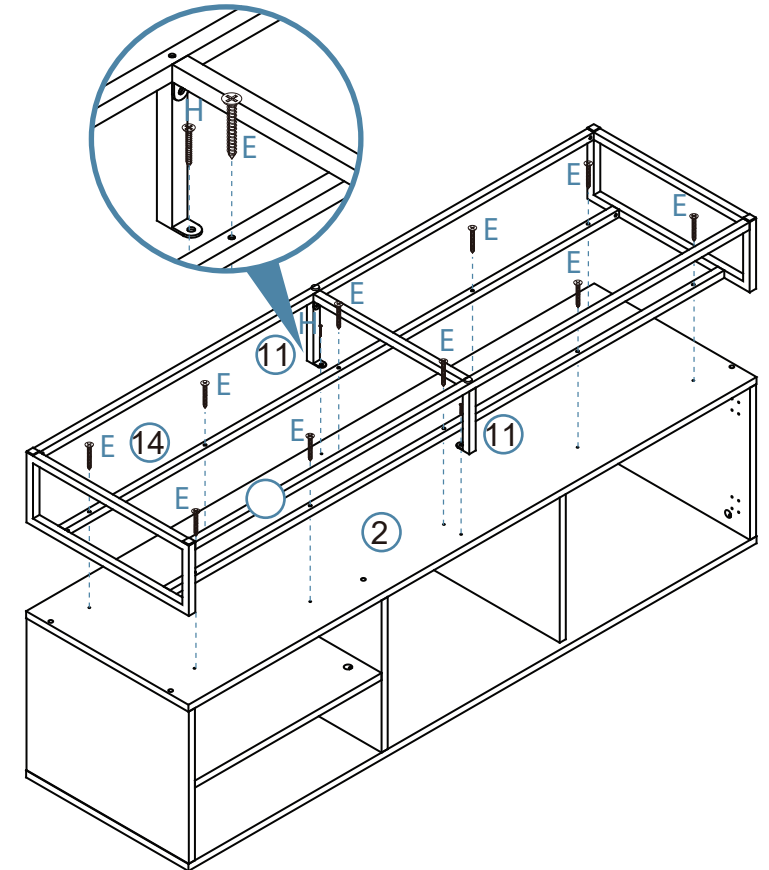
Entertainment Unit

9



Attach panels [13] to panels [10] and [14] and secure with 8x bolts (L). Tighten with an Allen Key (O). Attach 2x height adjuster (I) to panels [10] as shown.

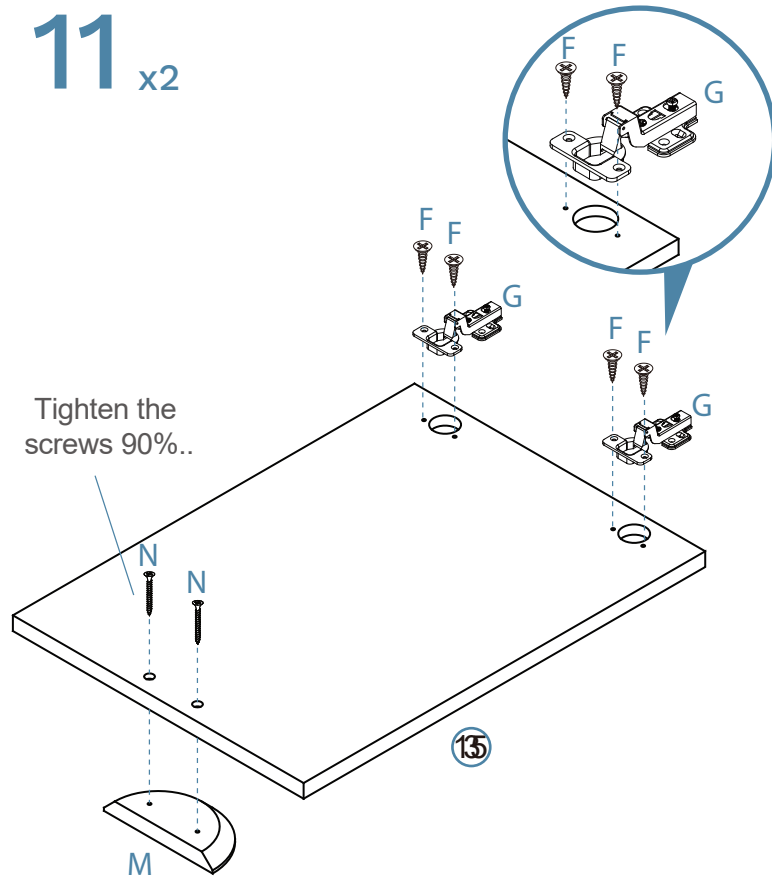
10



Attach panels [14] to panel [2] and secure with 10x screws (E). Attach panels [11] to panel [2] and secure with 2x screws (H). Tighten with a screwdriver.

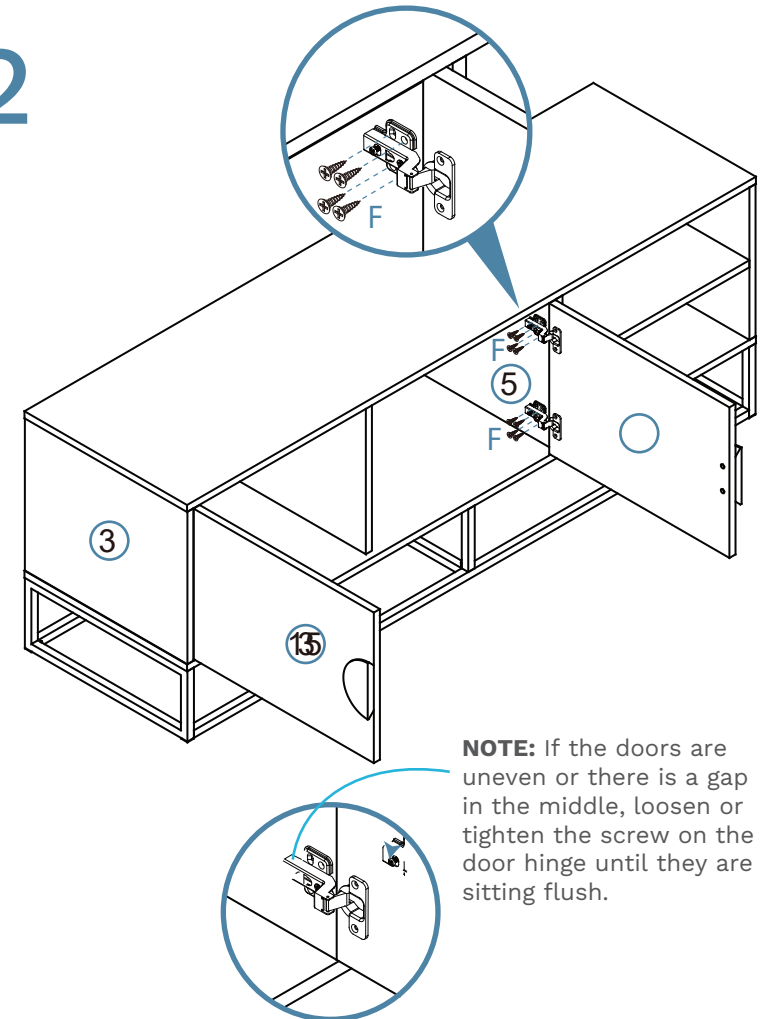
Eclipse Entertainment Unit

11 x2



Attach 2x hinges (G) to panel [15] using 4x screws (F), and attach 1x handle (M) to panel [15] and secure with 2x screw (N). Tighten with a screwdriver.

12



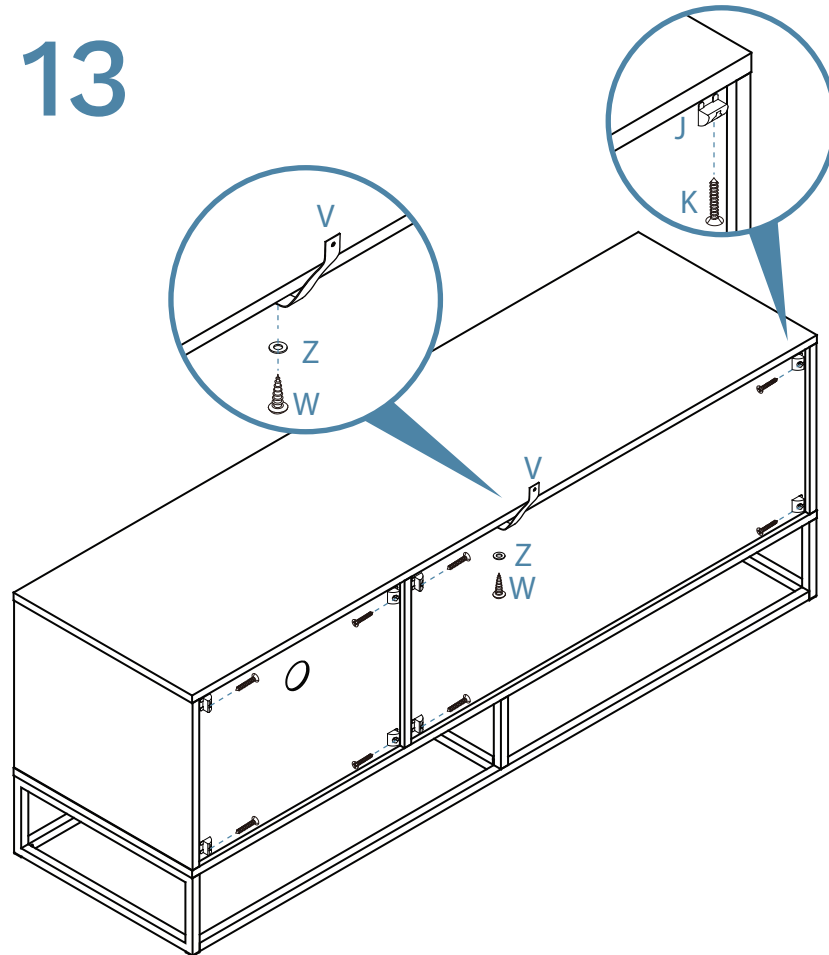
NOTE: If the doors are uneven or there is a gap in the middle, loosen or tighten the screw on the door hinge until they are sitting flush.

Attach hinges on panels [15] to panels [3] and [5] and secure with 16x screws (F). Tighten with a screwdriver. Ensure the doors open and close easily.

Eclipse

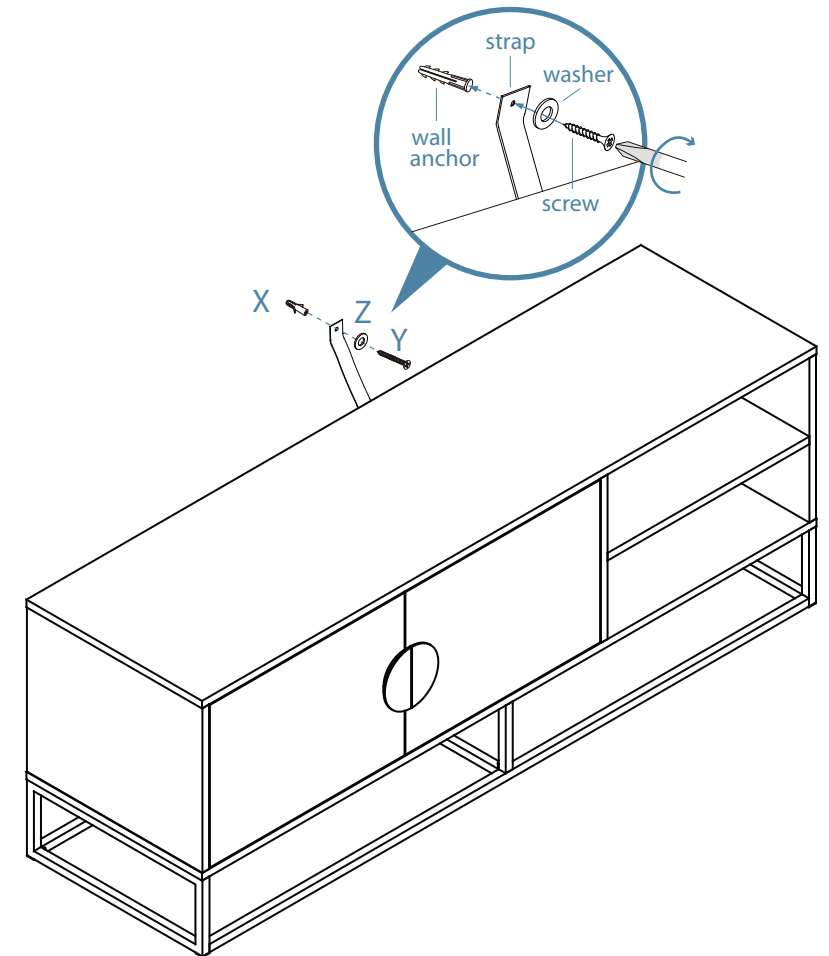
Entertainment Unit

13



Attach 8x wedges (J) into the corners of the back of the unit and secure with 8x screws (K). Tighten with a screwdriver. Attach 1x safety strap (V) to the top of the back side of the unit as shown using 1x washer (Z) and 1x screw (W). Tighten with a screwdriver.

14

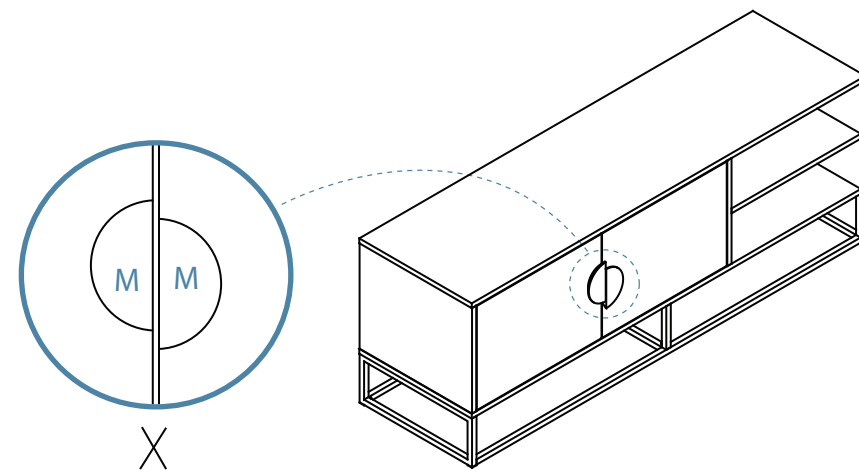
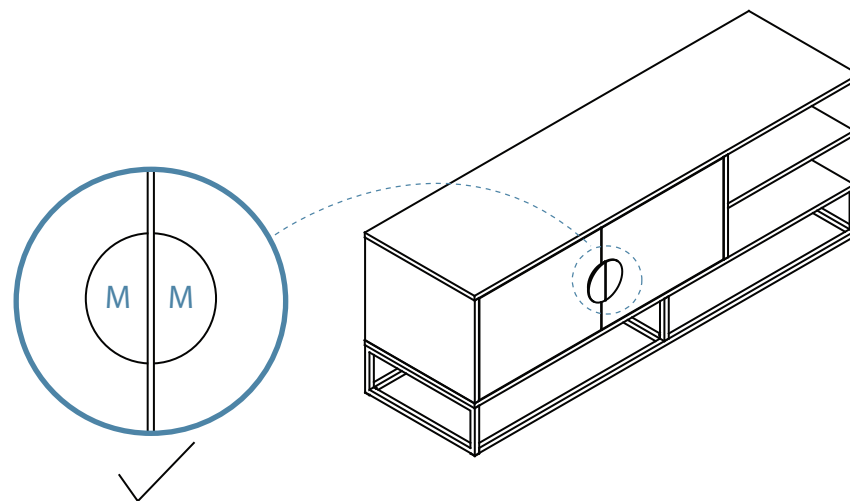
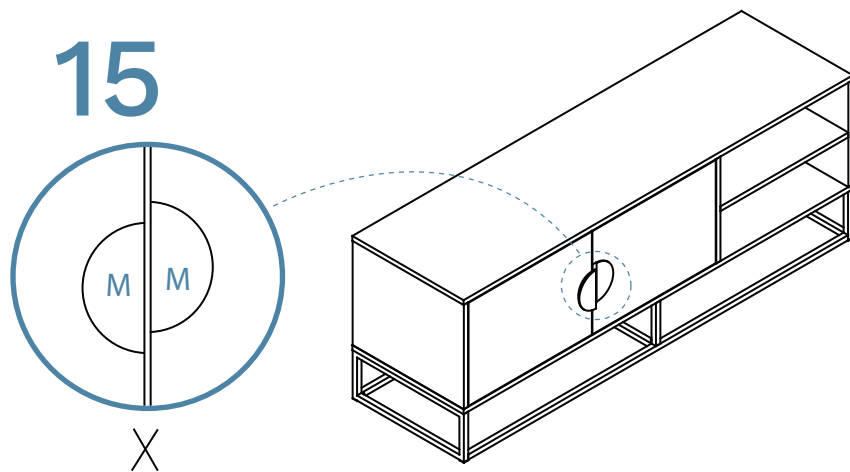


Once assembled lift furniture into place, do not drag. Use a drill to create a small hole lining up with the top of the safety strap (V). Fasten to the wall using 1x washer (Z), 1x wall anchor (X) and 1x wall screw (Y). Ensure unit is balanced and steady before use. You're done, enjoy!

Eclipse

Entertainment Unit

15



After installation, if the two handles are not aligned, loosen the screws in the back, adjust the two handles to align them, and then tighten the screws back up.