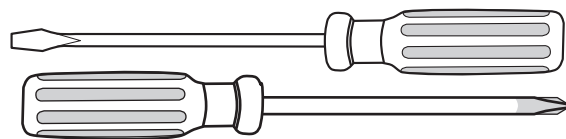
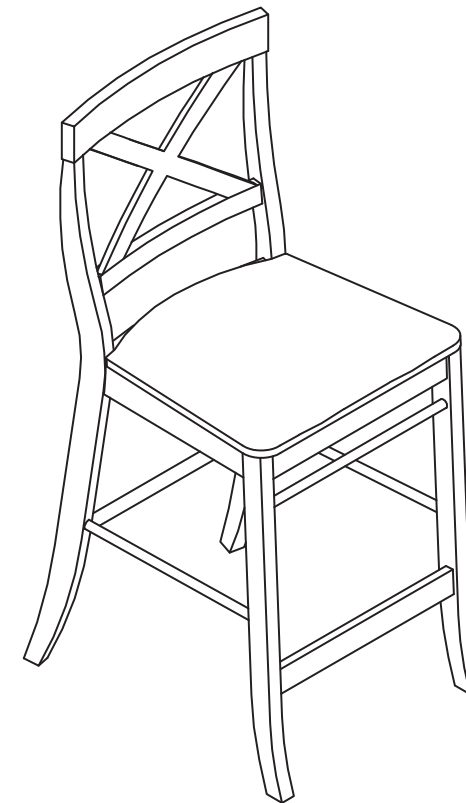
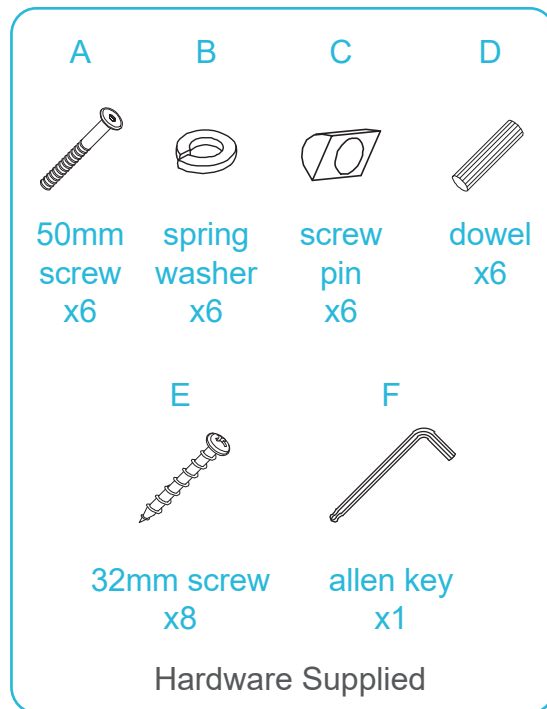


# Hamptons Barstool

## Assembly Instructions

Thank you for your purchase.  
Please follow the instructions below for correct assembly.

# mocka



Phillips & Flathead screwdrivers required.

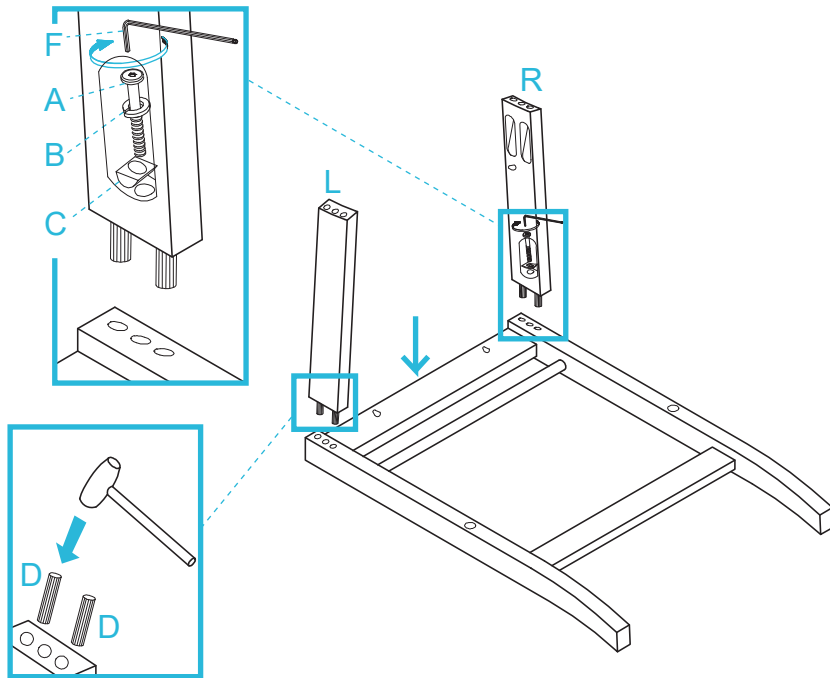
**For quicker assembly, we recommend the use of a power drill on a low-speed setting.**

# Hamptons Barstool

## Assembly Instructions

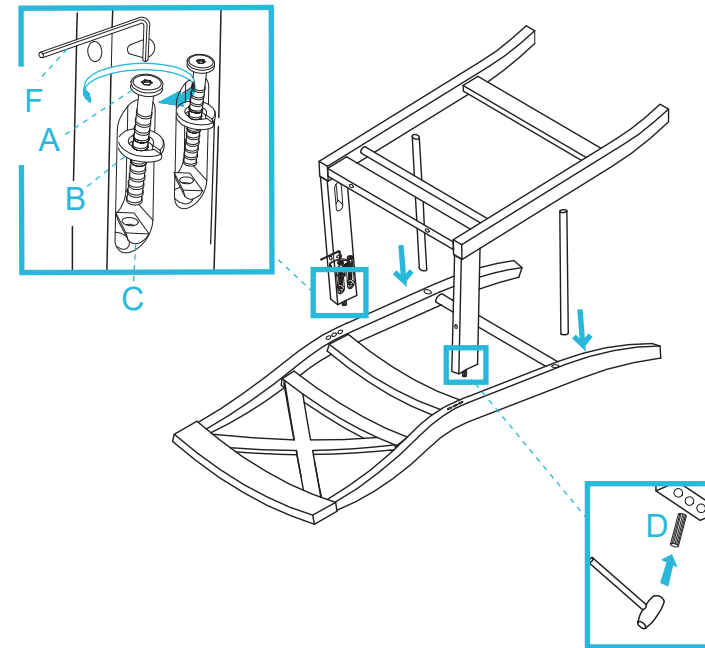
mocka

1



Insert 4 x dowels (D) into left and right legs as shown. Attach legs to frame and secure with 2 x screws (A), 2 x spring washers (B) and 2 x screw pins (C). Tighten with an allen key (F).

2



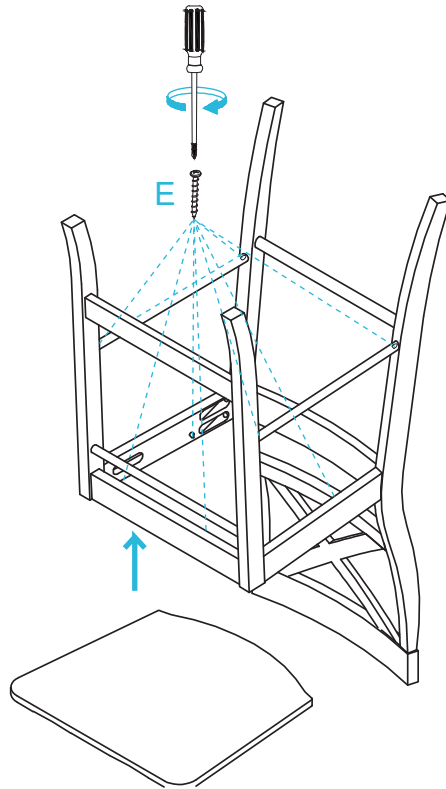
Insert 2 x dowels (D) into left and right arms as shown. Insert 2 x guides into frame as shown. Attach base to frame and secure with 4 x screws (A), 4 x spring washers (B) and 4 x screw pins (C). Tighten with an allen key (F).

# Hamptons Barstool

## Assembly Instructions

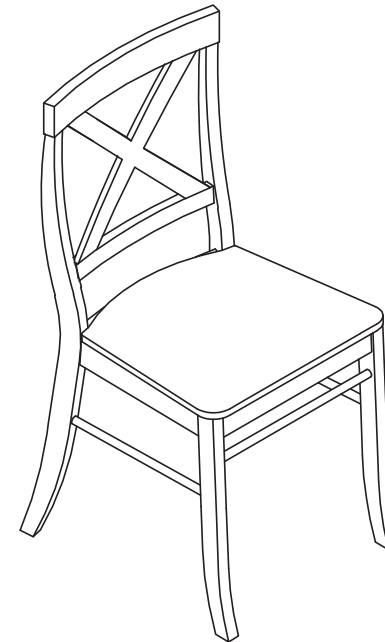
mocka

3



Attach seat to frame as shown and secure with 8 x screws (E). Tighten with a screwdriver.

4



Once assembled lift furniture into place, do not drag. Ensure unit is balanced and steady before use. You're done, enjoy