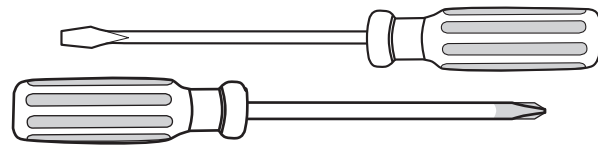
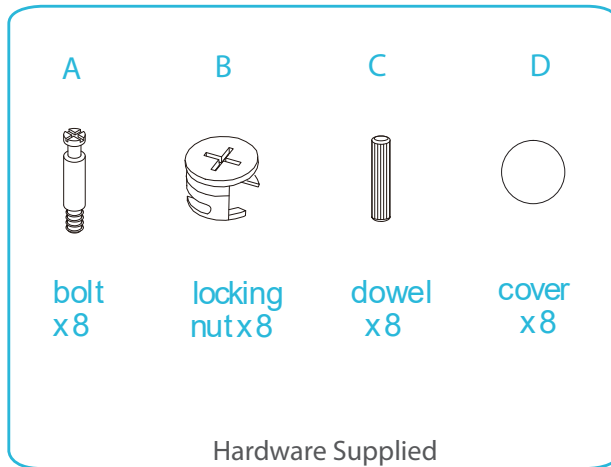


# Hamptons Toy Box

## Assembly Instructions

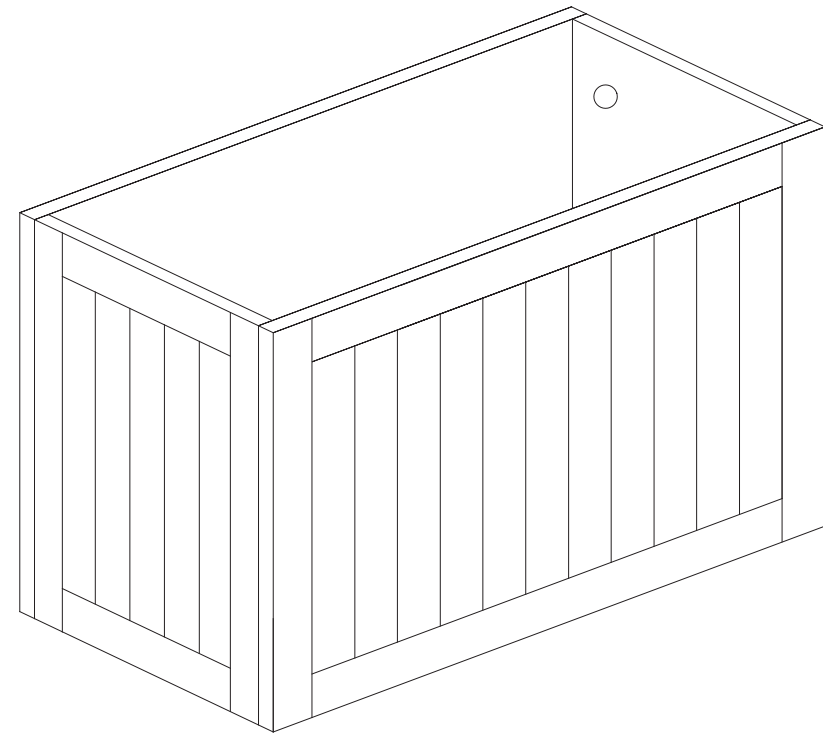
Thank you for your purchase.  
Please follow the instructions below for correct assembly.

# mocka



Phillips & Flathead screwdrivers required

For quicker assembly, we recommend the use of a power drill on a low-speed setting.



\*We recommend using a Flathead screwdriver to tighten all locking nuts 100% before first use.  
Please clear any loose wood from the locking nut holes before inserting the nut to ensure it locks 100%.

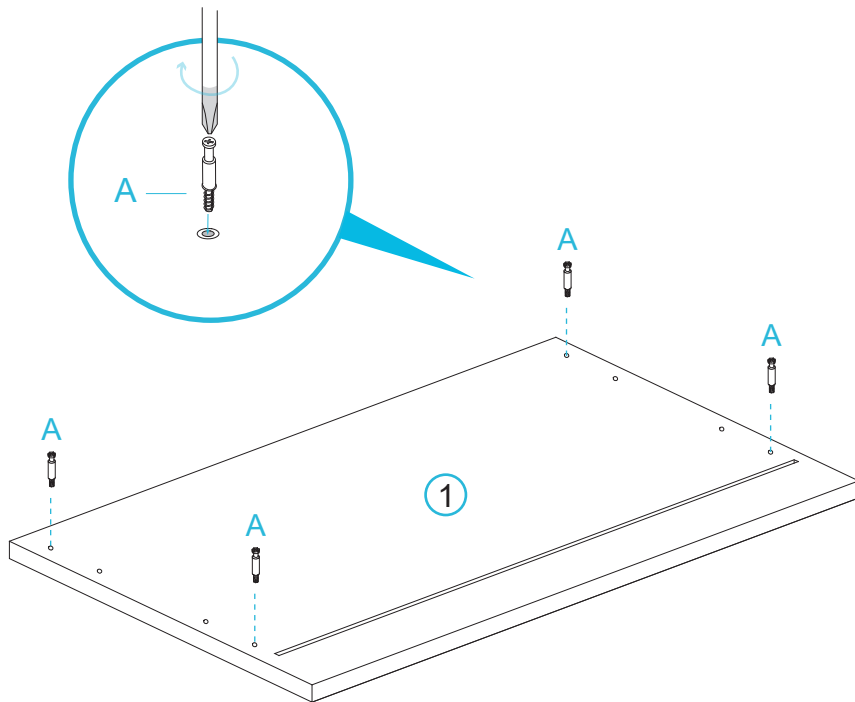
# Hamptons Toy Box

## Assembly Instructions

mocka

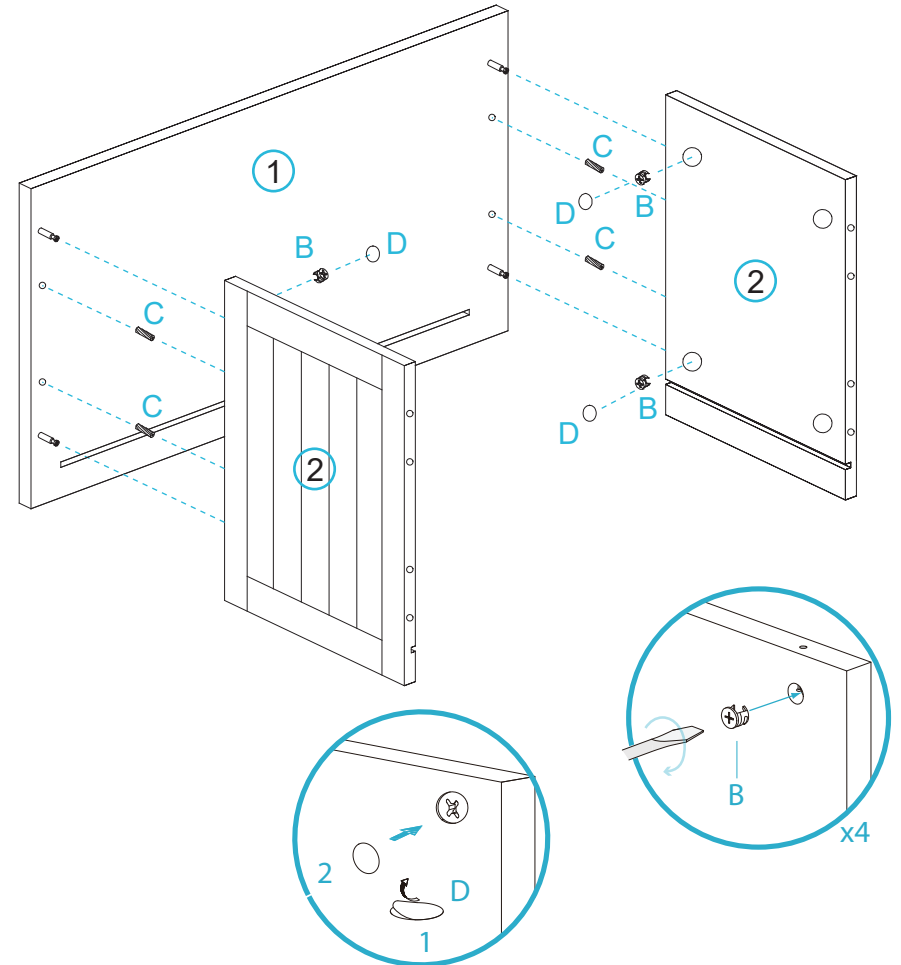
Thank you for your purchase.  
Please follow the instructions below for correct assembly.

### 1 Long sides panel (x2)



Secure 8 x bolts (A) .

### 2



Insert 4 x locking nut (B) into panels [2] . Attach 4 x dowel (C) to panel [1] and [2]. Cover locking nuts (B) with 4 x covers (D).

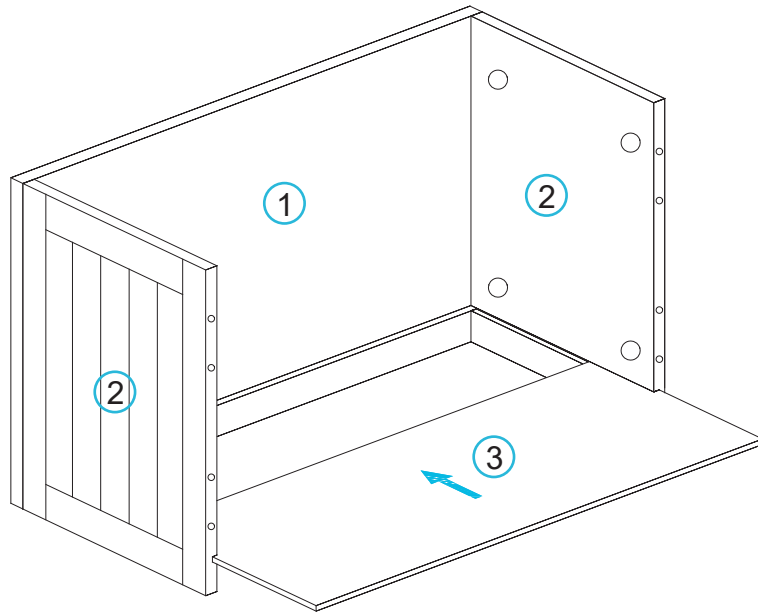
# Hamptons Toy Box

## Assembly Instructions

mocka

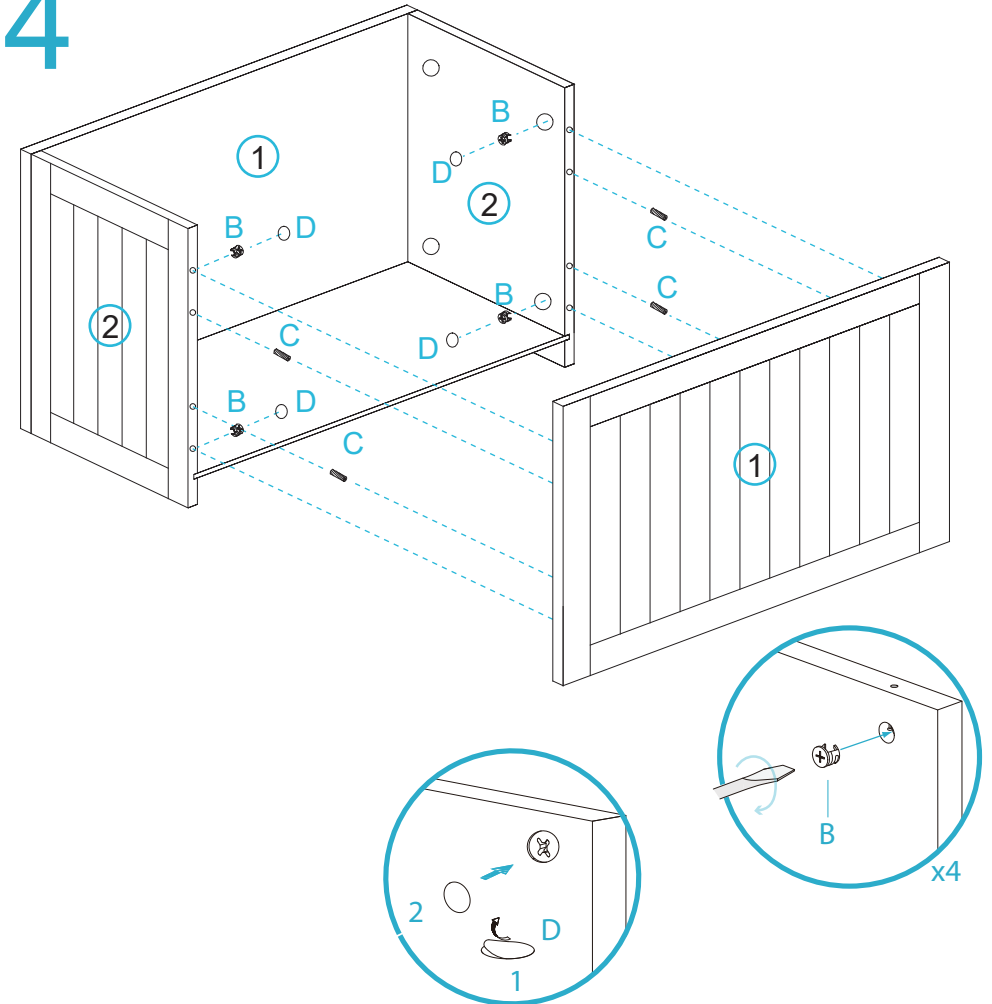
Thank you for your purchase.  
Please follow the instructions below for correct assembly.

3



Slide panel [3] between the grooves on panels [1] and [2] to form the bottom of the unit as shown.

4



Insert 4 x locking nut (B) into panels [2]. Attach 4 x dowel (C) to panel [1] and [2]. Cover locking nuts (B) with 4 x covers (D).