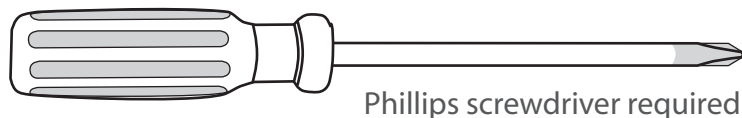
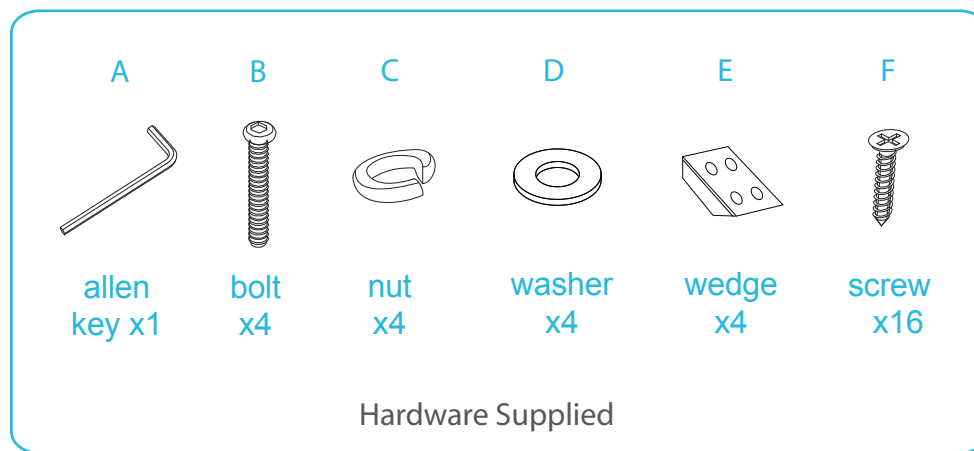


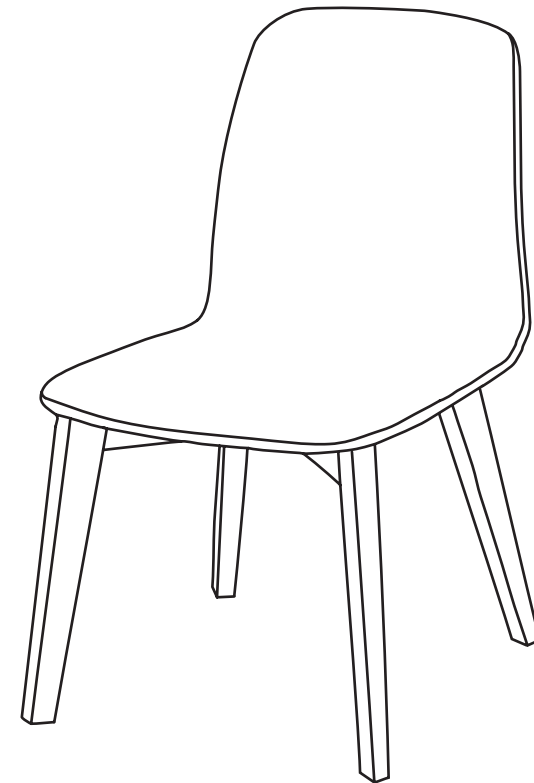
Austin Chair Harper Chair Adele Chair

Assembly Instructions

Thank you for your purchase.
Please follow the instructions below for correct assembly.



mocka

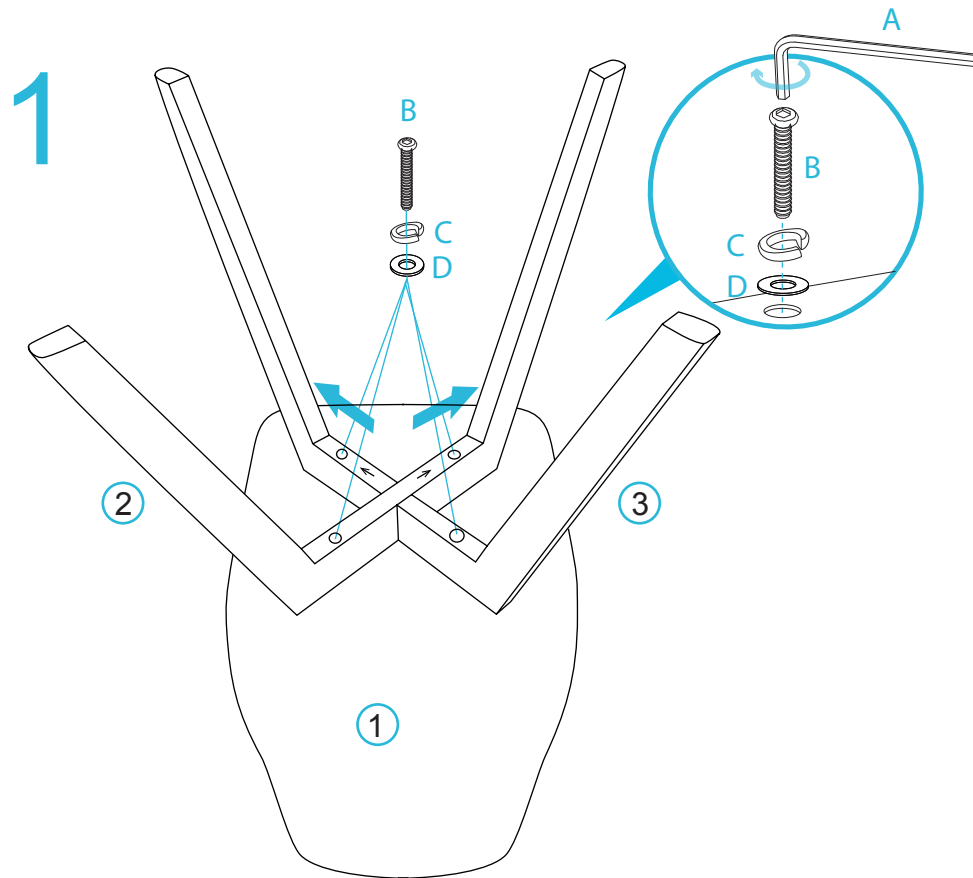


Austin Chair Harper Chair Adele Chair

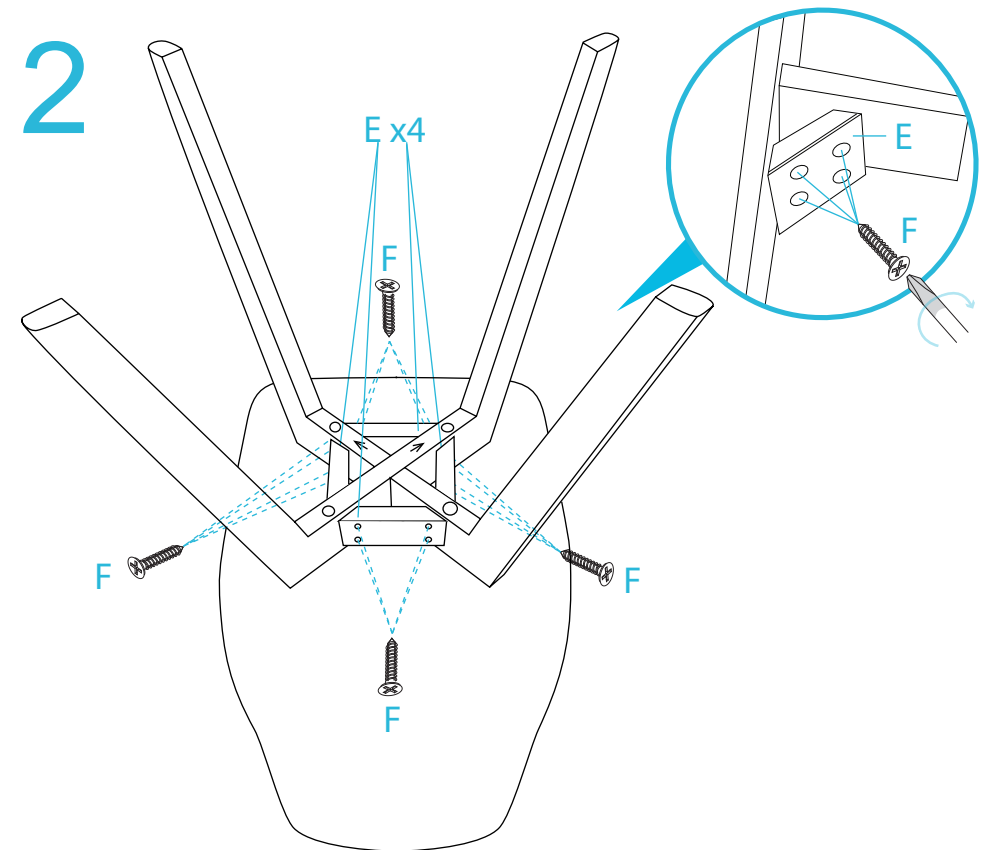
Assembly Instructions

mocka

Please note that there are no pilot holes on the legs, but wedges are to sit flush as shown. Just put the screw in and start turning and it will find where it needs to go, or use a drill if you have one handy.



Attach left legs [2] and right legs [3] to the underside of the chair seat [1] using 4x washers (D), 4x nuts (C) and 4x bolts (B). Tighten with the allen key (A).



Insert 4x wedges (E) between the legs as shown and secure with 16x screws (F). Tighten with a screwdriver. You're done, enjoy!