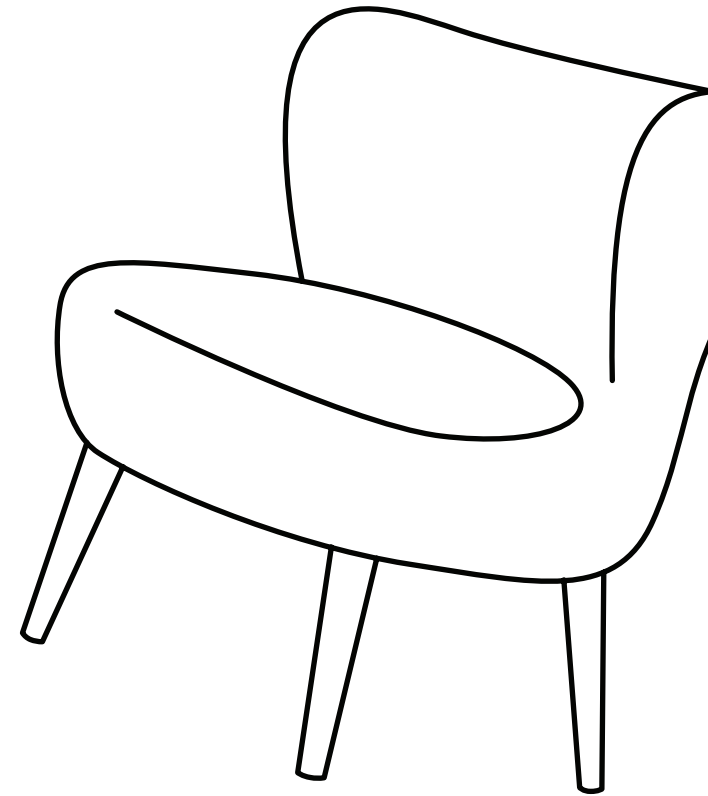
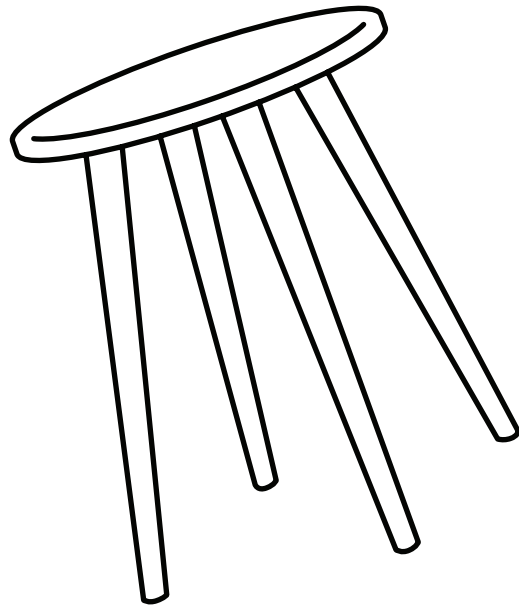


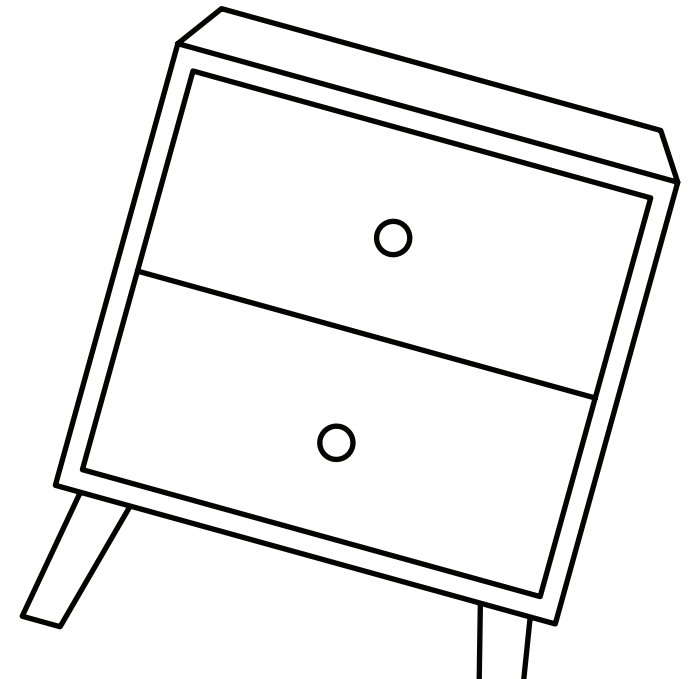
Hello,
I've arrived!



Now that I'm here you are only one
flat-pack away from transforming
your home.



Mocka.



Thank you for supporting us.

We believe design belongs to everyone. From materials and processes to safety testing, production and delivery, we are passionate and committed to bringing you the best possible product so you can create beautifully functional spaces to feel comfortably you.

Here are a few assembly tips before you get started:



Make Time

The first step to all seamless assembly is taking a moment to carefully read through the instructions—you are already on your way to creating a beautifully functional space!



Set The Mood

Put on your favourite playlist, order that pizza and pour yourself a drink to get in the mood!



Tool Check

Layout the instructions, screws and panels to check you have everything you need. A blanket or soft floor rug will help protect your new favourite item from scratches and a drill will speed up the assembly too!



Room Reveal

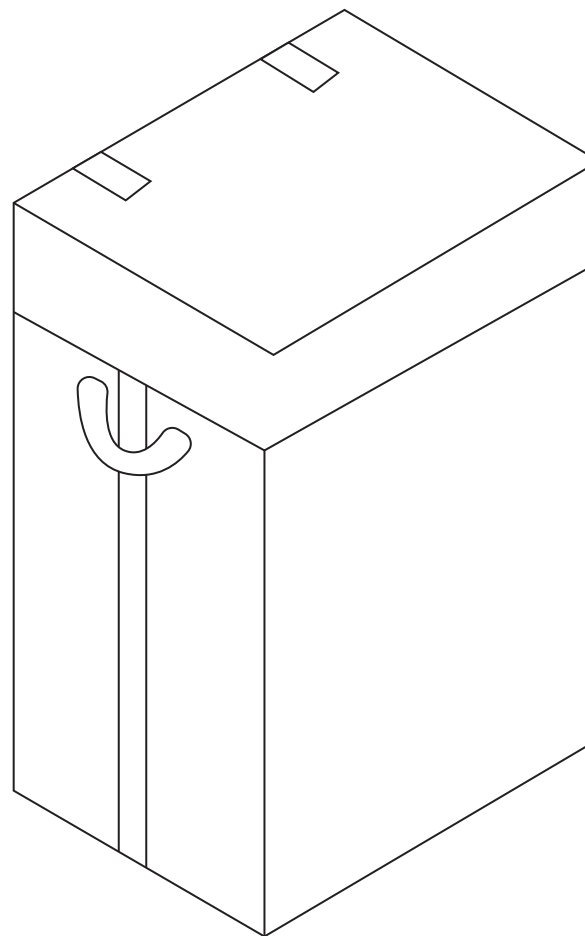
You did it! Take a step back and enjoy the moment. Don't forget to recycle any packaging and share a pic of your room reveal - we love seeing how you transform your home! Tag us @mockaaustralia/@mockaanz

Happy flat-packing!

The Mocka Team

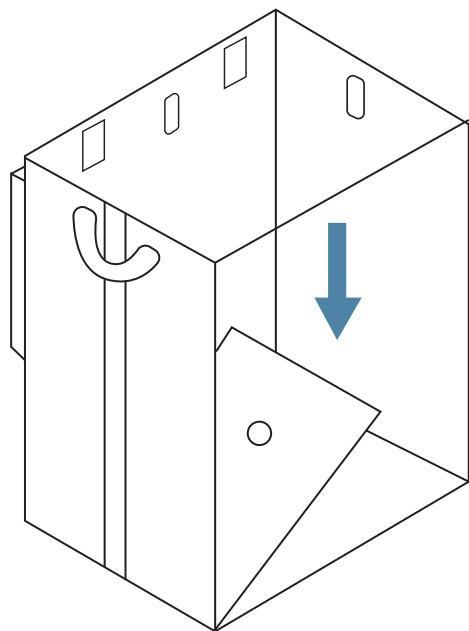
Kata Double Laundry Hamper

Thank you for purchasing Kata Double Laundry Hamper. Please follow the manufacturer's assembly instructions in detail.



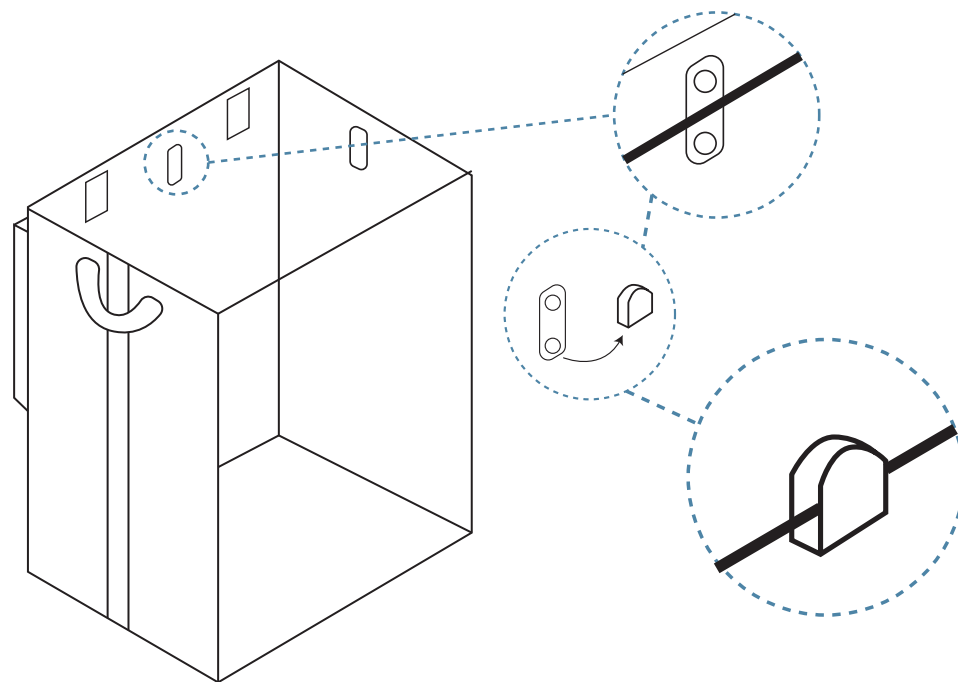
Kata Double Laundry Hamper

1



Open laundry hamper and place the base inside, making sure hamper is straight and squared.

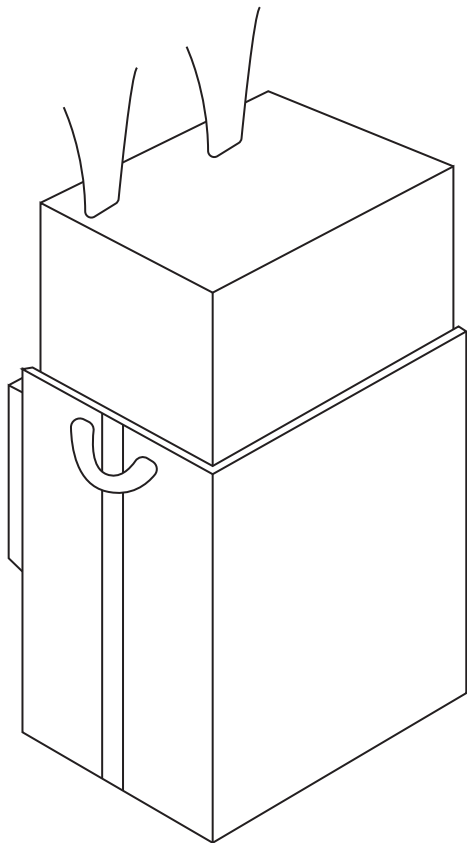
2



Attach the metal ring to the 4x hooks and press down to lock into place.

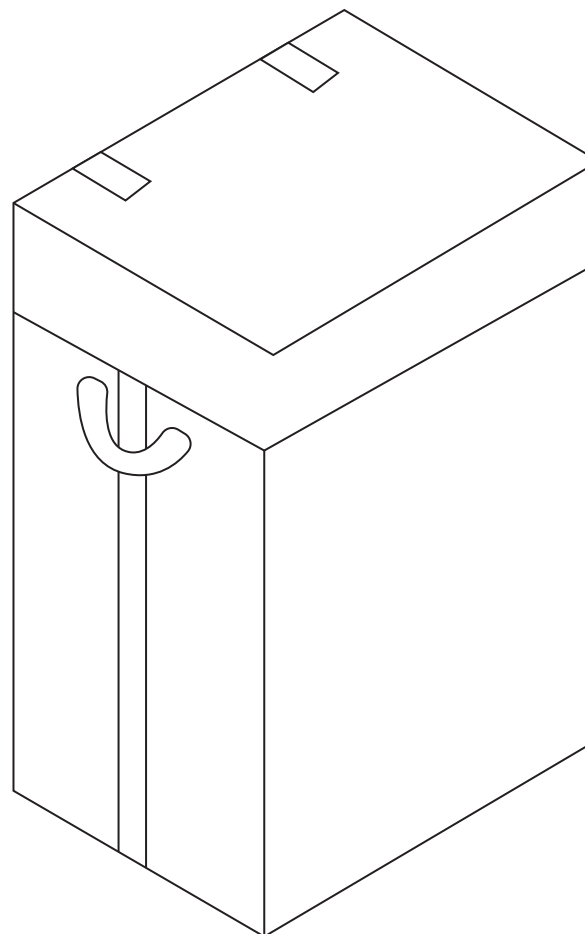
Kata Double Laundry Hamper

3



Place the lining inside and fold over the top of the hamper.

4



Place the lid on top. Lift into your desired location, do not drag. You're done, enjoy!