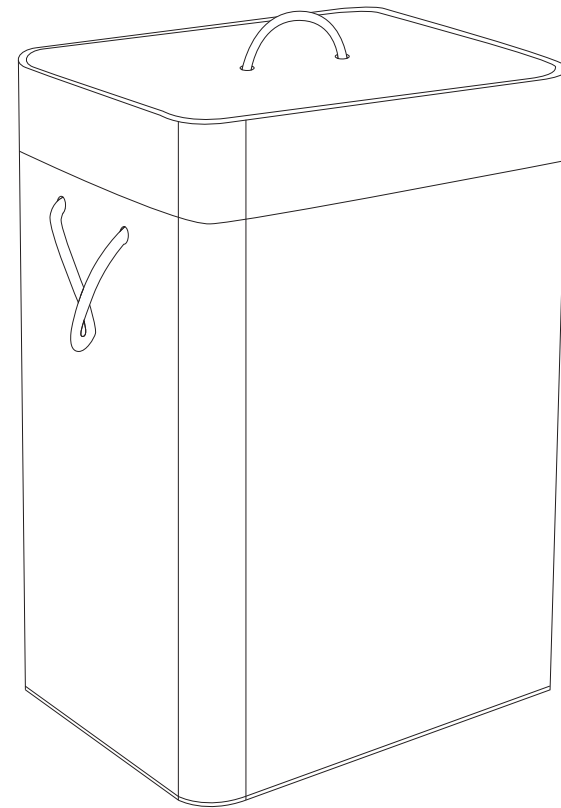


# Kata Laundry Hamper

## Assembly Instructions

Thank you for your purchase.  
Please follow the instructions below for correct assembly.

# mocka

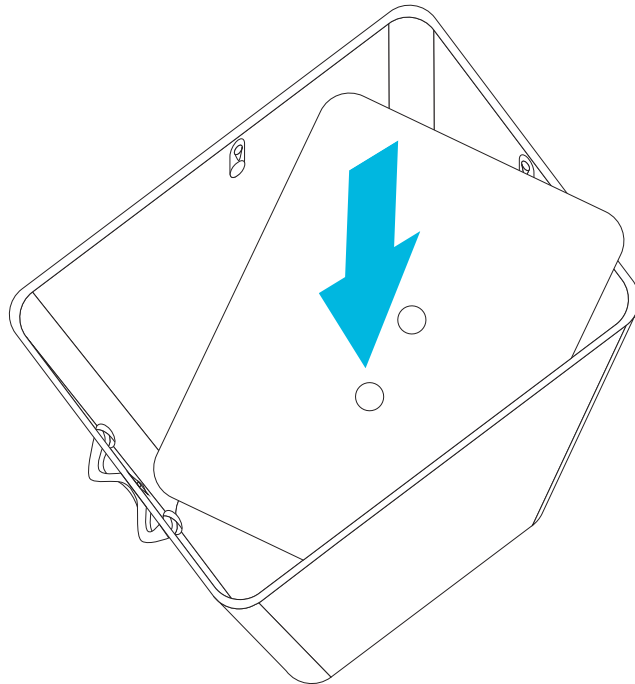


# Kata Laundry Hamper

## Assembly Instructions

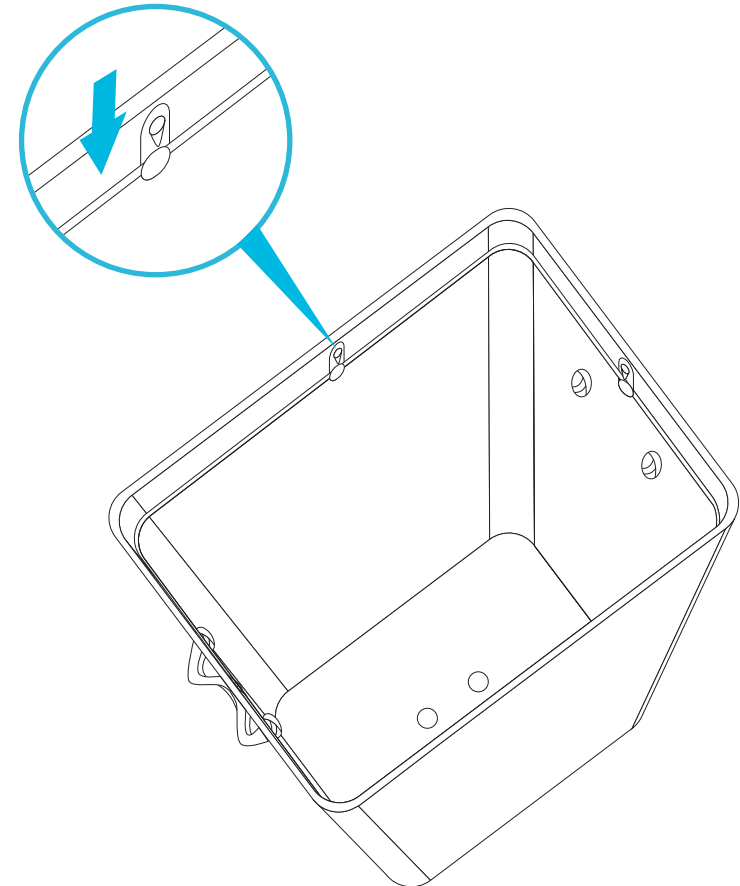
mocka

1



Open laundry hamper and place the base inside, making sure hamper is straight and squared.

2



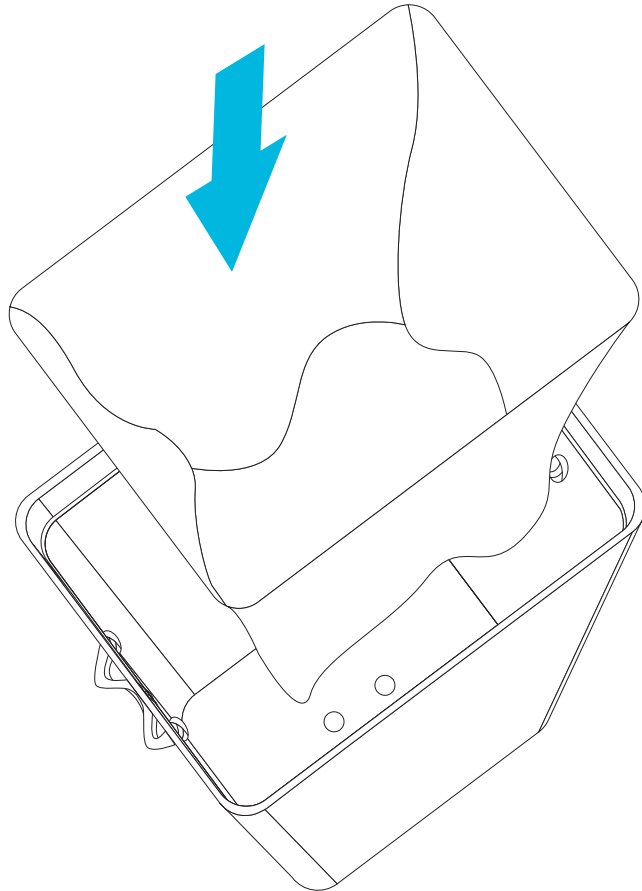
Attach the metal ring to the 4x hooks and press down to lock into place.

# Kata Laundry Hamper

## Assembly Instructions

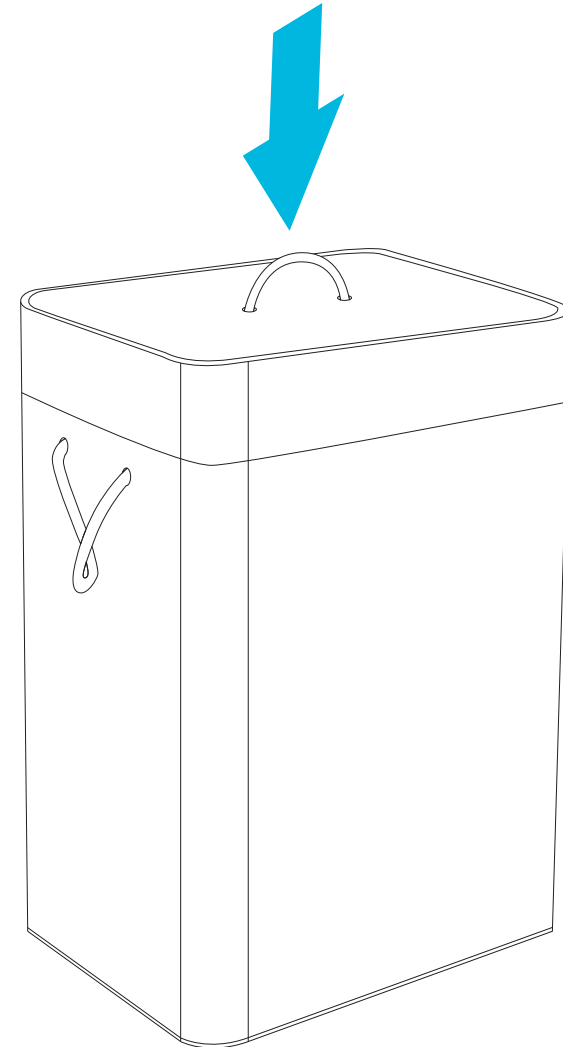
mocka

3



Place the lining inside and fold over the top of the hamper.

4



Place the lid on top. Lift into your desired location, do not drag. You're done, enjoy!