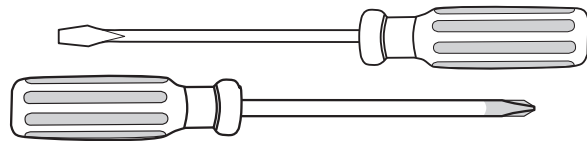
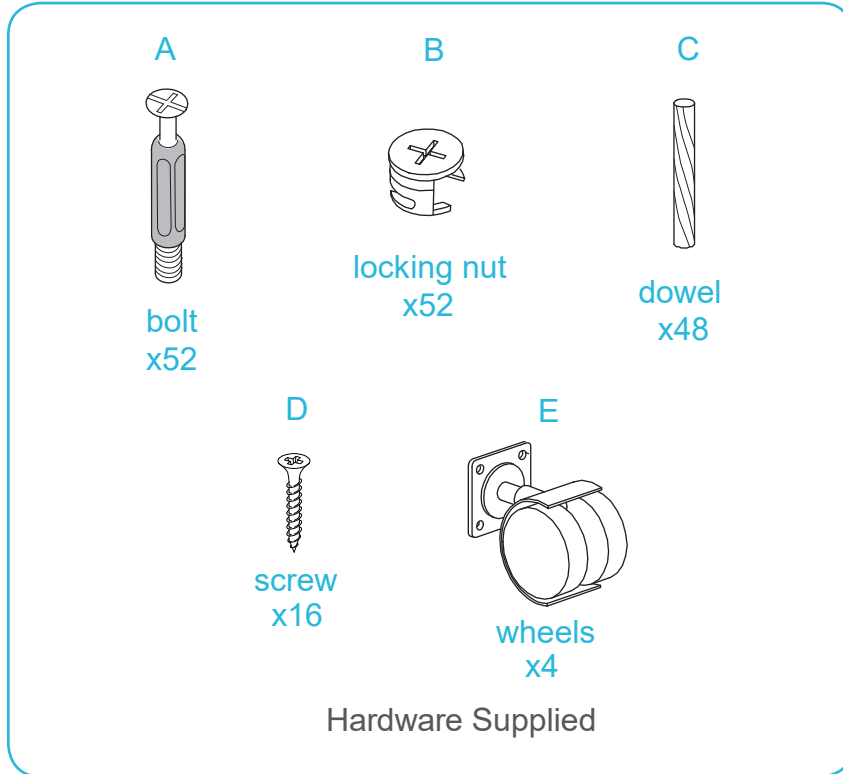


Activity Play Table

Assembly Instructions

mocka

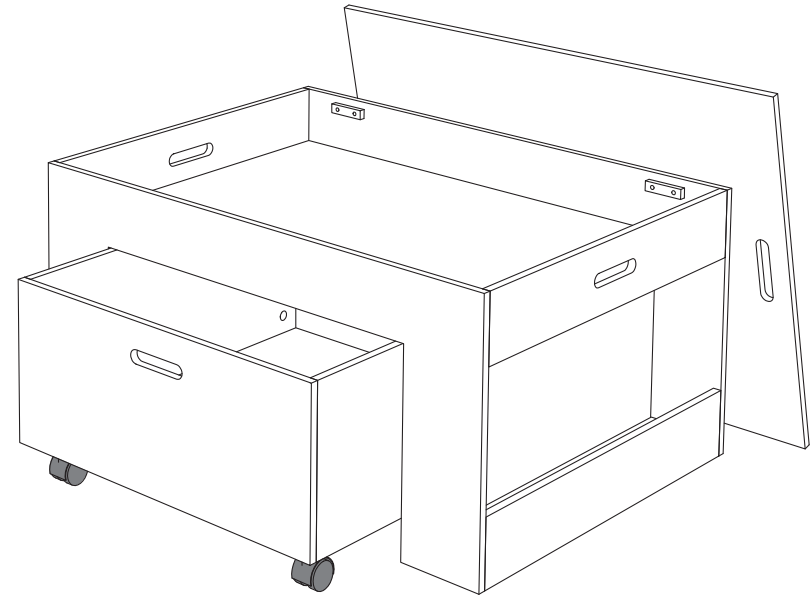
Thank you for your purchase.
Please follow the instructions below for correct assembly.



Phillips screwdriver required

For quicker assembly, we recommend the use of a power drill on a low-speed setting.

*We recommend using a Flathead screwdriver to tighten all locking nuts 100% before first use.
Please clear any loose wood from the locking nut holes before inserting the nut to ensure it locks 100%.

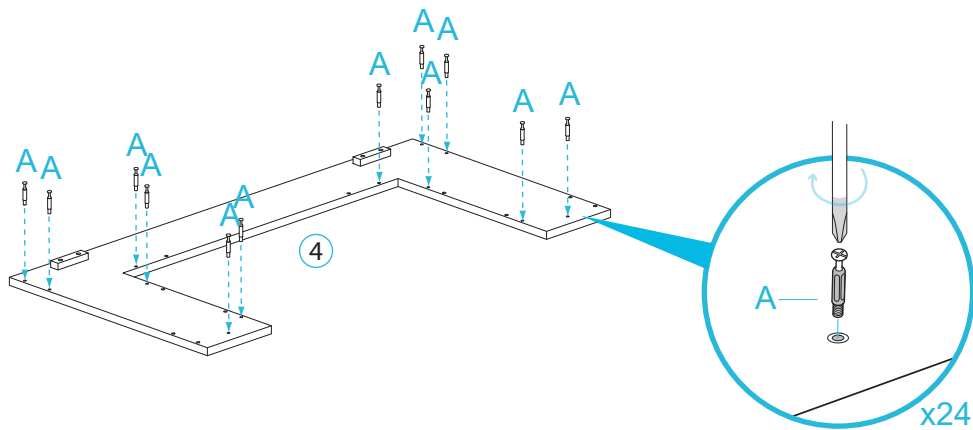


Activity Play Table

Assembly Instructions

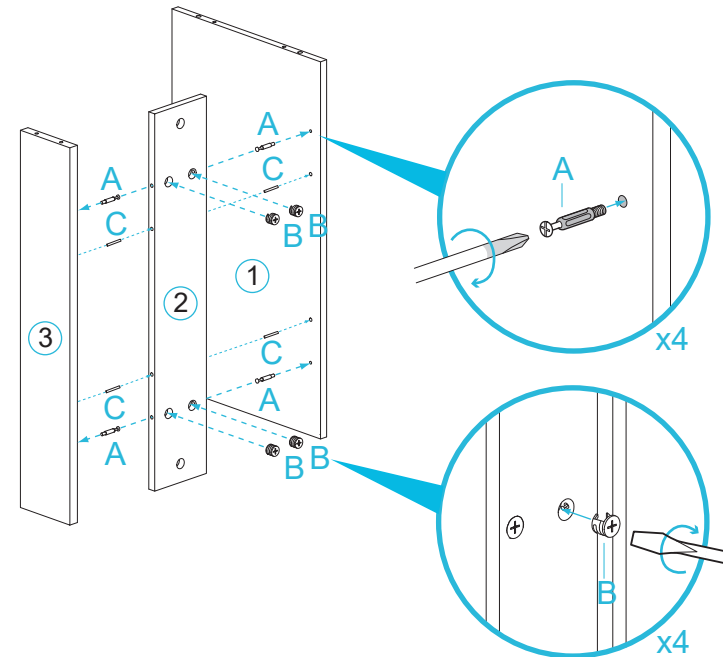
mocka

1 x 2



Begin assembly by screwing in 24x bolts (A) into all corresponding holes as shown in both panels [4] using a Phillips screwdriver. Take care not to overtighten bolts.

2 x 2



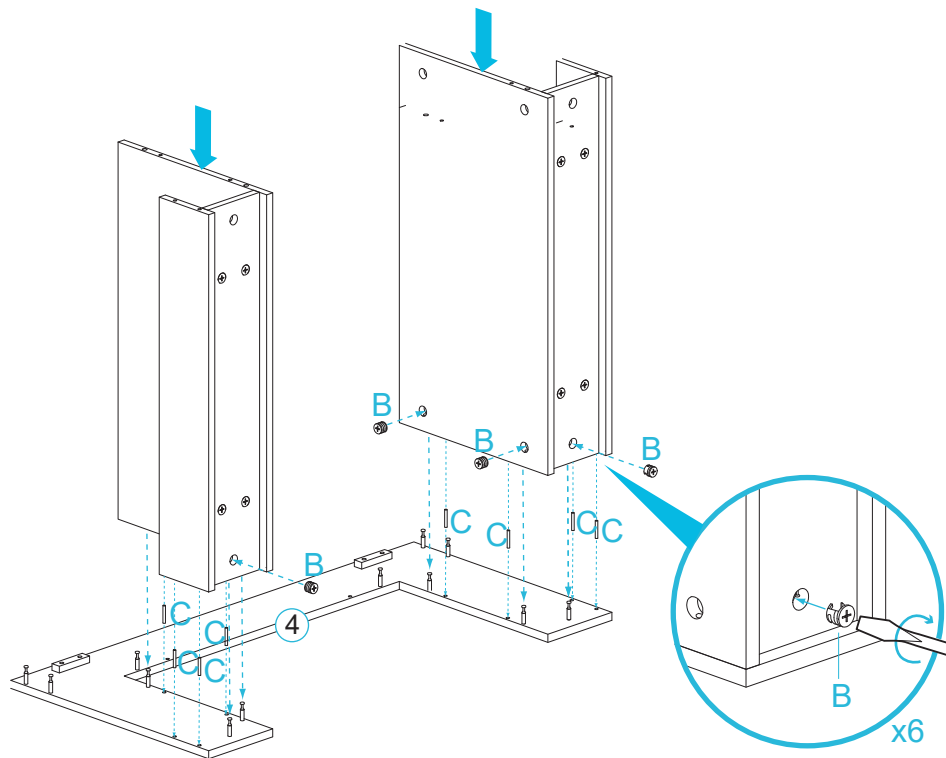
Screw in 2x bolts (A) and insert 2x dowels (C) into holes in each of the panels [1] and [3]. Slot together with the rest of panel [2] as shown. Place locking 4x nuts (B) into holes in the panel and tighten with screwdriver. Repeat step.

Activity Play Table

Assembly Instructions

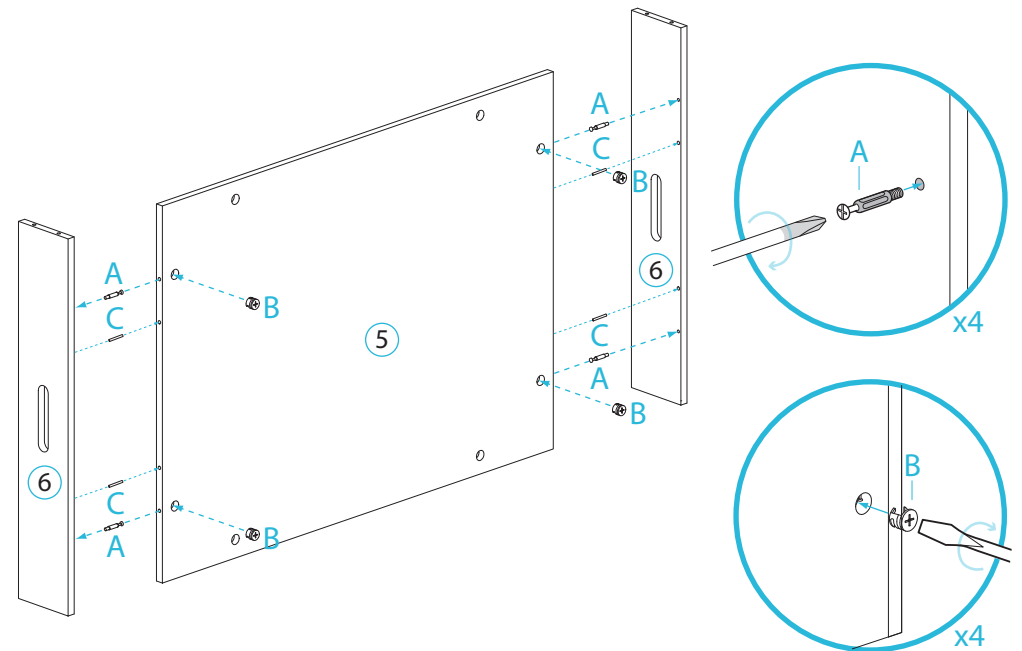
mocka

3



Slot both the components assembled in the previous step together with one panel [4]. Place 6x locking nuts (B) and 8x dowels (C) into holes in the panels as shown and tighten with screwdriver.

4

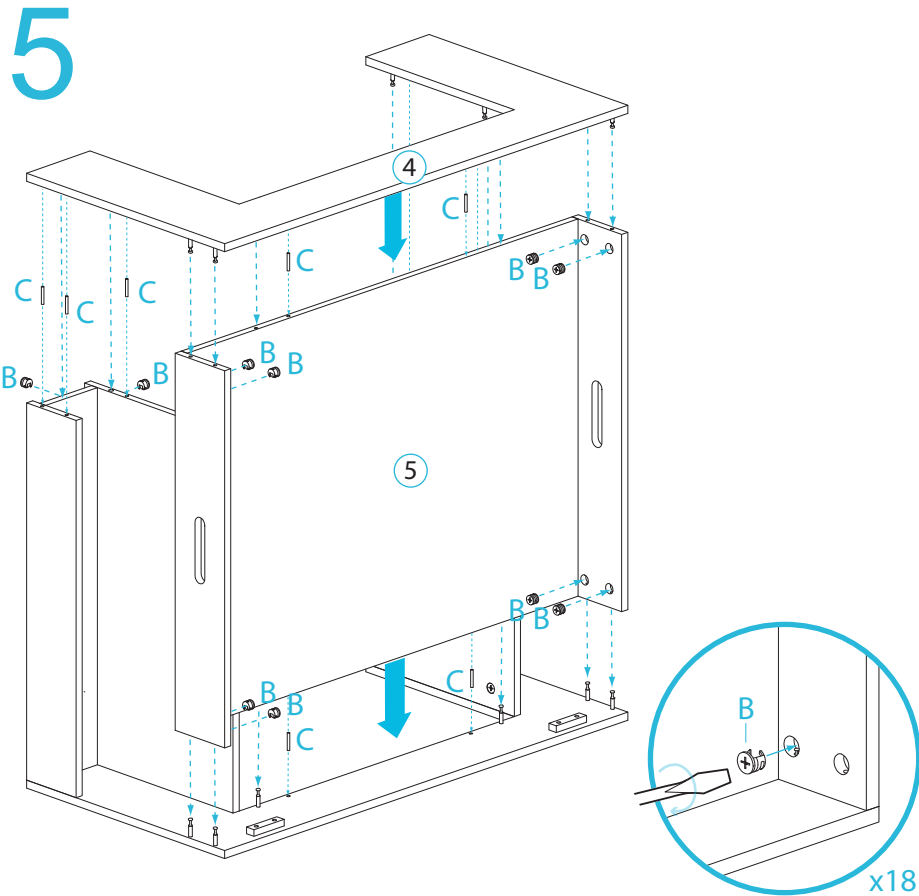


Screw in 2x bolts (A) and insert 2x dowels (C) into holes in each of panels [6]. Slot together with the table panel [5] as shown. Place locking 4x nuts (B) into holes in the panel [5] and tighten with screwdriver.

Activity Play Table

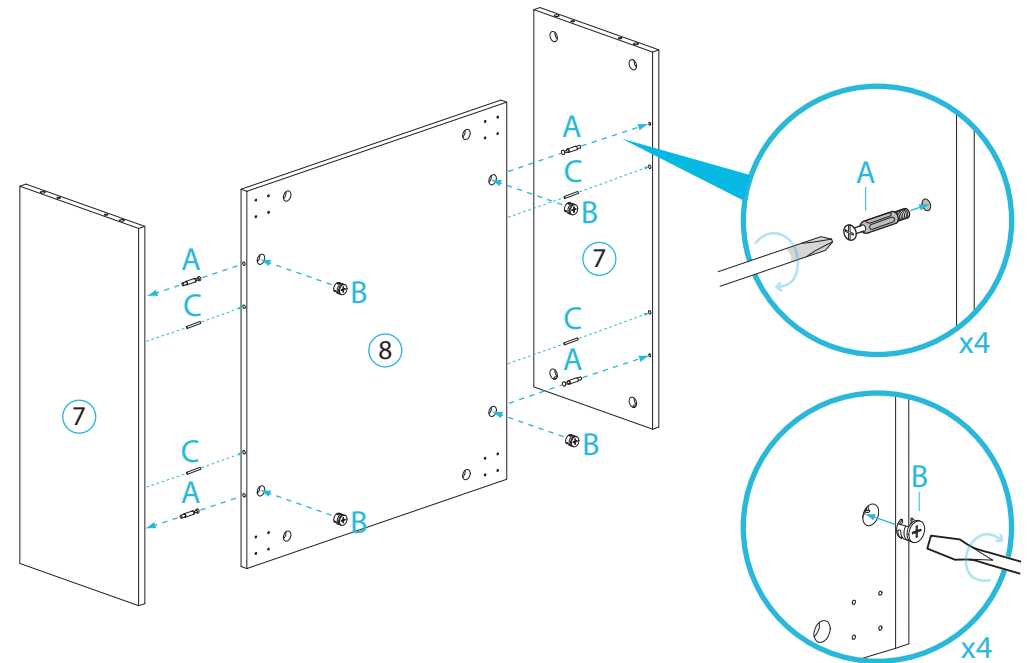
Assembly Instructions

mocka



Slot the tray together onto the rest of the table structure as shown. Place 6x locking nuts (B) and 4x dowels (C) into holes. Insert 8x dowels (C) into the top and slot on side panel [4]. Fasten with 12x locking nuts (B) and tighten with a screwdriver.

6 Drawer



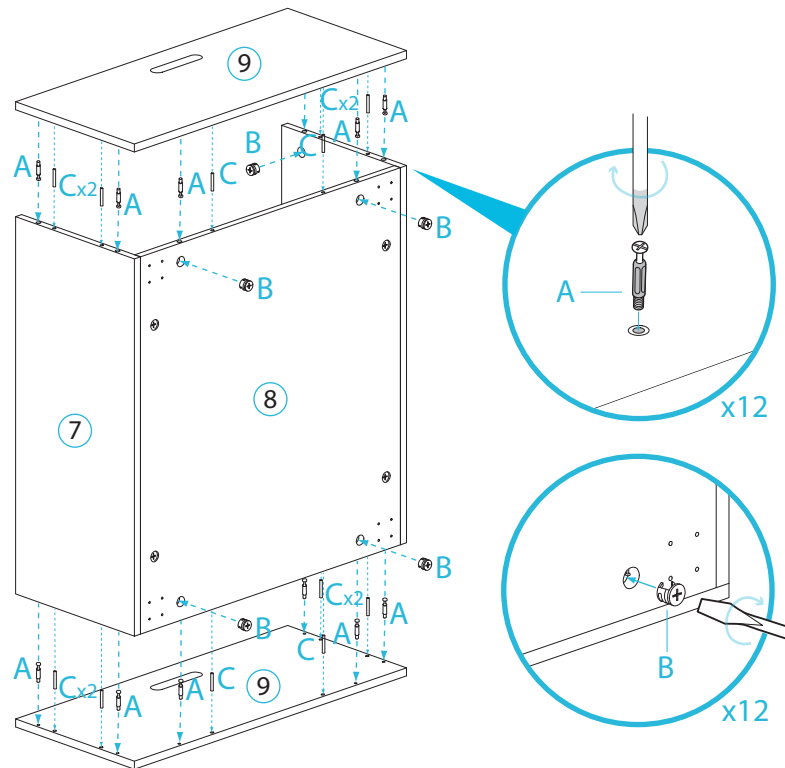
To assemble the drawers first screw 2x bolts (A) and insert 2x dowels (C) into each of the panels [7]. Fit together with panel [8] as shown. Secure using 4x locking nuts (B) and fasten with a screwdriver.

Activity Play Table

Assembly Instructions

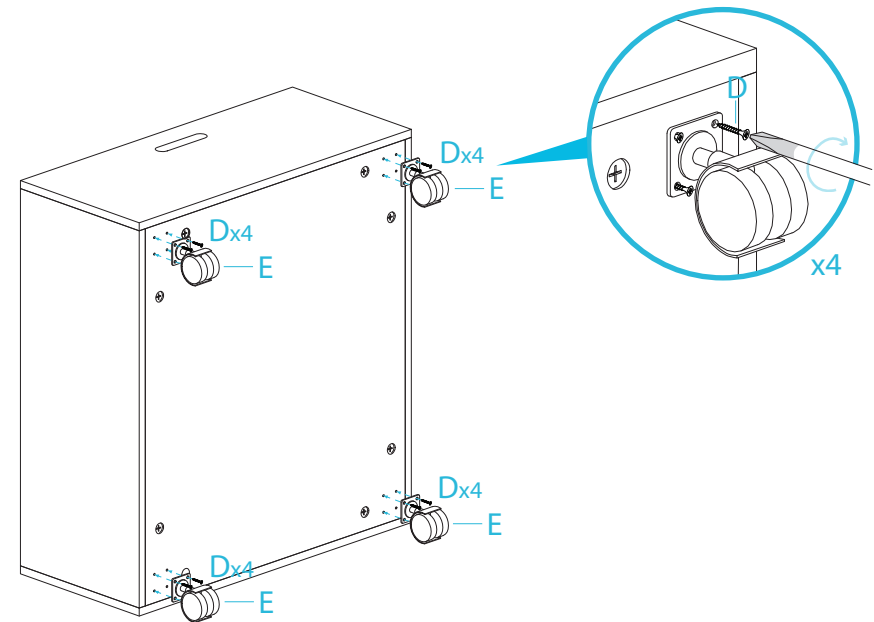
mocka

7 Drawer



Attach the sides by screwing 6x bolts (A) and inserting 6x dowels (C) into each of the panels [9]. Slot both panels [9] down into holes in panels [7] and [8]. Secure using 12x locking nuts (B) and fasten with a screwdriver.

8 Drawer



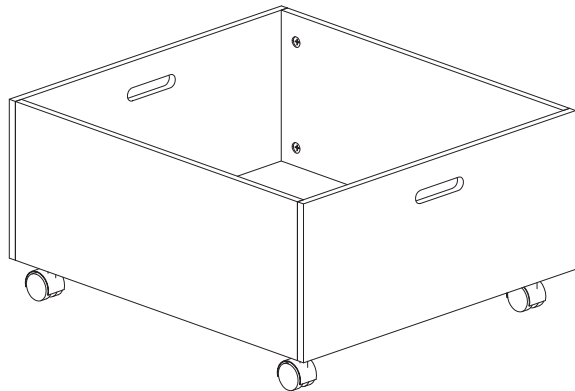
Attach 4x wheels (E) in position to the base of the drawer unit using 4x screws (D) with each wheel piece. Tighten all screws securely with a screwdriver.

Activity Play Table

Assembly Instructions

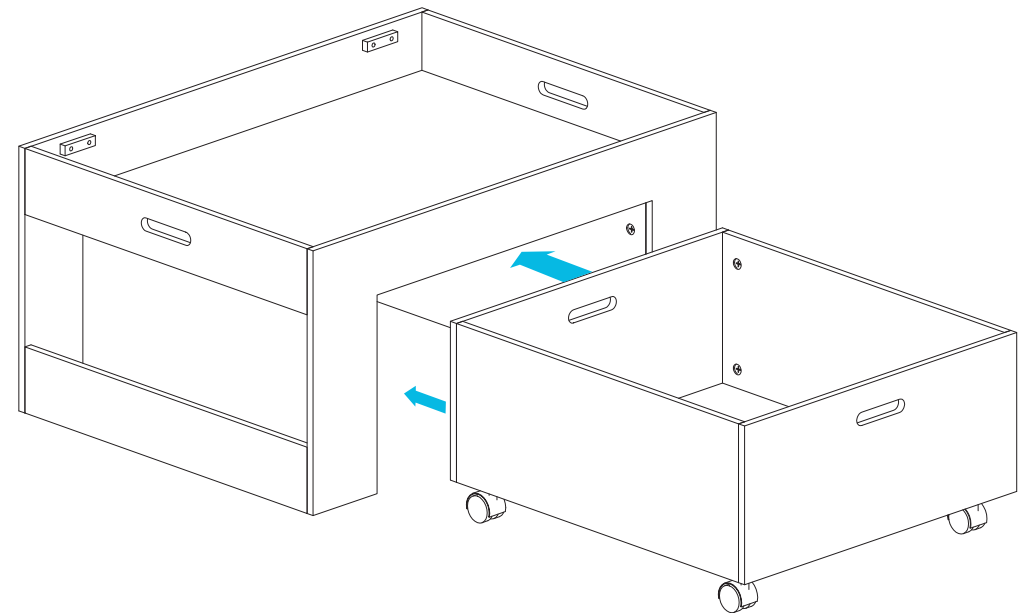
mocka

9 Drawer



The drawer assembly is all done! Flip the drawer up onto its wheels as shown, and follow on to final steps to complete assembly of the Activity Play Table.

10



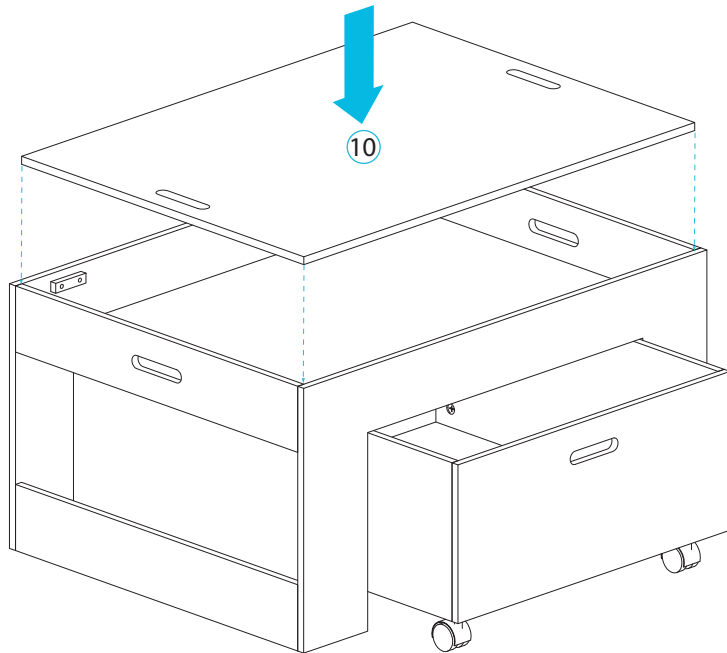
Slide the completed drawer under the Activity Play Table. Finally check all screws and locking nuts are securely fastened with a screwdriver before use.

Activity Play Table

Assembly Instructions

mocka

11



Place the lid [10] over the Activity Play Table when it's not in use. You're done, enjoy!