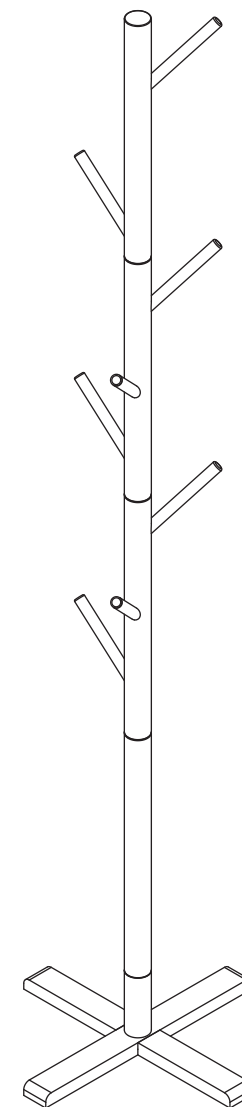
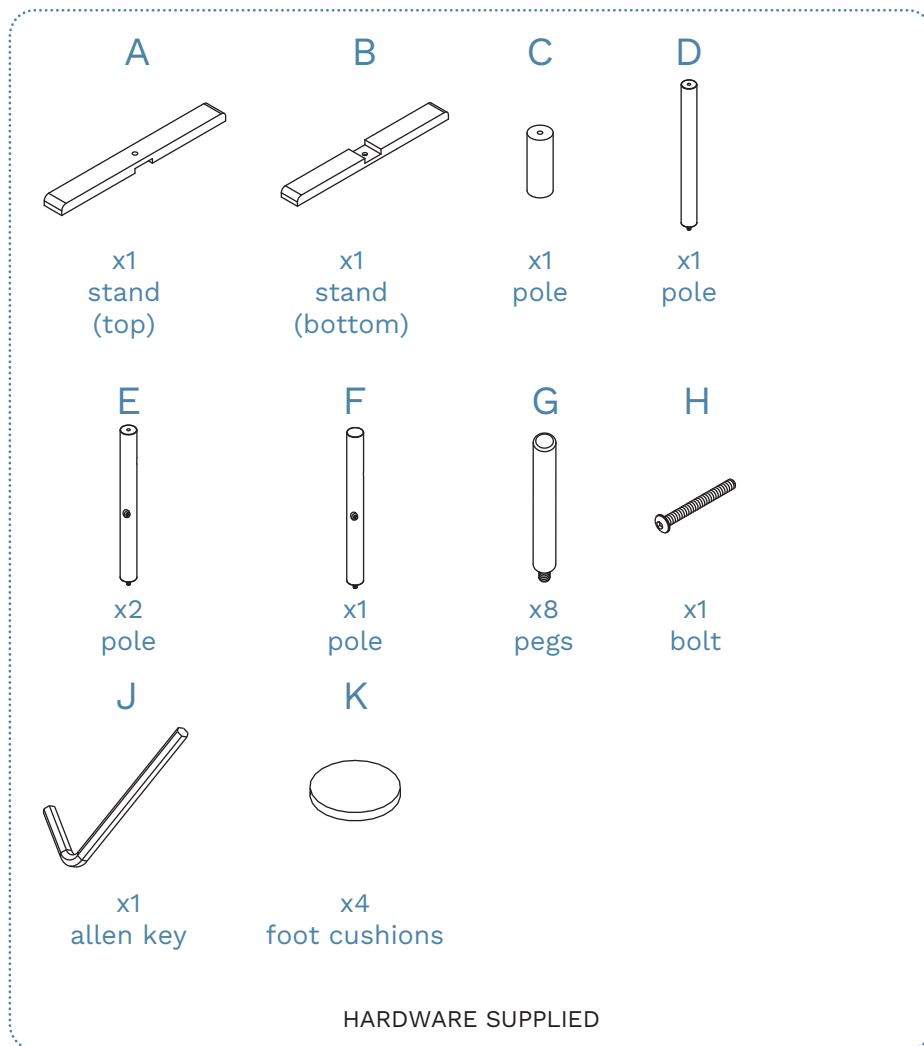


# Mocka Freestanding Coat and Hat Stand

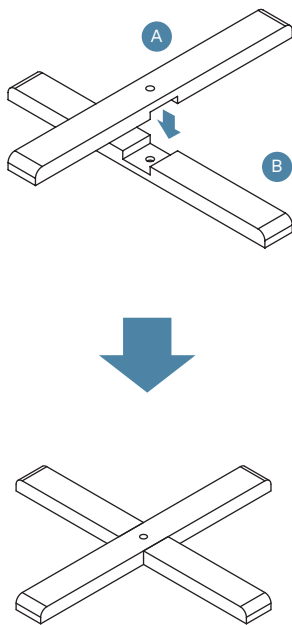
Thank you for purchasing Mocka Freestanding Coat and Hat Stand. Please follow the manufacturer's assembly instructions in detail.



**Mocka.**

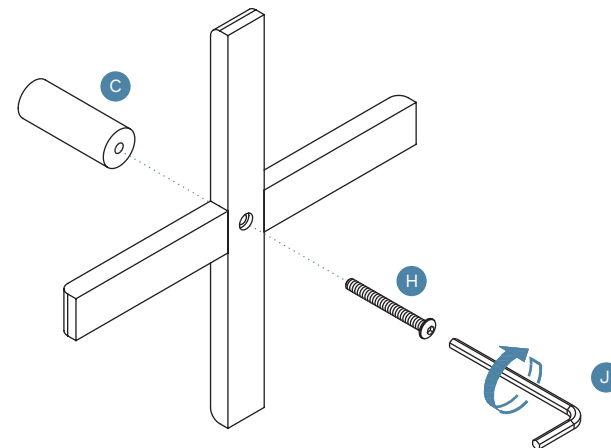
# Mocka Freestanding Coat and Hat Stand

1



Slide together 1 x stand (A) and 1 x stand (B) as shown.

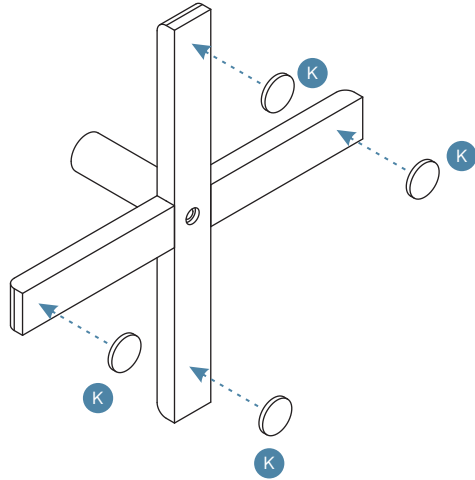
2



Attach 1 x pole (C) to assembled frame and secure with 1 x bolt (H). Tighten with an Allen Key (J).

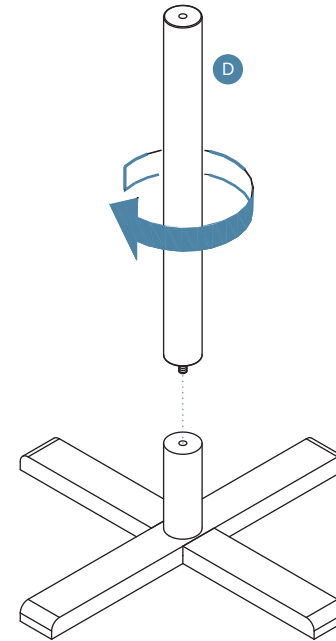
# Mocka Freestanding Coat and Hat Stand

## 3



Please clean the wood before you paste the plastic pieces onto the base. Attach 4 x feet cushions (K) to assembled frame as shown.

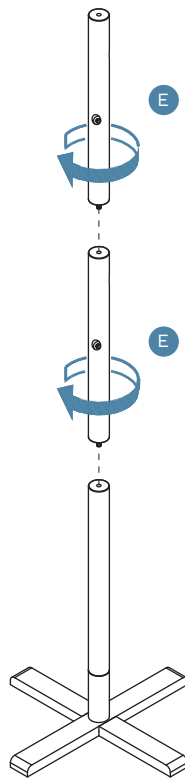
## 4



Screw 1 x pole (D) into assembled frame as shown.

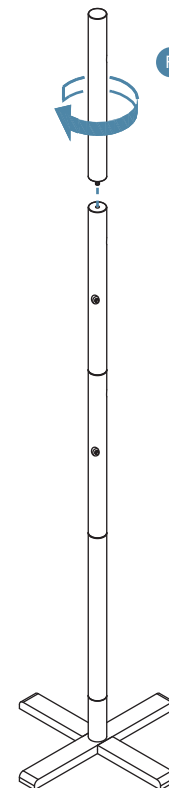
# Mocka Freestanding Coat and Hat Stand

## 5



Screw 2 x poles (E) into assembled frame as shown.

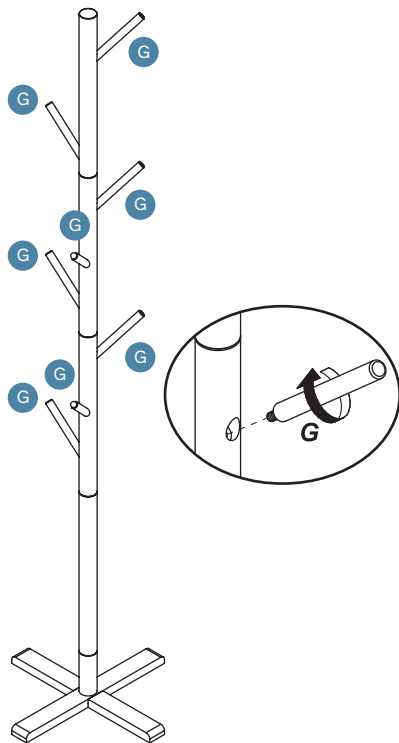
## 6



Screw 1 x pole (F) into assembled frame as shown.

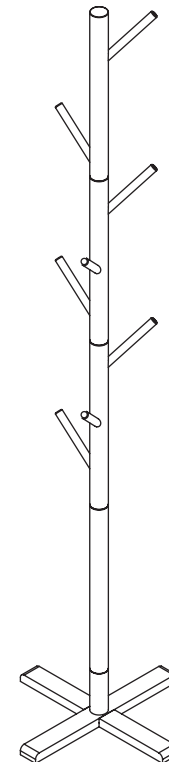
# Mocka Freestanding Coat and Hat Stand

7



Attach 8 x pegs (G) into assembled frame as shown.

8



Once assembled lift furniture into place, do not drag. Ensure unit is balanced and steady before use. You're done, enjoy!