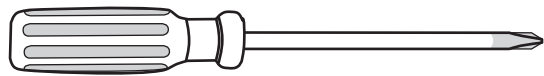
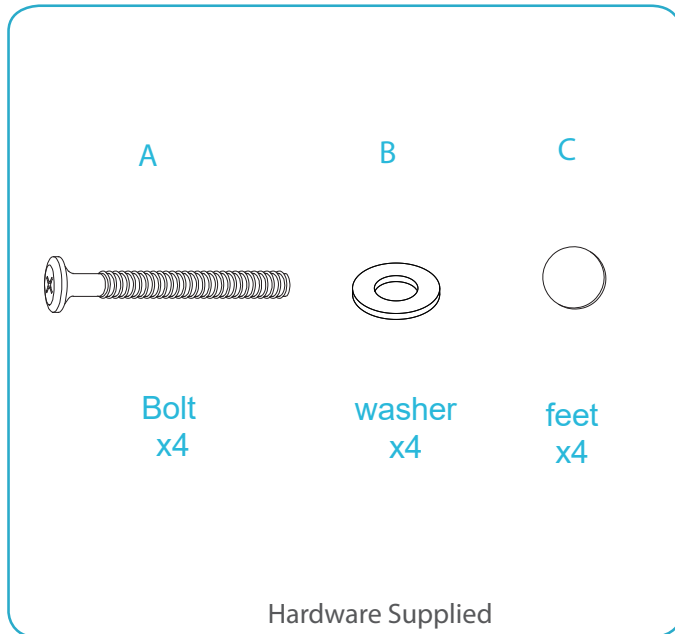


Olwyn Coffee Table

Assembly Instructions

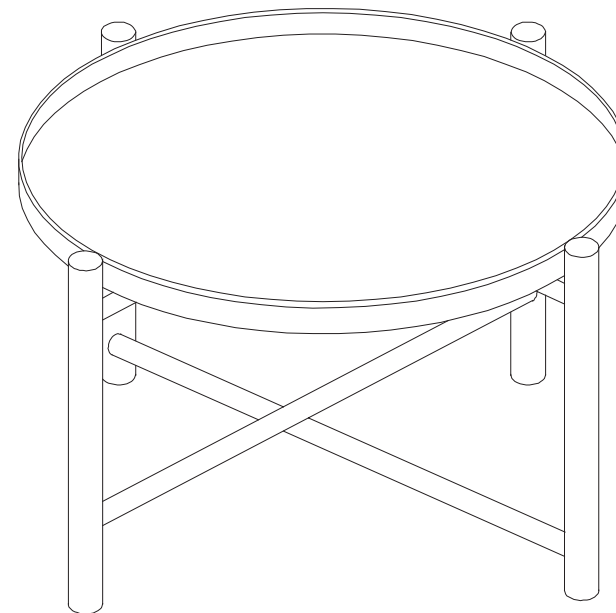
Thank you for your purchase.
Please follow the instructions below for correct assembly.

mocka



Phillips screwdriver required

For quicker assembly, we recommend the use of a power drill on a low-speed setting.



*We recommend using a Flathead screwdriver to tighten all locking nuts 100% before first use.
Please clear any loose wood from the locking nut holes before inserting the nut to ensure it locks 100%.

Olwyn Coffee Table

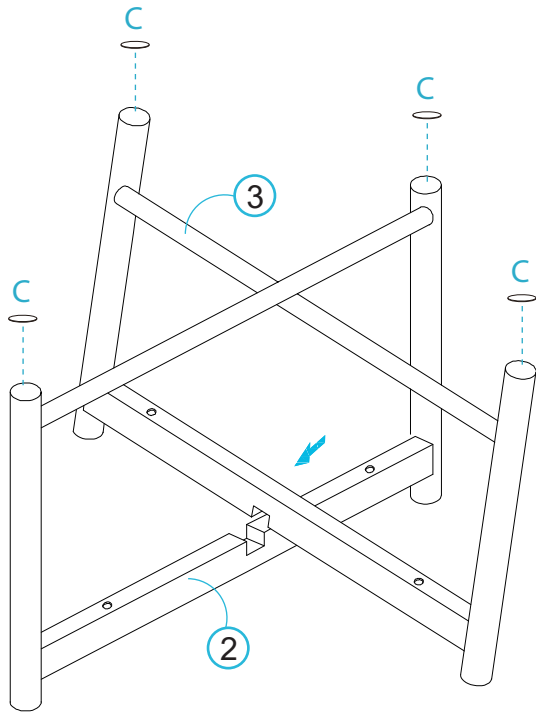
Assembly Instructions

Thank you for your purchase.

Please follow the instructions below for correct assembly.

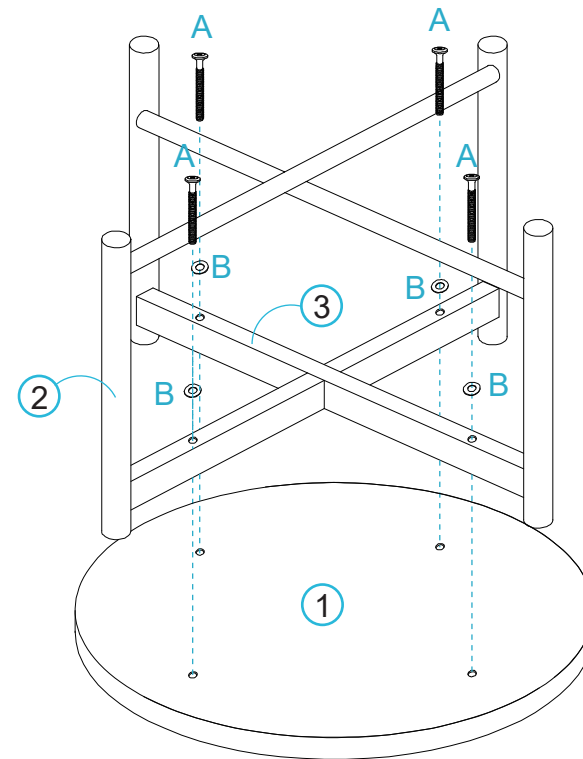
mocka

1



Screw the legs into the brackets as shown. Attach 4x feet (C) to the bottom of the legs. Slide parts [2] between the grooves on parts [3]. Tighten with a screwdriver.

2



Attach parts [2] and [3] to parts [1] with 4 x bolt (A) and secure with 4 x washers (B). Tighten with a screwdriver.