
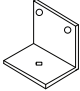




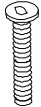

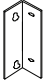
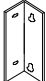
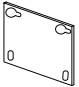


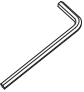
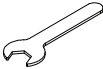


Peyton Bed - Queen

Assembly Instructions

Thank you for your purchase.
Please follow the instructions below for correct assembly.

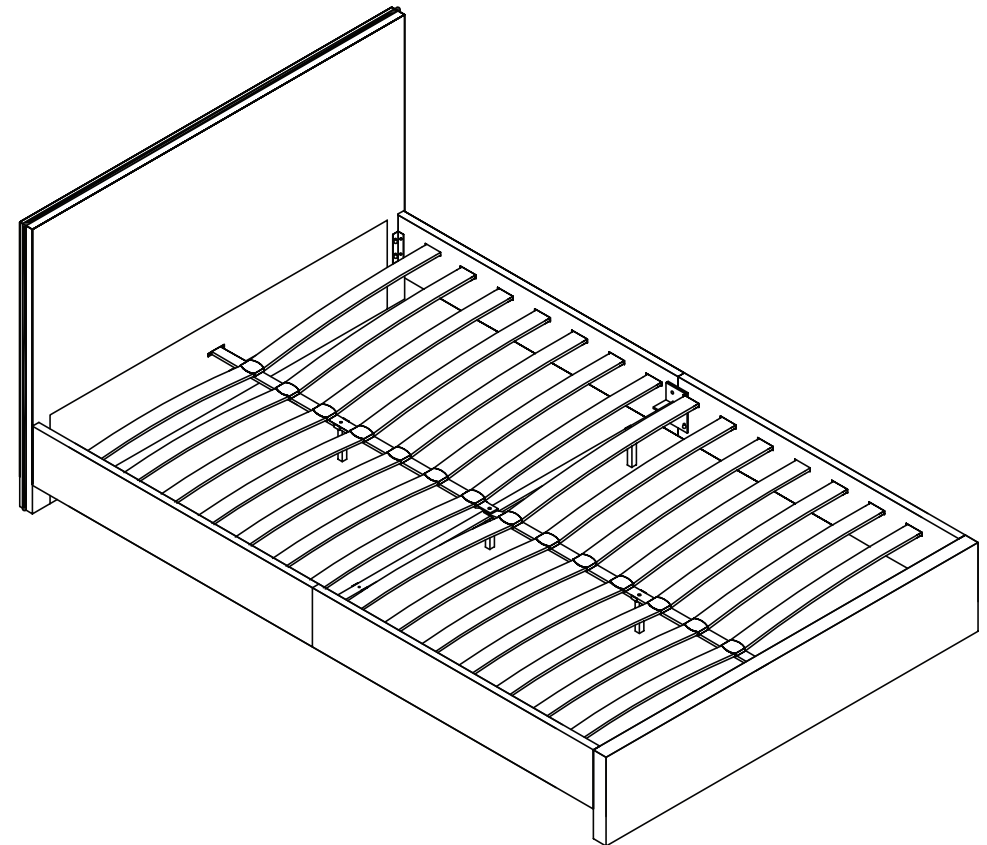
mocka

A	B	C	D	E
				
double cap x14	connector x2	25mm bolt x8	spring washer x8	washer x12
F	G	H	I	J
				
nut x2	35mm bolt x1	25mm bolt x6	left plate x2	right plate x2
K	L	M	N	O
				
connector x2	20mm bolt x16	small allen key x1	large allen key x1	spanner x1

Hardware Supplied

IMPORTANT NOTICE

When moving the bed, please lift off the ground with two people. DO NOT drag, push or pull the bed across the floor, as this can result in damage to the supporting leg.

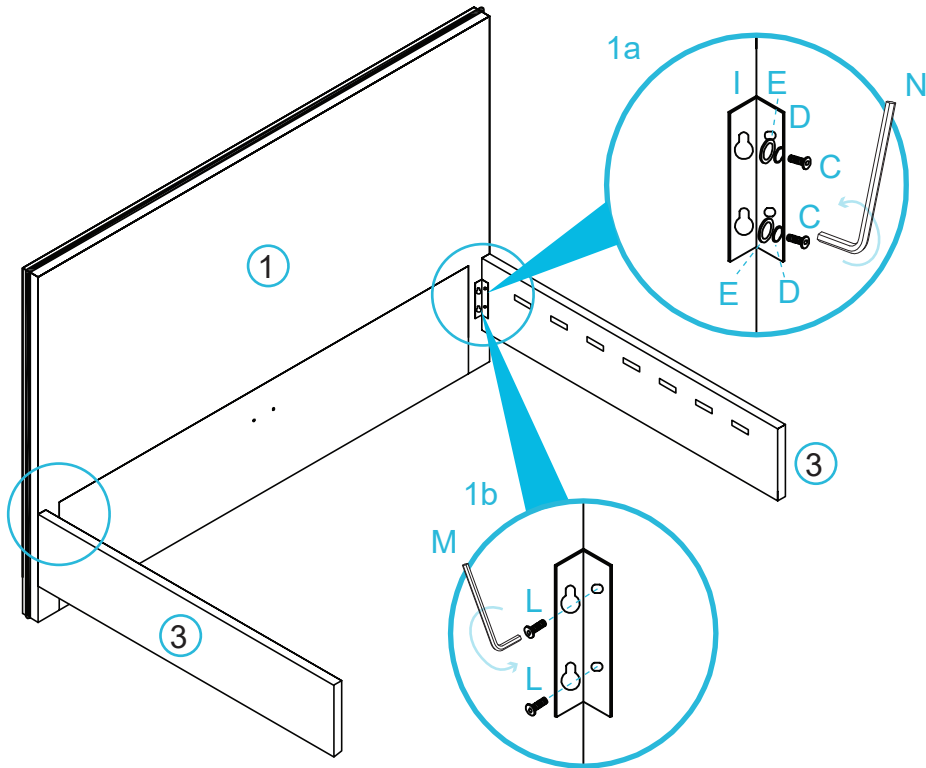


Peyton Bed - Queen

Assembly Instructions

mocka

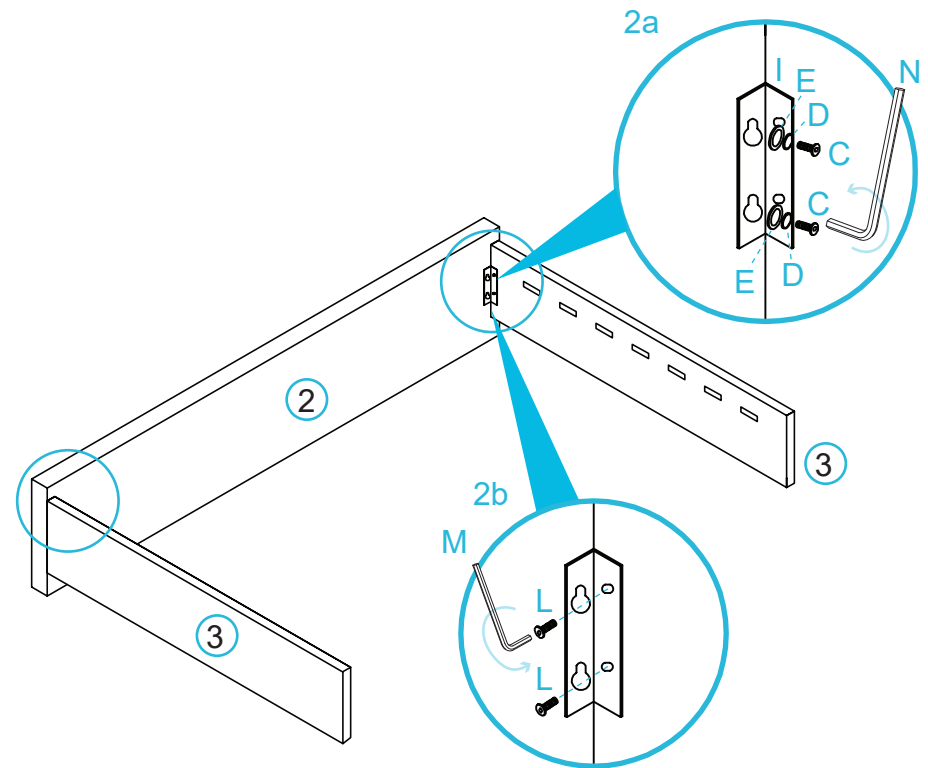
1



1a: Attach 1x left plate (I) and 1x right plate (J) to panel [1] and secure with 4x spring washers (D), 4x washers (E) and 4x 25mm bolts (C). Tighten with Allen Key (N). Do not completely tighten the screws until the complete frame is built.

1b: Attach 2x panels [3] to panel [1] as shown and secure with 4x 20mm bolts (L). Tighten with Allen Key (M).

2



2a: Attach 1x left plate (I) and 1x right plate (J) to panel [2] and secure with 4x spring washers (D), 4x washers (E) and 4x 25mm bolts (C). Tighten with Allen Key (N).

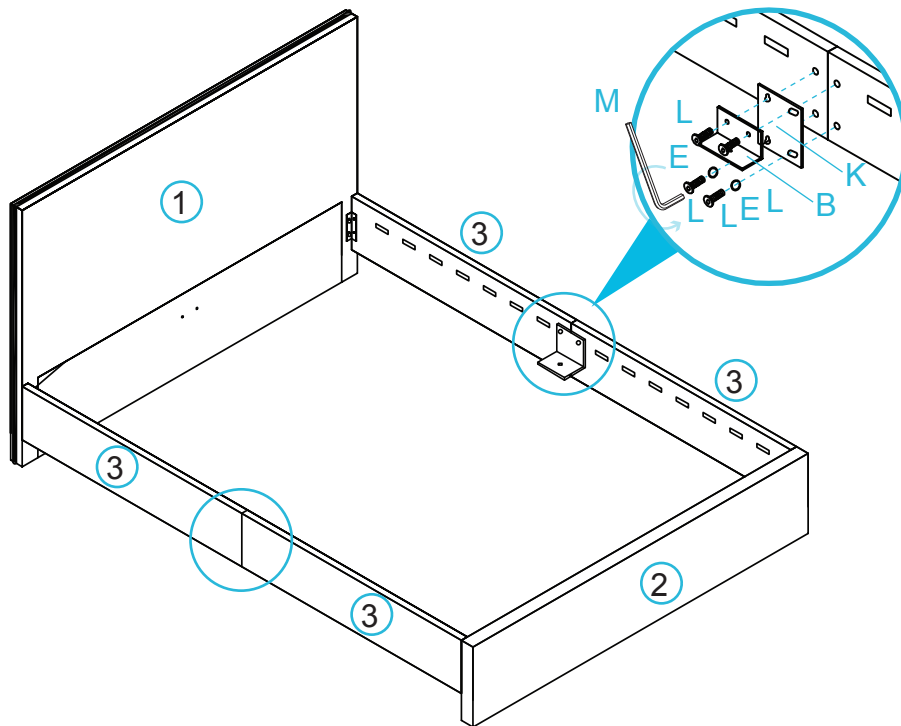
2b: Attach 2x panels [3] to panel [2] as shown and secure with 4x 20mm bolts (L). Tighten with Allan Key (M).

Peyton Bed - Queen

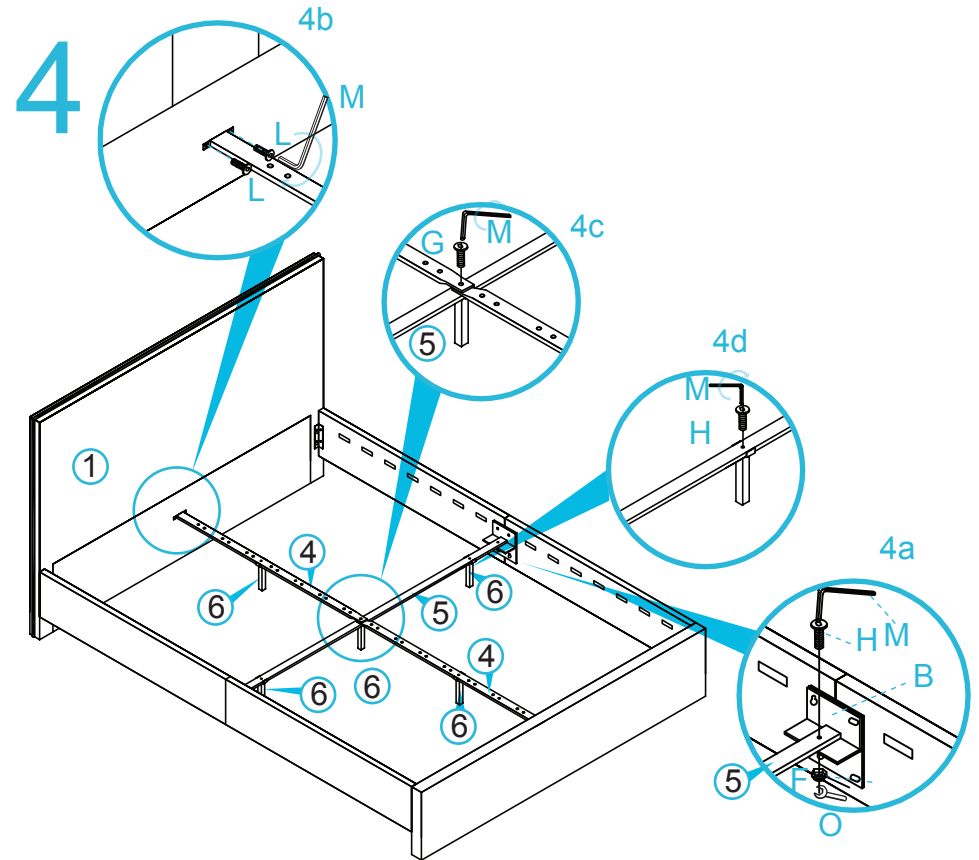
Assembly Instructions

mocka

3



Join the 4x side panels [3] together with 2x connectors (B) and 2x connectors (K) and secure with 4x washers (E) and 8x 20mm bolts (L). Tighten with Allen Key (M).



4a: Insert panel [5] and sit on top of the connector (B) and secure with 2x 25mm bolts (H) and 2x nuts (F). Tighten with Allen Key (M) and spanner (O).

4b: Attach 2x panel [4] to panels [1] and [2] and secure with 4x 20mm bolts (L) as shown. Tighten with Allen Key (M).

4c: Attach panels [5] and [4] in the middle with 1x support leg [6] and secure with 1x 35mm bolt (G). Tighten with Allen Key (M).

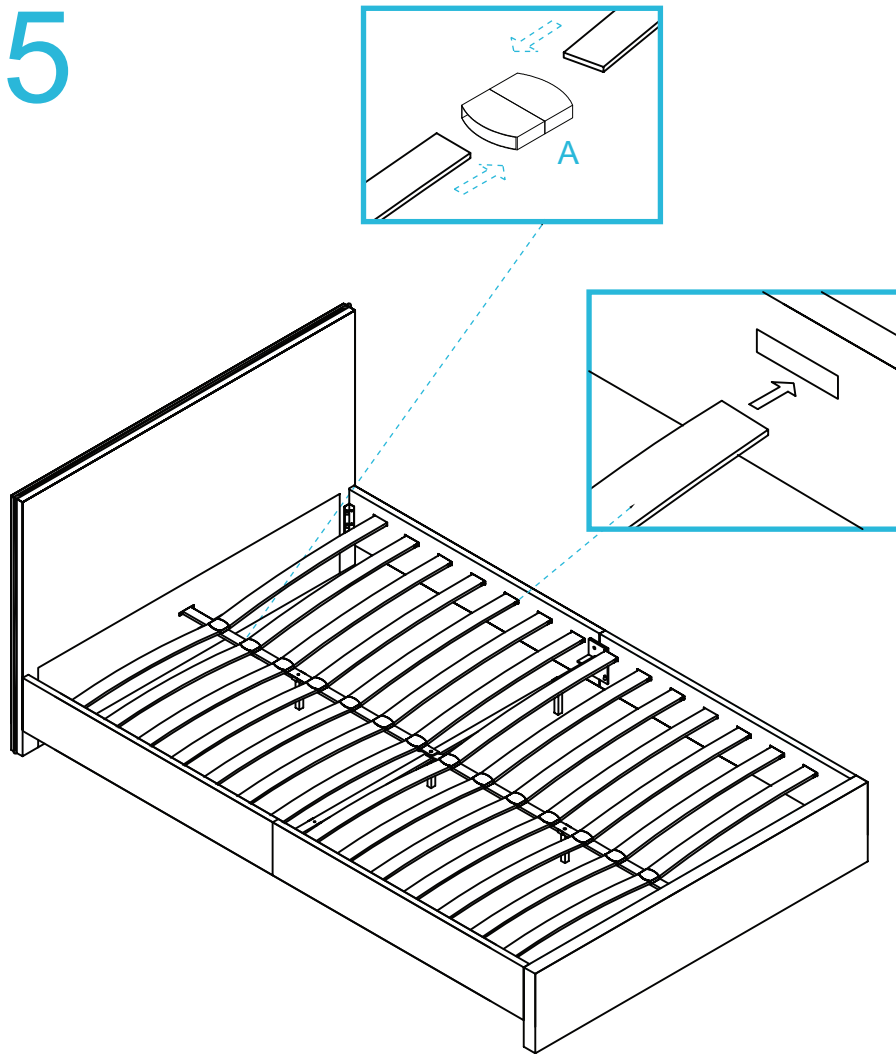
4d: Attach 4x support legs (6) to panels [4] and [5] as shown and secure with 4x 25mm bolts (H). Tighten with Allen Key (M).

Peyton Bed - Queen

Assembly Instructions

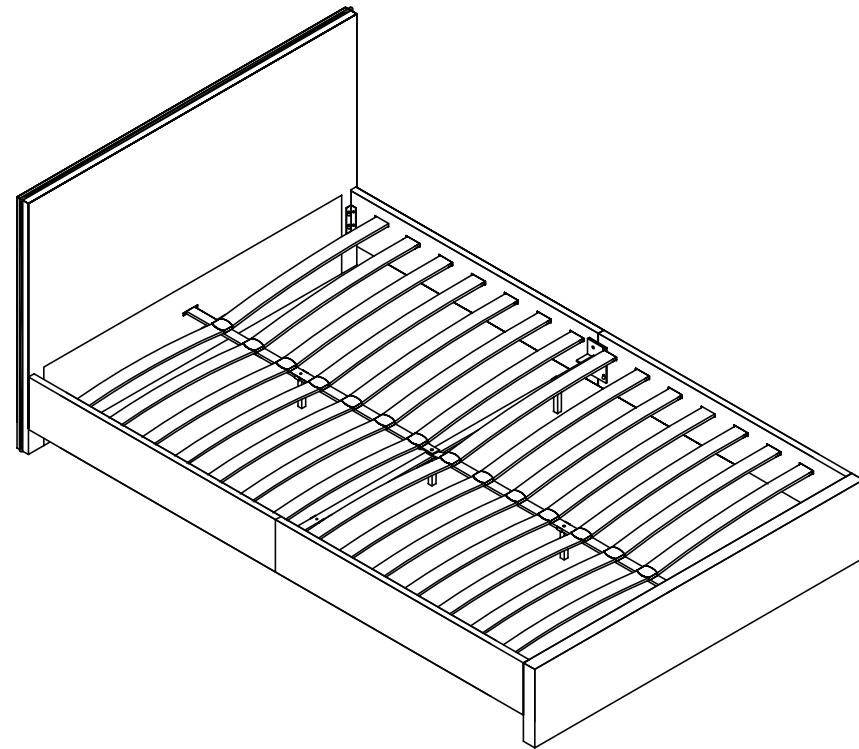
mocka

5



Join the bed planks together in the middle of the frame using 14x double caps (A). Insert the end of the planks into the bed frame as shown and attach the double caps (A) into panel [4]. Make sure the double caps (A) click securely into place.

6



Lift the bed into the desired location, do not drag, You're done, enjoy!