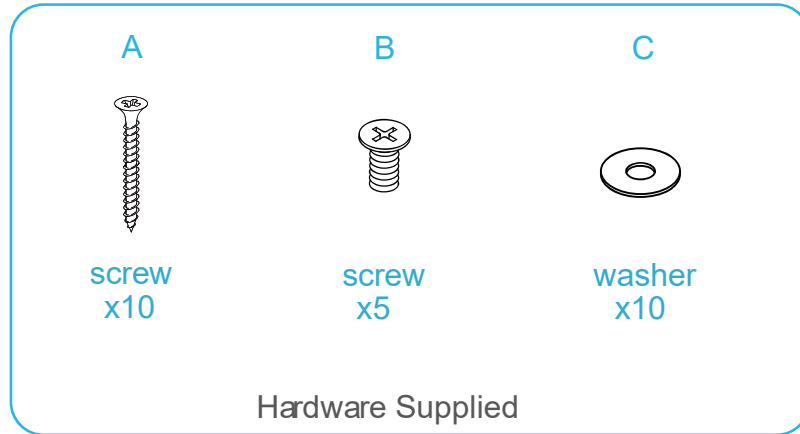


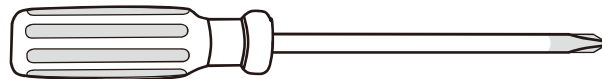
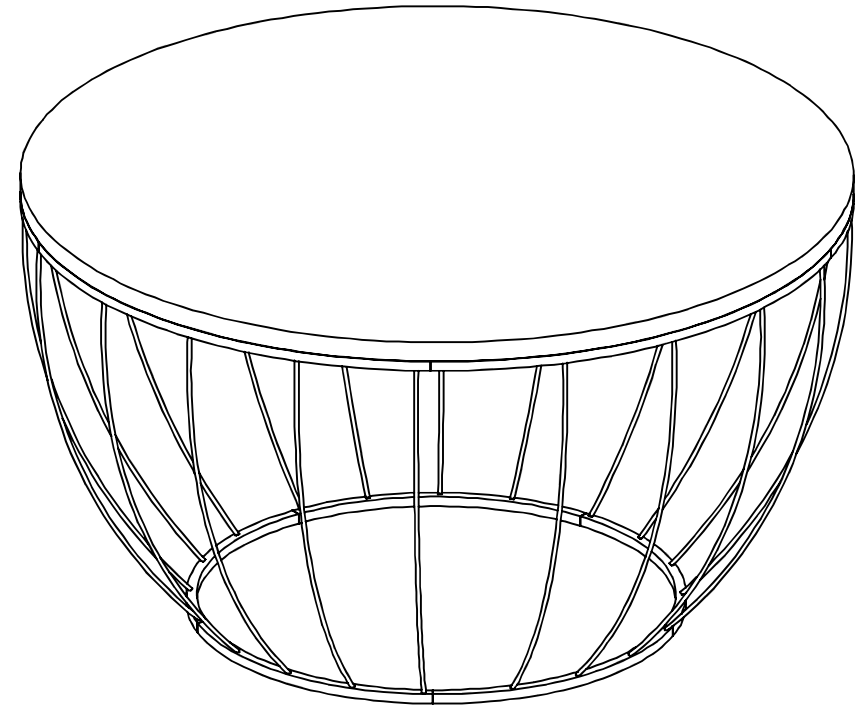
Tennyson Coffee Table

Assembly Instructions

Thank you for your purchase.
Please follow the instructions below for correct assembly.



mocka



Phillips screwdriver required.

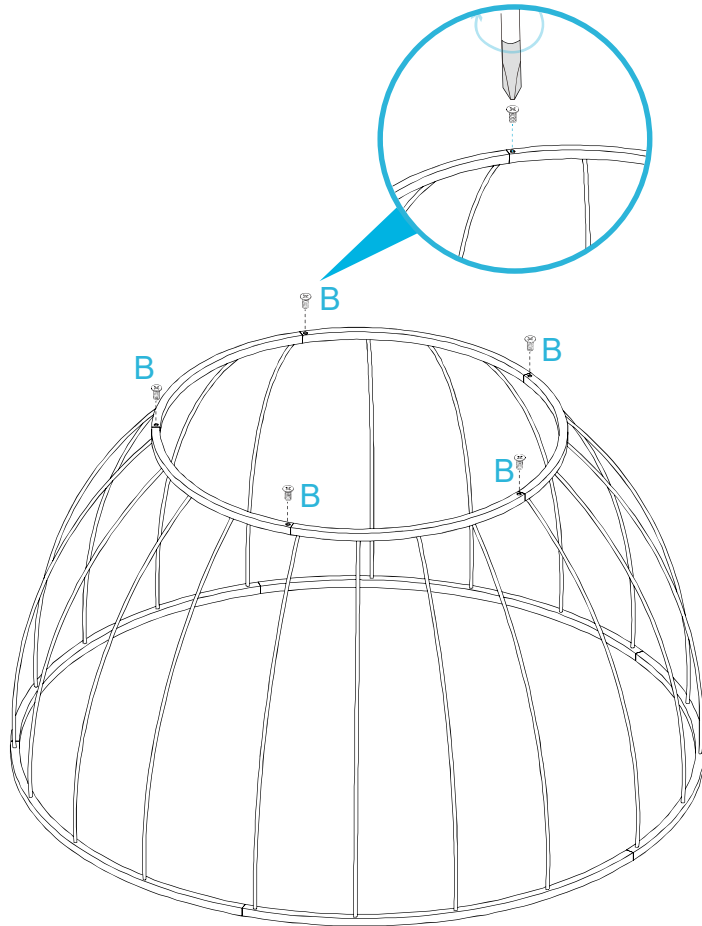
For quicker assembly, we recommend the use of a power drill on a low-speed setting.

Maximum weight 10kgs

Tennyson Coffee Table

Assembly Instructions

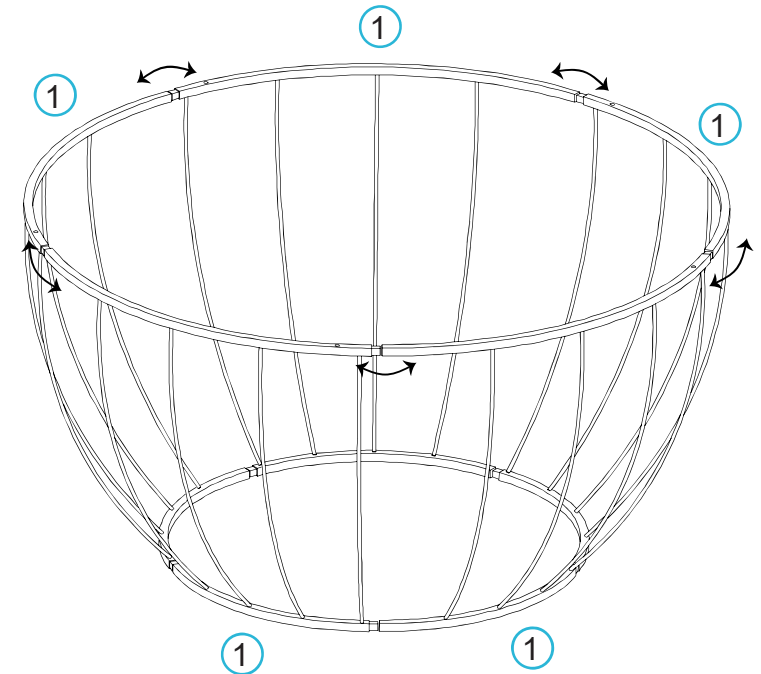
1



Secure as shown with 5x screws (B). Tighten with a screwdriver.

mocka

2



Slide and lock in metal panels [1] as shown.

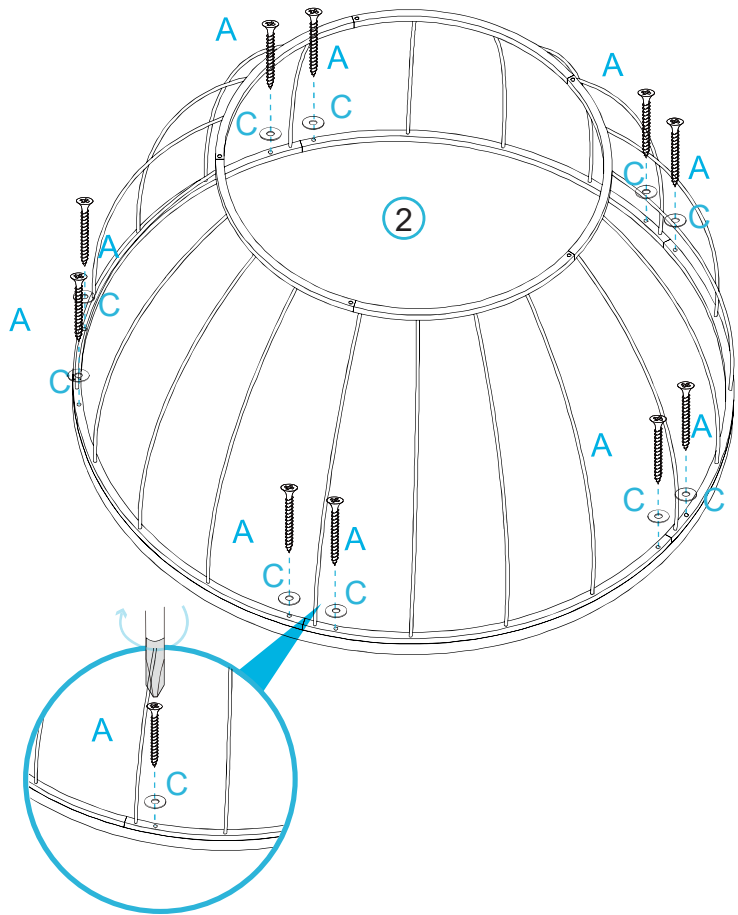
2

Tennyson Coffee Table

Assembly Instructions

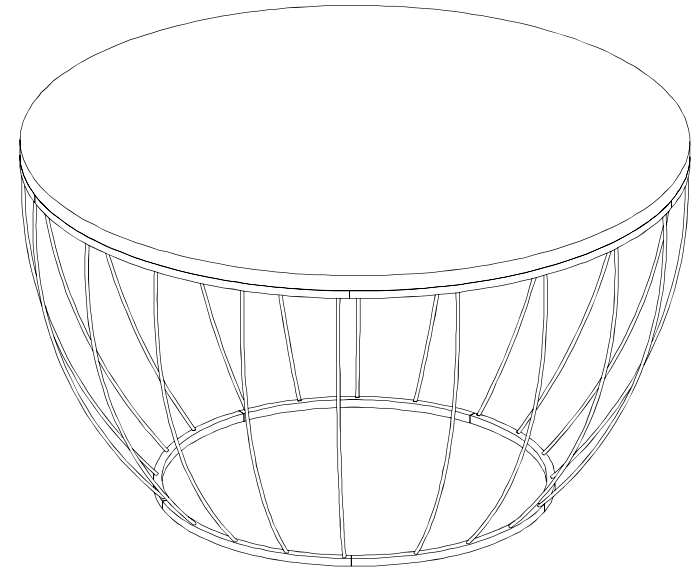
mocka

3



Lay metal base on top of panel [2] and secure with 10 x screws (A) and 10 x washers (C). Tighten with a screwdriver.

4



Flip over and lift the table into place, do not drag. You're done, enjoy!