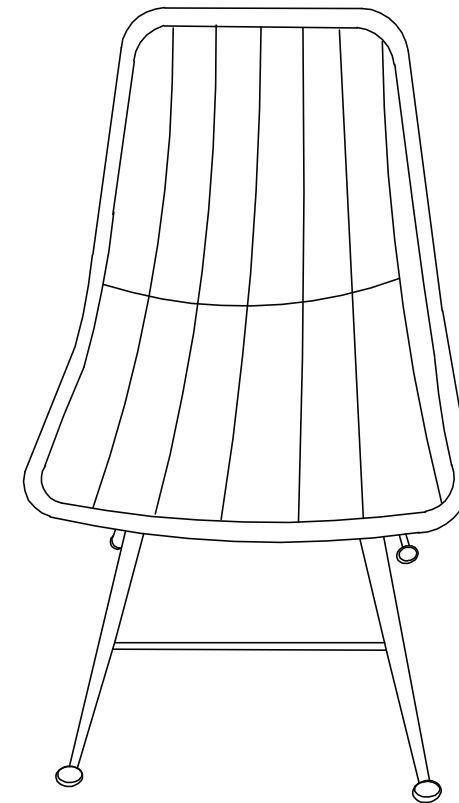
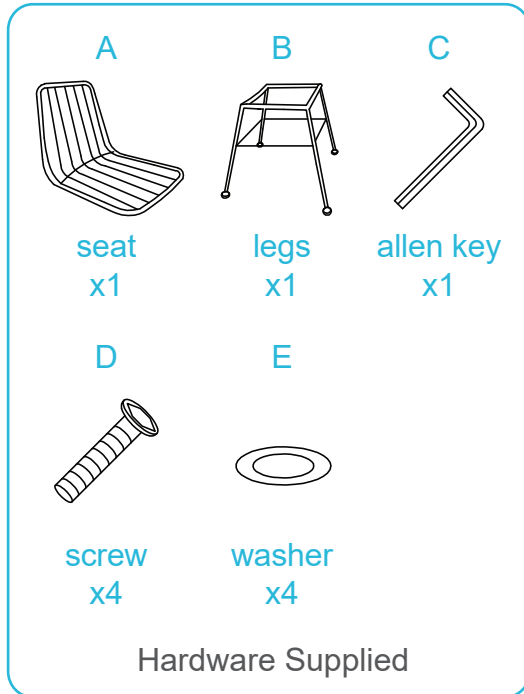


Xavier Dining Chair

Assembly Instructions

Thank you for your purchase.
Please follow the instructions below for correct assembly.

mocka

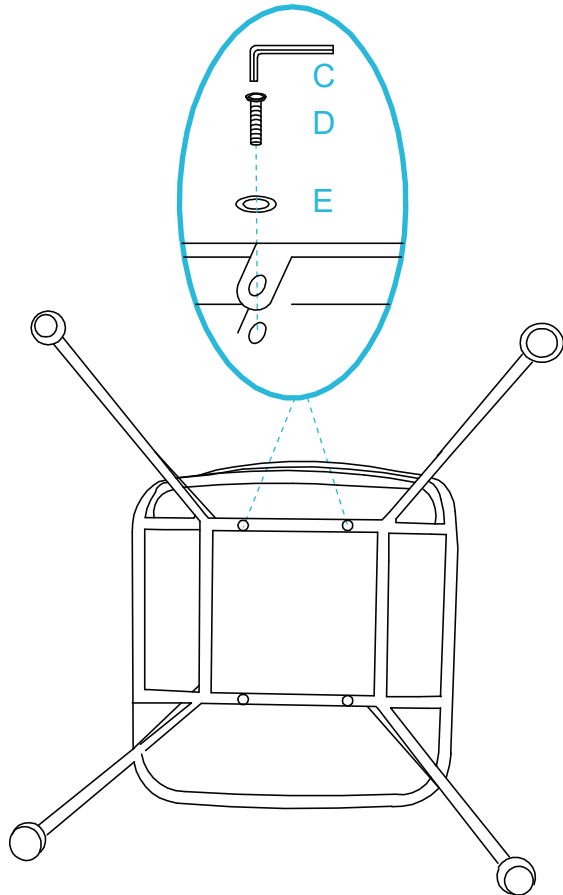


Xavier Dining Chair

Assembly Instructions

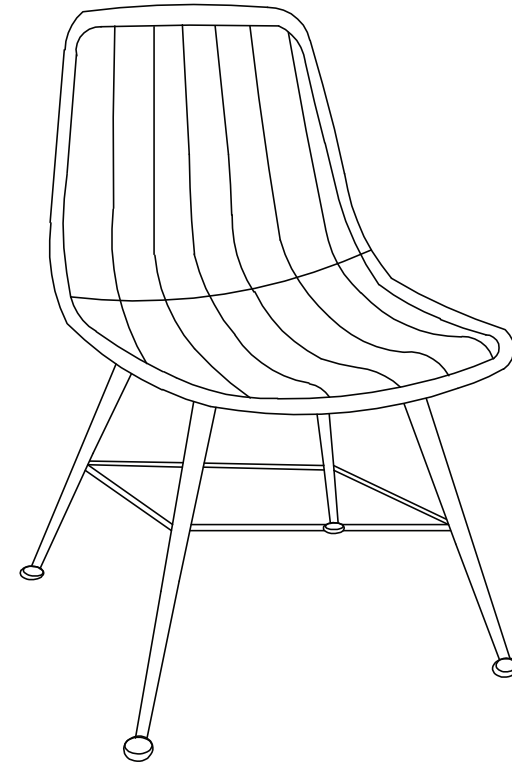
mocka

1



Attach 1 x seat (A) and 1 x legs (B) and secure with 4 x screws (D) and 4 x washers (E). Tighten with an Allen Key (C).

2



Once assembled lift furniture into place, do not drag. Ensure unit is balanced and steady before use. You're done, enjoy!